



Model Number	WX3-AL-TF-215TC-6-B-D-5-230 460-60
MFG PN	T215T5U6B
List Price	--

All data shown at HIGH voltage setting

Format | STD 3 Phase

Electrical Data		General Data	
Rated Motor Output Power	5 HP	Frame Size	215
Rated Motor Speed	1170 r/min	Enclosure	TEFC
Rated Motor Voltage (3 Phase)	230 460-60 Volts - HZ	Approximate Weight	--
Rated Motor Current	14.2/7.1 Amps	NEMA Design	A
Service Factor	1.25	IP Rating	56
KVA Code	J	Insulation Class	F
Nominal Efficiency	89.5 %	Tropicalization	YES
Nominal Power Factor	0.76 cosθ	Duty	Cont.
Full Load Torque Ft-Lb	22.3647696 Ft-Lb	Cable Entry	1.25
Temp Rise @ Full Load °C	--	Feet Removable	YES
Efficiency Level	IE3 - NEMA Premium	Double Drilled	NO

Load Data	RPM	Trq %FL	Current Amps	Mechanical Data	
Locked Rotor	-	240	48.76	Rated Ambient (°C)	40
Breakdown	-	290	-	Rated Altitude (M)	1000
Pull Up	-	186	-	Coating	7024 - Graphite Grey
125% of FL	1164.1	-	8.67	Shaft Grounding	NO
75% of FL	1180.6	-	5.807	Brake Voltage (DC)	--
50% of FL	1187.6	-	4.7009	Brake Torque (N-M)	--
No Load	--	-	3.5		

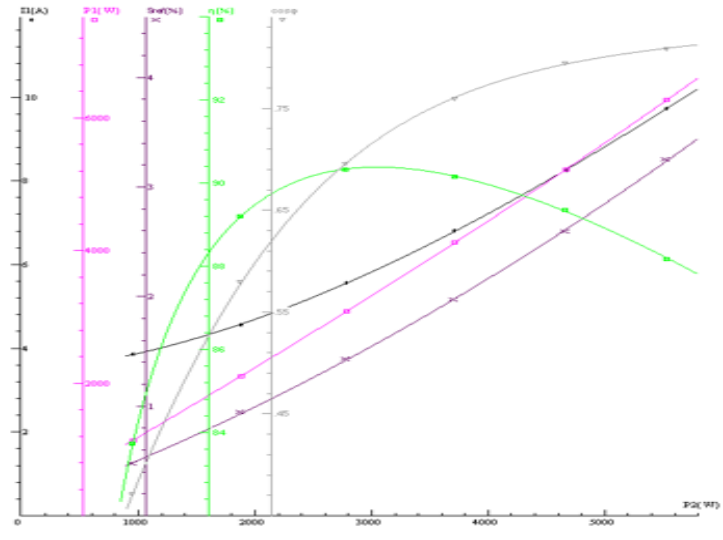
Hazardous Location	Class 1, Div2, Grp A,B,C,D		Moment of Inertia	-- kg.m2
			Noise Level	Per NEMA dB (A)

CT VFD Range	--	Loaded Torque Curves		--
P1 = INPUT POWER (KW), S = Slip (% of Sync RPM), η = Efficiency (%), cosφ = Power Factor				

Certifications	UL	CSA	DOE
File Numbers	323353	224693	096A
Wiring Diagram	3PH 9 Lead Dual Voltage		

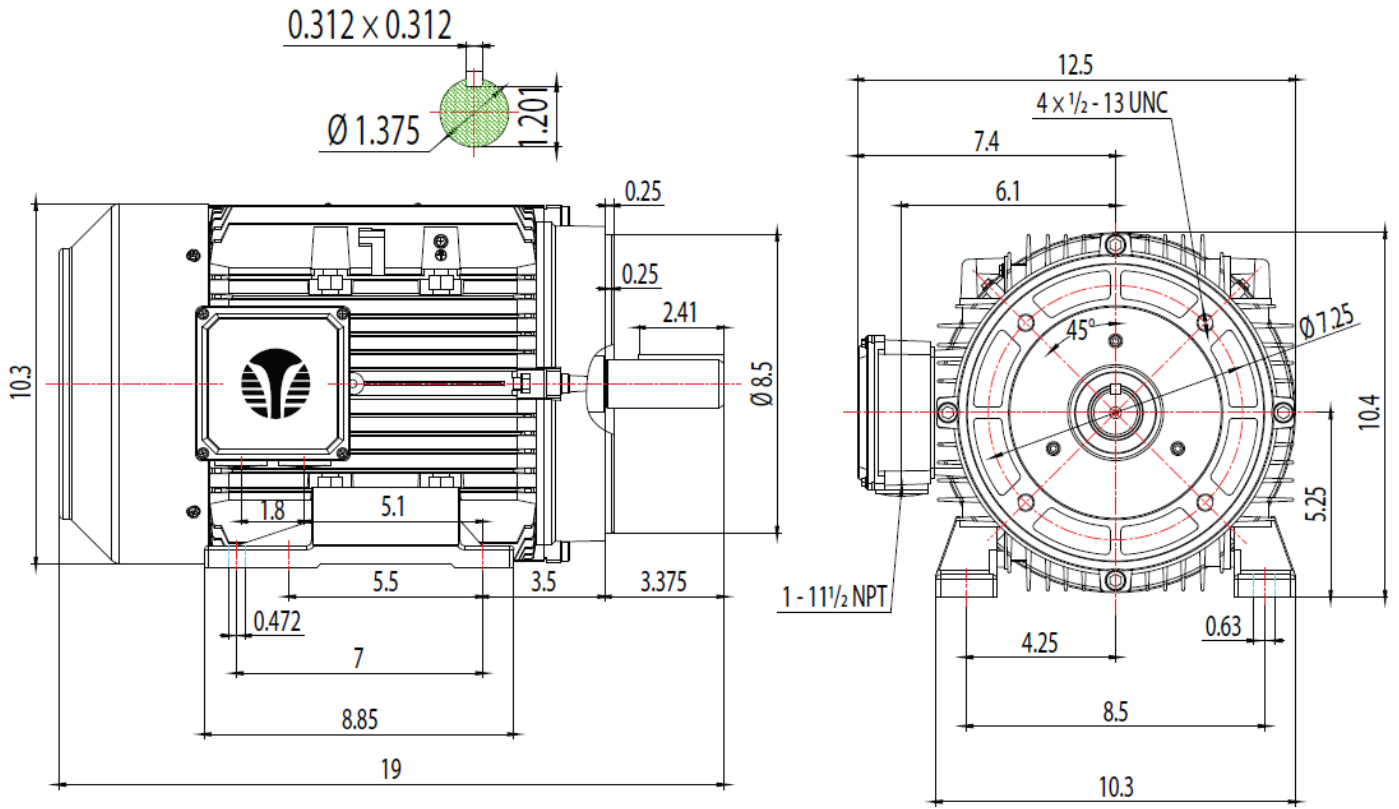
3 Phase - YY/Y - 9 Lead
 4,1 Blue / 5,2 White / 6,3 Org / 7 Yl / 8 Blk / 9 RD
 Cast Iron- 1,2,3 Top - 4,5,6,7,8,9 Bottom
 Aluminum - 4,5,6,8,9 Top - 1,2,3,7 Bottom


CONNECTIONS					
4	5	6	4	5	6
7	8	9	7	8	9
1	2	3	1	2	3
↑ LOW VOLTAGE			↑ HIGH VOLTAGE		



Model Number	WX3-AL-TF-215TC-6-B-D-5-230 460-60
MFG PN	T215T5U6B
List Price	--
Base Frame	WX-215TC-AL-TF

FRAME: 210TC	HP:	RPM:	PHASE: 3	VOLT: 208-230/460V	ENCL: TEFC	FREQ: 60 Hz	FLA:	LRA:
--------------	-----	------	----------	--------------------	------------	-------------	------	------



	MODEL NUMBER:	REV.	BY	DATE	CHANGES
	GX3-AL-TF-210TC	1			
	MFG PN:	2			
		3			
		4			
		5			
		6			
MATERIAL: ALUMINUM					
UNITS: INCH	BY: SSEE				
DRAWN: 12/17/2018					
WWW.TECHTOP.COM					