



**Model Number** WX3-AL-TF-215T-2-B-D-15-230|460-60

**MFG PN** T215T15U2B

**List Price** --

All data shown at HIGH voltage setting

Format STD 3 Phase

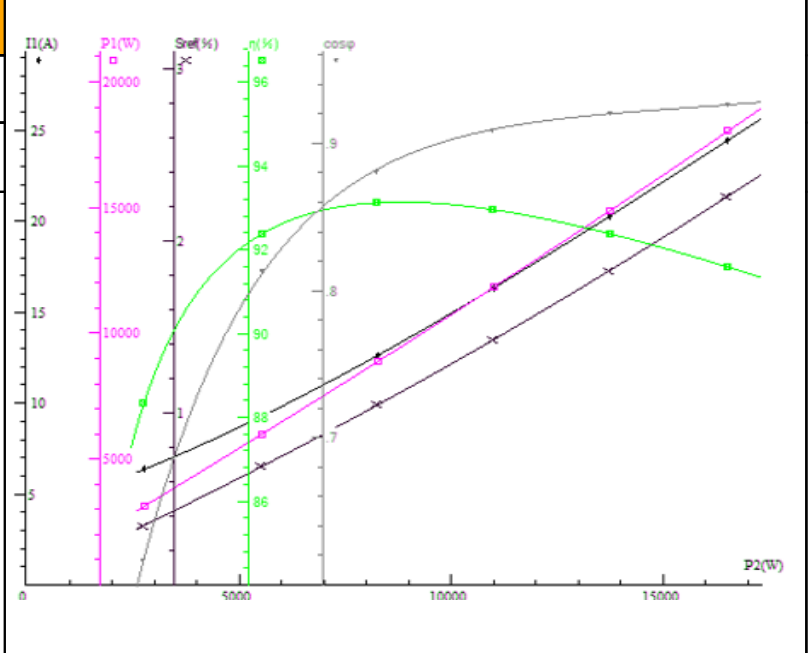
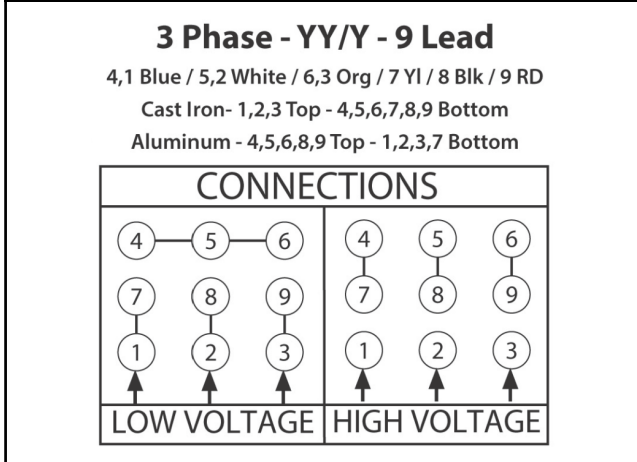
Electrical Data		General Data	
Rated Motor Output Power	15 HP	Frame Size	215
Rated Motor Speed	1170 r/min	Enclosure	TEFC
Rated Motor Voltage (3 Phase)	230 460-60 Volts - HZ	Approximate Weight	--
Rated Motor Current	14.2/7.1 Amps	NEMA Design	B
Service Factor	1.25	IP Rating	56
KVA Code	L	Insulation Class	F
Nominal Efficiency	89.5 %	Tropicalization	YES
Nominal Power Factor	0.76 cosθ	Duty	Cont.
Full Load Torque Ft-Lb	22.0313744 Ft-Lb	Cable Entry	1.25
Temp Rise @ Full Load °C	42	Feet Removable	YES
Efficiency Level	IE3 - NEMA Premium	Double Drilled	NO

Load Data	RPM	Trq %FL	Current Amps	Mechanical Data	
Locked Rotor	-	357	186.4	Bearing DE Side	6308ZZ
Breakdown	-	476	-	Bearing NDE Side	6308ZZ
Pull Up	-	78	-	Moment of Inertia	-- kg.m2
125% of FL	3510.1	-	20.255	Noise Level	Per NEMA dB (A)
75% of FL	3548.7	-	12.442		
50% of FL	3566.3	-	8.9919		
No Load	--	-	4.591		

Hazardous Location	Class 1, Div2, Grp A,B,C,D			Rated Ambient (°C)	40
				Rated Altitude (M)	1000
				Coating	7024 - Graphite Grey
				Shaft Grounding	NO
				Brake Voltage (DC)	--
				Brake Torque (N-M)	--

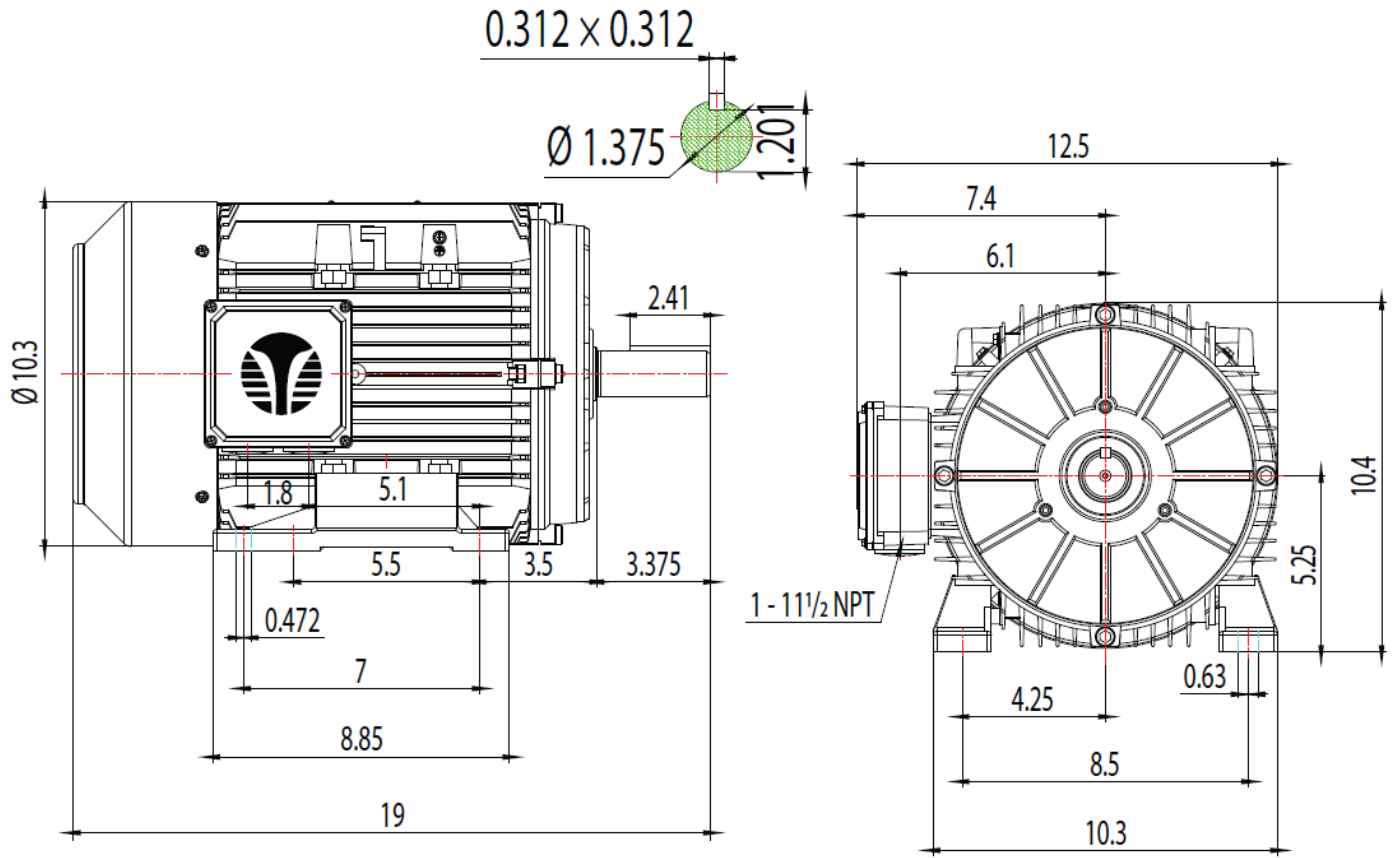
CT VFD Range	--	<b>Loaded Torque Curves</b>	
$P_1 = \text{INPUT POWER (KW)}$ , $S = \text{Slip (\% of Sync RPM)}$ , $\eta = \text{Efficiency (\%)}$ , $\cos\phi = \text{Power Factor}$			


Certifications	UL	CSA	DOE
File Numbers	323353	224693	096A
Wiring Diagram	3PH 9 Lead Dual Voltage		



Model Number	WX3-AL-TF-215T-2-B-D-15-230 460-60
MFG PN	T215T15U2B
List Price	--
Base Frame	WX-215T-AL-TF

FRAME: 210T | HP: | RPM: | PHASE: 3 | VOLT: 208-230/460V | ENCL: TEFC | FREQ: 60 Hz | FLA: | LRA:



 MATERIAL: ALUMINUM UNITS: INCH BY: SSEE DRAWN: 12/17/2018 WWW.TECHTOP.COM	MODEL NUMBER:	REV.	BY	DATE	CHANGES
	GX3-AL-TF-210T	1			
	MFG PN:	2			
		3			
		4			
		5			
		6			
	7				