



**Model Number** WX3-AL-TF-213TC-6-B-D-3-230|460-60

**MFG PN** T213T3U6B

**List Price** --

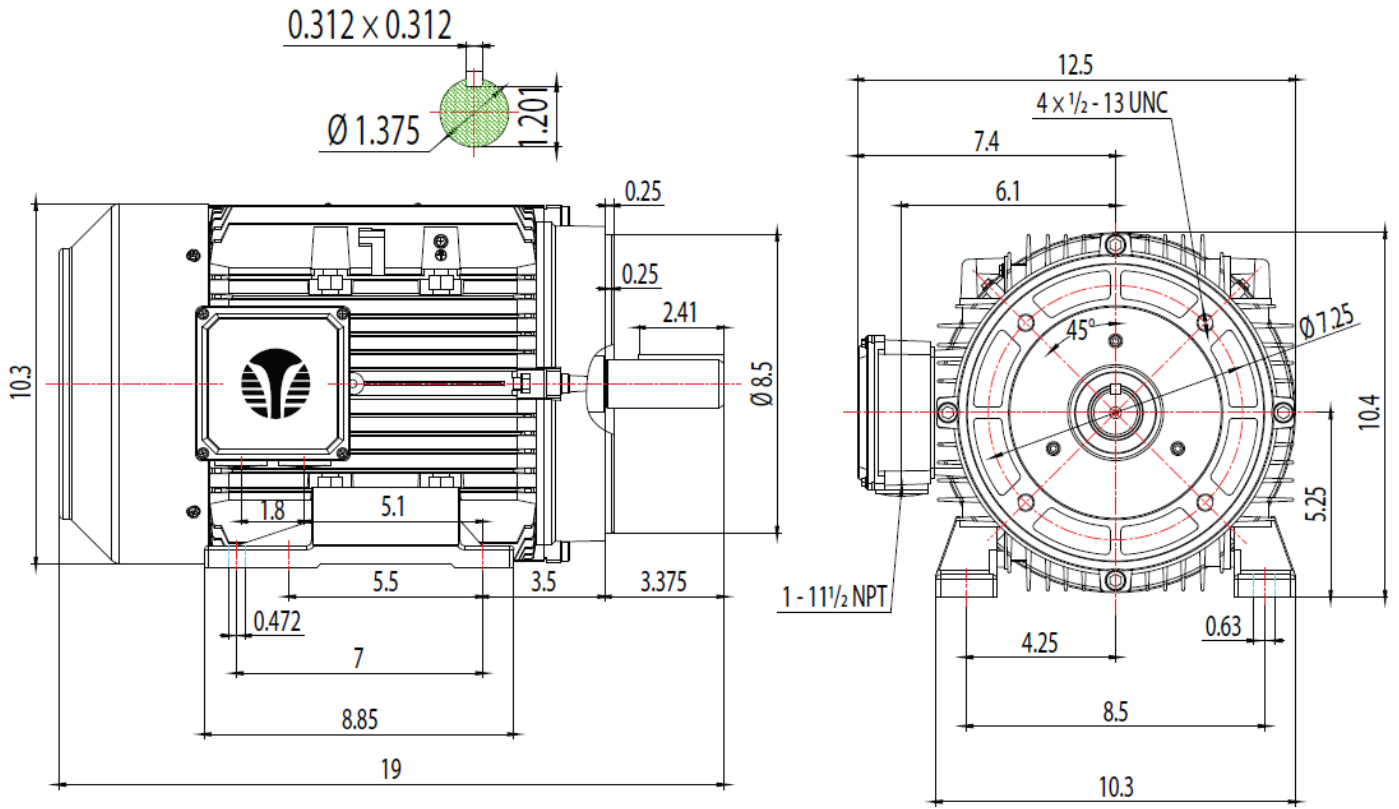
All data shown at HIGH voltage setting

Format | STD 3 Phase

Electrical Data				General Data																															
Rated Motor Output Power	3 HP			Frame Size	213																														
Rated Motor Speed	1175 r/min			Enclosure	TEFC																														
Rated Motor Voltage (3 Phase)	230 460-60 Volts - HZ			Approximate Weight	--																														
Rated Motor Current	8.8/4.4 Amps			NEMA Design	A																														
Service Factor	1.25			IP Rating	56																														
KVA Code	K			Insulation Class	F																														
Nominal Efficiency	89.5 %			Tropicalization	YES																														
Nominal Power Factor	0.72 cosθ			Duty	Cont.																														
Full Load Torque Ft-Lb	13.1344432 Ft-Lb			Cable Entry	1.25																														
Temp Rise @ Full Load °C	22.4			Feet Removable	YES																														
Efficiency Level	IE3 - NEMA Premium			Double Drilled	NO																														
Load Data	RPM	Trq %FL	Current Amps	Rated Ambient (°C)	40																														
Locked Rotor	-	236	33.43	Rated Altitude (M)	1000																														
Breakdown	-	319	-	Coating	7024 - Graphite Grey																														
Pull Up	-	154	-	Shaft Grounding	NO																														
125% of FL	1174.3	-	5.1783	Brake Voltage (DC)	--																														
75% of FL	1185.1	-	3.5819	Brake Torque (N-M)	--																														
50% of FL	1190.4	-	2.9544	Mechanical Data																															
No Load	--	-	2.218	Bearing DE Side	6308ZZ																														
Hazardous Location	Class 1, Div2, Grp A,B,C,D			Bearing NDE Side	6308ZZ																														
				Moment of Inertia	-- kg.m2																														
				Noise Level	Per NEMA dB (A)																														
CT VFD Range		--		Loaded Torque Curves																															
				P1 = INPUT POWER (KW), S = Slip (% of Sync RPM), η = Efficiency (%), cosφ = Power Factor																															
Certifications	UL	CSA	DOE																																
File Numbers	323353	224693	096A																																
Wiring Diagram	3PH 9 Lead Dual Voltage																																		
<p><b>3 Phase - YY/Y - 9 Lead</b></p> <p>4,1 Blue / 5,2 White / 6,3 Org / 7 YI / 8 Blk / 9 RD</p> <p>Cast Iron- 1,2,3 Top - 4,5,6,7,8,9 Bottom</p> <p>Aluminum - 4,5,6,8,9 Top - 1,2,3,7 Bottom</p>																																			
<p style="text-align: center;"><b>CONNECTIONS</b></p> <table border="1" style="width: 100%; text-align: center;"> <tr> <td>4</td><td>5</td><td>6</td> <td>4</td><td>5</td><td>6</td> </tr> <tr> <td>7</td><td>8</td><td>9</td> <td>7</td><td>8</td><td>9</td> </tr> <tr> <td>1</td><td>2</td><td>3</td> <td>1</td><td>2</td><td>3</td> </tr> <tr> <td colspan="3">↑</td> <td colspan="3">↑</td> </tr> <tr> <td colspan="3">LOW VOLTAGE</td> <td colspan="3">HIGH VOLTAGE</td> </tr> </table>						4	5	6	4	5	6	7	8	9	7	8	9	1	2	3	1	2	3	↑			↑			LOW VOLTAGE			HIGH VOLTAGE		
4	5	6	4	5	6																														
7	8	9	7	8	9																														
1	2	3	1	2	3																														
↑			↑																																
LOW VOLTAGE			HIGH VOLTAGE																																

Model Number	WX3-AL-TF-213TC-6-B-D-3-230 460-60
MFG PN	T213T3U6B
List Price	--
Base Frame	WX-213TC-AL-TF

FRAME: 210TC | HP: | RPM: | PHASE: 3 | VOLT: 208-230/460V | ENCL: TEFC | FREQ: 60 Hz | FLA: | LRA:



REV.	BY	DATE
1		
2		
3		
4		
5		
6		
7		