



**Model Number** WX3-AL-TF-213TC-2-B-D-7.5-230|460-60

**MFG PN** T213T7.5U2B

**List Price** --

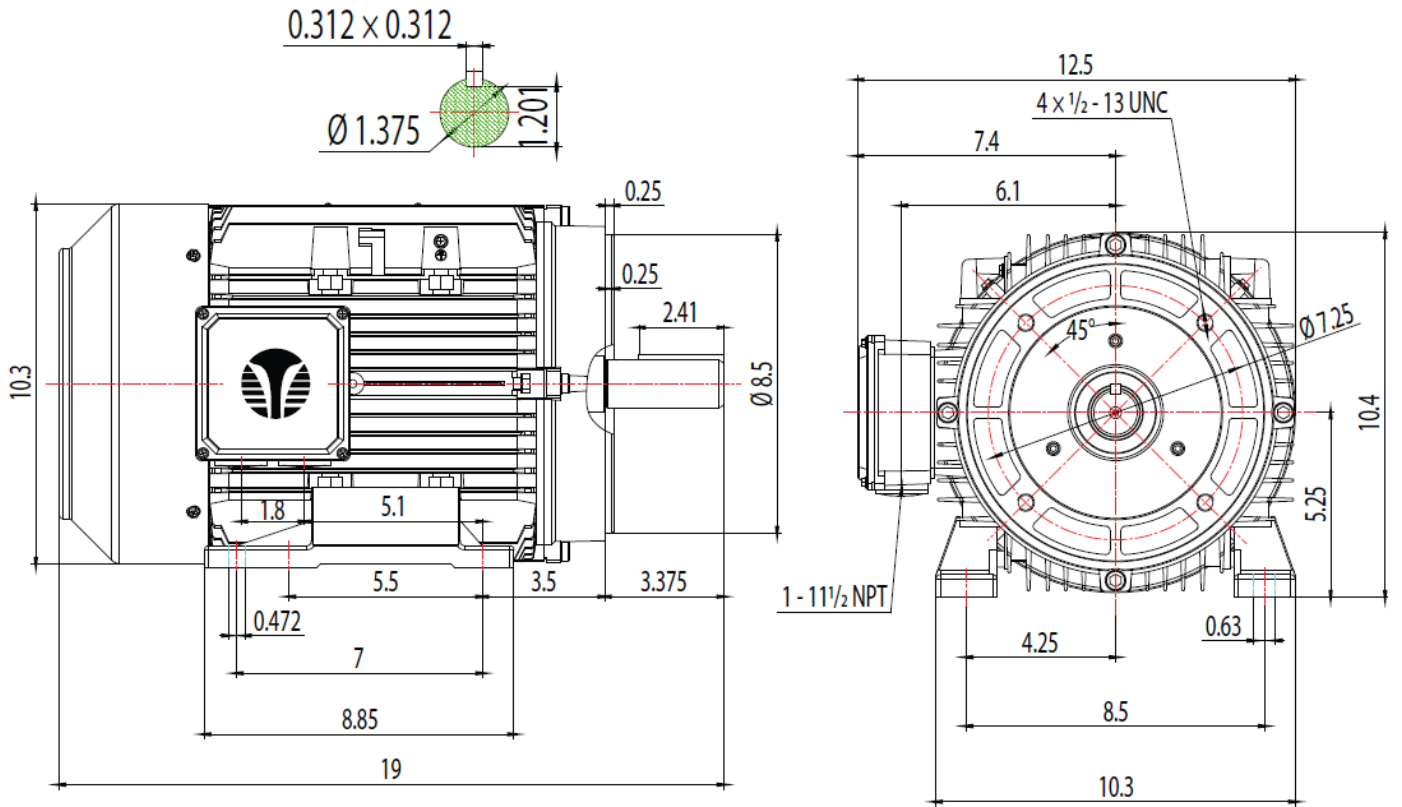
All data shown at HIGH voltage setting

Format STD 3 Phase

Electrical Data				General Data																													
Rated Motor Output Power	7.5 HP			Frame Size	213																												
Rated Motor Speed	3520 r/min			Enclosure	TEFC																												
Rated Motor Voltage (3 Phase)	230 460-60 Volts - HZ			Approximate Weight	--																												
Rated Motor Current	17.0 8.48 Amps			NEMA Design	B																												
Service Factor	1.25			IP Rating	56																												
KVA Code	K			Insulation Class	F																												
Nominal Efficiency	89.5 %			Tropicalization	YES																												
Nominal Power Factor	0.91 cosθ			Duty	Cont.																												
Full Load Torque Ft-Lb	11.1517744 Ft-Lb			Cable Entry	1.25																												
Temp Rise @ Full Load °C	51.5			Feet Removable	YES																												
Efficiency Level	IE3 - NEMA Premium			Double Drilled	NO																												
Load Data	RPM	Trq %FL	Current Amps	Rated Ambient (°C)	40																												
Locked Rotor	-	257	80.91	Rated Altitude (M)	1000																												
Breakdown	-	365	-	Coating	7024 - Graphite Grey																												
Pull Up	-	175	-	Shaft Grounding	NO																												
125% of FL	3500	-	10.56	Brake Voltage (DC)	--																												
75% of FL	3543.4	-	6.5421	Brake Torque (N-M)	--																												
50% of FL	3562.8	-	4.8079	Mechanical Data																													
No Load	--	-	2.562	Bearing DE Side	6308ZZ																												
Hazardous Location	Class 1, Div2, Grp A,B,C,D			Bearing NDE Side	6308ZZ																												
				Moment of Inertia	-- kg.m2																												
				Noise Level	Per NEMA dB (A)																												
CT VFD Range		--		Loaded Torque Curves																													
				P1 = INPUT POWER (KW), S = Slip (% of Sync RPM), η = Efficiency (%), cosφ = Power Factor																													
Certifications	UL	CSA	DOE																														
File Numbers	323353	224693	096A																														
Wiring Diagram	3PH 9 Lead Dual Voltage																																
<p><b>3 Phase - YY/Y - 9 Lead</b>            4,1 Blue / 5,2 White / 6,3 Org / 7 Yl / 8 Blk / 9 RD            Cast Iron- 1,2,3 Top - 4,5,6,7,8,9 Bottom            Aluminum - 4,5,6,8,9 Top - 1,2,3,7 Bottom</p> <table border="1"> <thead> <tr> <th colspan="6">CONNECTIONS</th> </tr> </thead> <tbody> <tr> <td>4</td><td>5</td><td>6</td> <td>4</td><td>5</td><td>6</td> </tr> <tr> <td>7</td><td>8</td><td>9</td> <td>7</td><td>8</td><td>9</td> </tr> <tr> <td>1</td><td>2</td><td>3</td> <td>1</td><td>2</td><td>3</td> </tr> <tr> <td colspan="3">LOW VOLTAGE</td> <td colspan="3">HIGH VOLTAGE</td> </tr> </tbody> </table>						CONNECTIONS						4	5	6	4	5	6	7	8	9	7	8	9	1	2	3	1	2	3	LOW VOLTAGE			HIGH VOLTAGE
CONNECTIONS																																	
4	5	6	4	5	6																												
7	8	9	7	8	9																												
1	2	3	1	2	3																												
LOW VOLTAGE			HIGH VOLTAGE																														

Model Number	WX3-AL-TF-213TC-2-B-D-7.5-230 460-60
MFG PN	T213T7.5U2B
List Price	--
Base Frame	WX-213TC-AL-TF

FRAME: 210TC | HP: | RPM: | PHASE: 3 | VOLT: 208-230/460V | ENCL: TEFC | FREQ: 60 Hz | FLA: | LRA:



**TECHTOP**  
 MATERIAL: ALUMINUM  
 UNITS: INCH BY: SSEE  
 DRAWN: 12/17/2018  
 WWW.TECHTOP.COM

MODEL NUMBER:  
 GX3-AL-TF-210TC  
 MFG PN:

REV.	BY	DATE
1		
2		
3		
4		
5		
6		
7		

CHANGES