



**Model Number** WX3-AL-TF-184TC-6-B-D-2-230|460-60

**MFG PN** T184T2U6B

**List Price** --

All data shown at HIGH voltage setting

Format | STD 3 Phase

Electrical Data		General Data	
Rated Motor Output Power	2 HP	Frame Size	184
Rated Motor Speed	1175 r/min	Enclosure	TEFC
Rated Motor Voltage (3 Phase)	230 460-60 Volts - HZ	Approximate Weight	--
Rated Motor Current	6.2 3.1 Amps	NEMA Design	B
Service Factor	1.25	IP Rating	56
KVA Code	H	Insulation Class	F
Nominal Efficiency	88.5 %	Tropicalization	YES
Nominal Power Factor	0.68 cosθ	Duty	Cont.
Full Load Torque Ft-Lb	8.991344 Ft-Lb	Cable Entry	1.25
Temp Rise @ Full Load °C	25.9	Feet Removable	YES
Efficiency Level	IE3 - NEMA Premium	Double Drilled	NO

Load Data	RPM	Trq %FL	Current Amps	Mechanical Data	
Locked Rotor	-	347	27.8	Rated Ambient (°C)	40
Breakdown	-	438	-	Rated Altitude (M)	1000
Pull Up	-	265	-	Coating	7024 - Graphite Grey
125% of FL	1174.2	-	3.7413	Shaft Grounding	NO
75% of FL	1185.2	-	2.8913	Brake Voltage (DC)	--
50% of FL	1190.2	-	2.5918	Brake Torque (N-M)	--
No Load	--	-	2.334	Bearing DE Side	6306ZZ

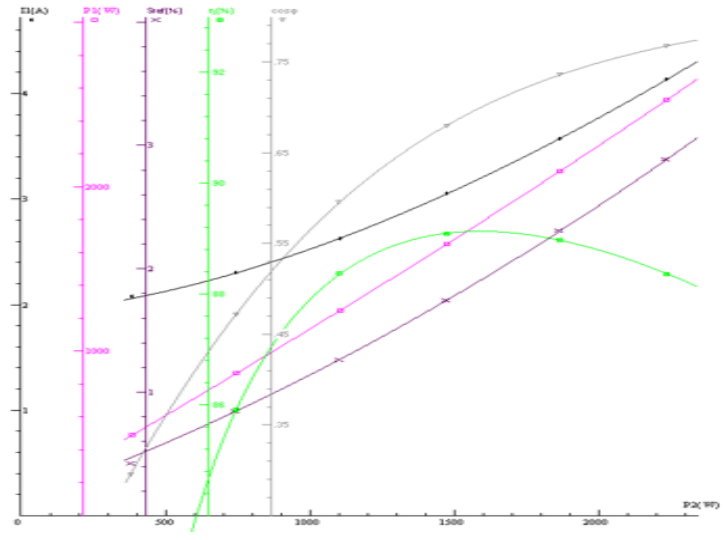
Hazardous Location	Class 1, Div2, Grp A,B,C,D		Moment of Inertia	-- kg.m2
			Noise Level	Per NEMA dB (A)

CT VFD Range	--	<b>Loaded Torque Curves</b>		--
<b>P1 = INPUT POWER (KW), S = Slip (% of Sync RPM), η = Efficiency (%), cosφ = Power Factor</b>				

Certifications	UL	CSA	DOE
File Numbers	323353	224693	096A
Wiring Diagram	3PH 9 Lead Dual Voltage		

**3 Phase - YY/Y - 9 Lead**  
 4,1 Blue / 5,2 White / 6,3 Org / 7 Yl / 8 Blk / 9 RD  
 Cast Iron- 1,2,3 Top - 4,5,6,7,8,9 Bottom  
 Aluminum - 4,5,6,8,9 Top - 1,2,3,7 Bottom

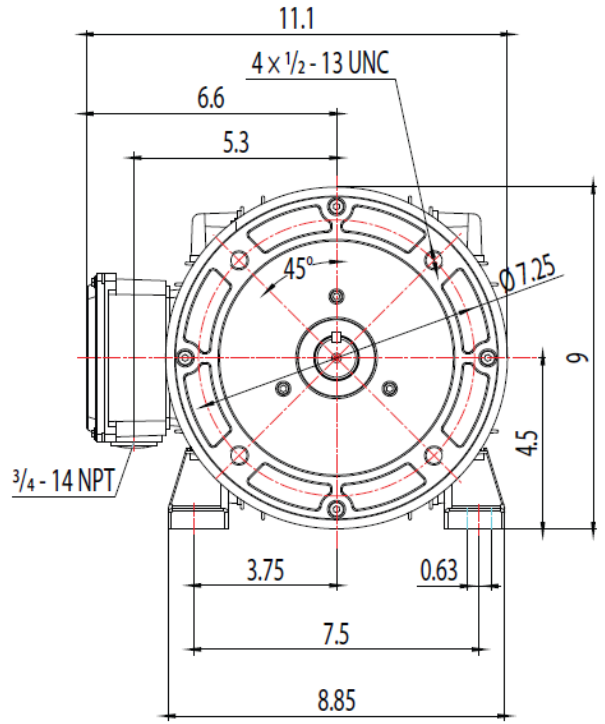
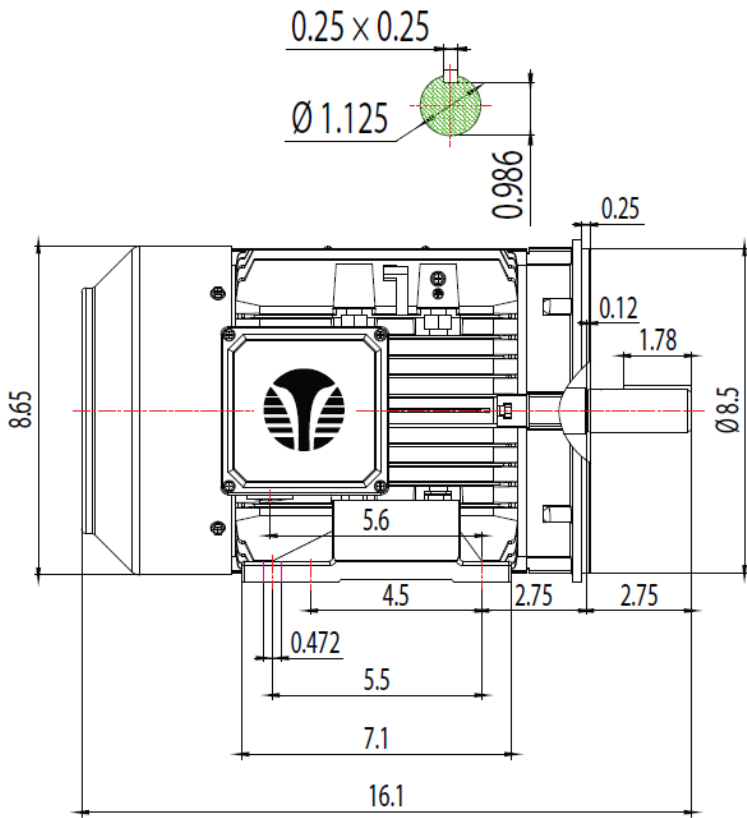
CONNECTIONS					
4	5	6	4	5	6
7	8	9	7	8	9
1	2	3	1	2	3
↑ LOW VOLTAGE			↑ HIGH VOLTAGE		





Model Number	WX3-AL-TF-184TC-6-B-D-2-230 460-60
MFG PN	T184T2U6B
List Price	--
Base Frame	WX-184TC-AL-TF

FRAME: 180TC	HP:	RPM:	PHASE: 3	VOLT: 208-230/460V	ENCL: TEFC	FREQ: 60 Hz	FLA:	LRA:
--------------	-----	------	----------	--------------------	------------	-------------	------	------



**TECHTOP**  
 MATERIAL: ALUMINUM  
 UNITS: INCH BY: SSEE  
 DRAWN: 11/16/2018  
 WWW.TECHTOP.COM

MODEL NUMBER:	REV.	BY	DATE	CHANGES
GX3-AL-TF-180TC	1			
MFG PN:	2			
	3			
	4			
	5			
	6			
	7			