



**Model Number** WX3-AL-TF-184TC-4-B-D-5-230|460-60

**MFG PN** T184T5U4B

**List Price** --

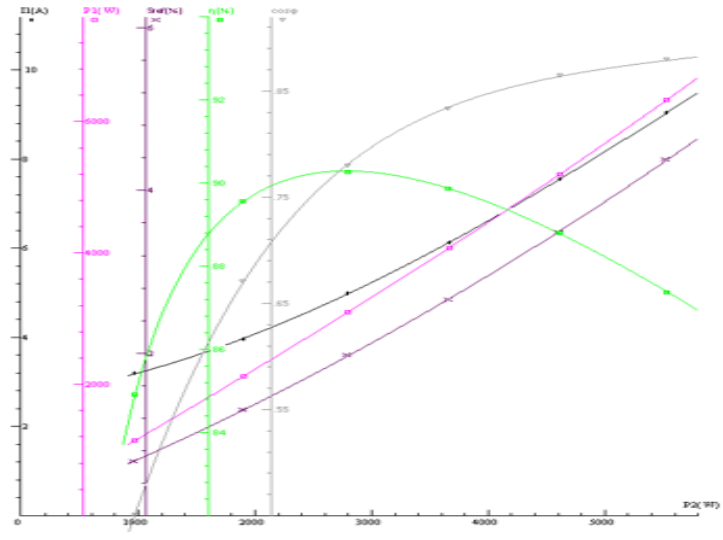
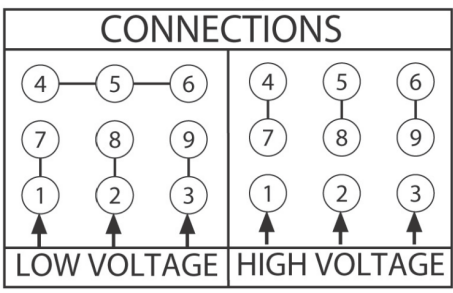
All data shown at HIGH voltage setting

Format | STD 3 Phase

Electrical Data				General Data	
Rated Motor Output Power	5 HP			Frame Size	184
Rated Motor Speed	1750 r/min			Enclosure	TEFC
Rated Motor Voltage (3 Phase)	230 460-60 Volts - HZ			Approximate Weight	--
Rated Motor Current	12.4/6.18 Amps			NEMA Design	B
Service Factor	1.25			IP Rating	56
KVA Code	L			Insulation Class	F
Nominal Efficiency	89.5 %			Tropicalization	YES
Nominal Power Factor	0.84 cosθ			Duty	Cont.
Full Load Torque Ft-Lb	14.8604272 Ft-Lb			Cable Entry	1.25
Temp Rise @ Full Load °C	52.4			Feet Removable	YES
Efficiency Level	IE3 - NEMA Premium			Double Drilled	NO
Load Data	RPM	Trq %FL	Current Amps	Rated Ambient (°C)	40
Locked Rotor	-	281	52.98	Rated Altitude (M)	1000
Breakdown	-	345	-	Coating	7024 - Graphite Grey
Pull Up	-	190	-	Shaft Grounding	NO
125% of FL	1737.4	-	7.4907	Brake Voltage (DC)	--
75% of FL	1765.2	-	4.7632	Brake Torque (N-M)	--
50% of FL	1777.4	-	3.6736	Mechanical Data	
No Load	--	-	2.512	Bearing DE Side	6306ZZ
Hazardous Location	Class 1, Div2, Grp A,B,C,D			Bearing NDE Side	6306ZZ
				Moment of Inertia	-- kg.m2
				Noise Level	Per NEMA dB (A)
CT VFD Range		--		Loaded Torque Curves	
$P_1 = \text{INPUT POWER (KW)}$ , $S = \text{Slip (\% of Sync RPM)}$ , $\eta = \text{Efficiency (\%)}$ , $\cos\phi = \text{Power Factor}$					

Certifications	UL	CSA	DOE
File Numbers	323353	224693	096A
Wiring Diagram	3PH 9 Lead Dual Voltage		

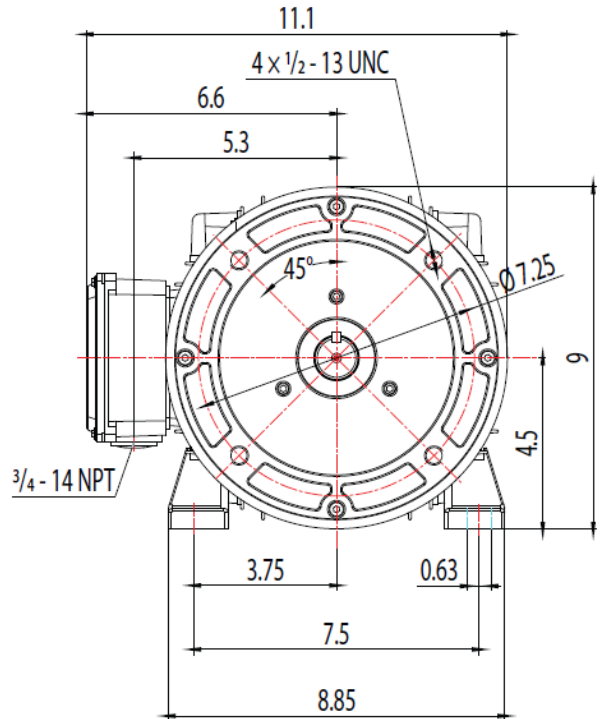
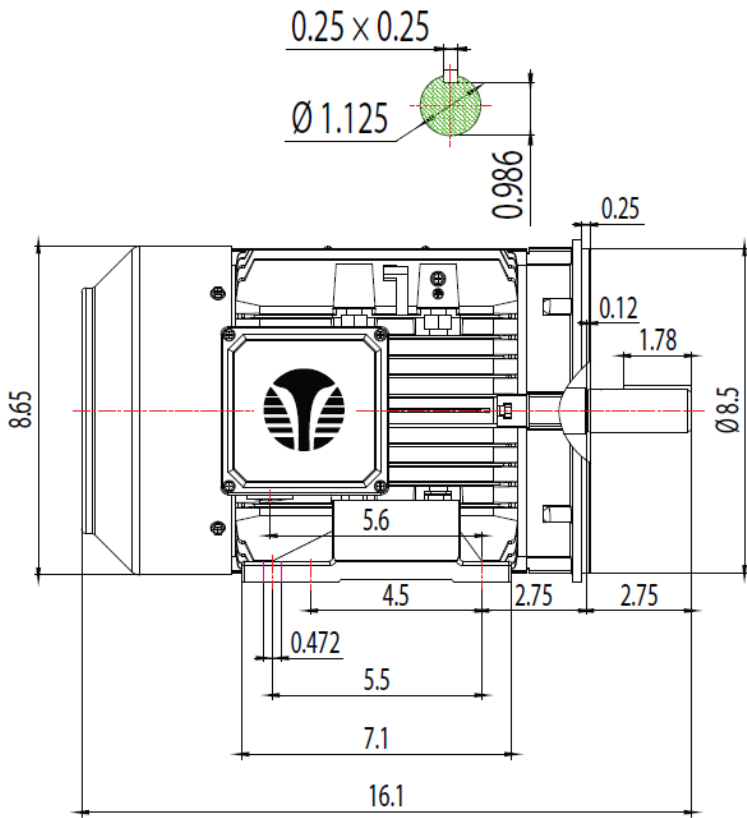
**3 Phase - YY/Y - 9 Lead**  
 4,1 Blue / 5,2 White / 6,3 Org / 7 Yl / 8 Blk / 9 RD  
 Cast Iron- 1,2,3 Top - 4,5,6,7,8,9 Bottom  
 Aluminum - 4,5,6,8,9 Top - 1,2,3,7 Bottom





Model Number	WX3-AL-TF-184TC-4-B-D-5-230 460-60
MFG PN	T184T5U4B
List Price	--
Base Frame	WX-184TC-AL-TF

FRAME: 180TC | HP: | RPM: | PHASE: 3 | VOLT: 208-230/460V | ENCL: TEFC | FREQ: 60 Hz | FLA: | LRA:



**TECHTOP**  
 MATERIAL: ALUMINUM  
 UNITS: INCH BY: SSEE  
 DRAWN: 11/16/2018  
 WWW.TECHTOP.COM

MODEL NUMBER:	REV.	BY	DATE
GX3-AL-TF-180TC	1		
MFG PN:	2		
	3		
	4		
	5		
	6		
	7		

CHANGES