



Model Number WX3-AL-TF-184T-6-B-D-2-230|460-60

MFG PN T184T2U6B

List Price --

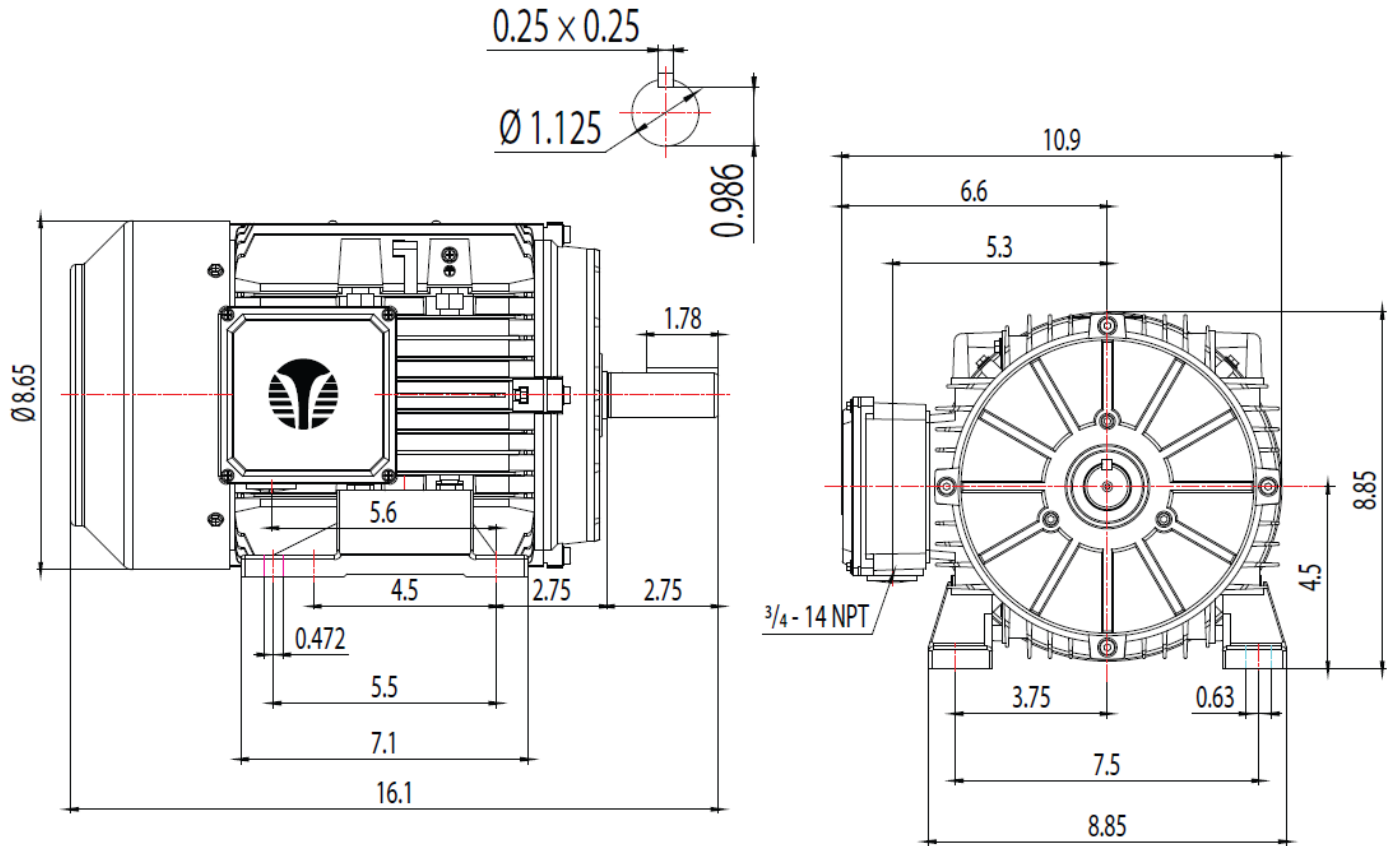
All data shown at HIGH voltage setting

Format | STD 3 Phase

Electrical Data				General Data	
Rated Motor Output Power	2 HP			Frame Size	184
Rated Motor Speed	1175 r/min			Enclosure	TEFC
Rated Motor Voltage (3 Phase)	230 460-60 Volts - HZ			Approximate Weight	--
Rated Motor Current	6.2 3.1 Amps			NEMA Design	B
Service Factor	1.25			IP Rating	56
KVA Code	H			Insulation Class	F
Nominal Efficiency	88.5 %			Tropicalization	YES
Nominal Power Factor	0.68 cosθ			Duty	Cont.
Full Load Torque Ft-Lb	8.991344 Ft-Lb			Cable Entry	1.25
Temp Rise @ Full Load °C	25.9			Feet Removable	YES
Efficiency Level	IE3 - NEMA Premium			Double Drilled	NO
Load Data	RPM	Trq %FL	Current Amps	Rated Ambient (°C)	40
Locked Rotor	-	347	27.8	Rated Altitude (M)	1000
Breakdown	-	438	-	Coating	7024 - Graphite Grey
Pull Up	-	265	-	Shaft Grounding	NO
125% of FL	1174.2	-	3.7413	Brake Voltage (DC)	--
75% of FL	1185.2	-	2.8913	Brake Torque (N-M)	--
50% of FL	1190.2	-	2.5918	Mechanical Data	
No Load	--	-	2.334	Bearing DE Side	6306ZZ
Hazardous Location	Class 1, Div2, Grp A,B,C,D			Bearing NDE Side	6306ZZ
				Moment of Inertia	-- kg.m2
				Noise Level	Per NEMA dB (A)
CT VFD Range		--		Loaded Torque Curves	
				P1 = INPUT POWER (KW), S = Slip (% of Sync RPM), η = Efficiency (%), cosφ = Power Factor	
Certifications	UL	CSA	DOE		
File Numbers	323353	224693	096A		
Wiring Diagram	3PH 9 Lead Dual Voltage				
3 Phase - YY/Y - 9 Lead 4,1 Blue / 5,2 White / 6,3 Org / 7 Yl / 8 Blk / 9 RD Cast Iron- 1,2,3 Top - 4,5,6,7,8,9 Bottom Aluminum - 4,5,6,8,9 Top - 1,2,3,7 Bottom					
CONNECTIONS 					

Model Number	WX3-AL-TF-184T-6-B-D-2-230 460-60
MFG PN	T184T2U6B
List Price	--
Base Frame	WX-184T-AL-TF

FRAME: 180T HP: RPM: PHASE: 3 VOLT: 208-230/460V ENCL: TEFC FREQ: 60 Hz FLA: LRA:



TECHTOP
MATERIAL: ALUMINUM
UNITS: INCH BY: SSEE
DRAWN: 11/16/2018
WWW.TECHTOP.COM

MODEL NUMBER:
GX3-AL-TF-180T
MFG PN:

REV.	BY	DATE
1		
2		
3		
4		
5		
6		
7		

CHANGES