



Model Number WX3-AL-TF-184T-2-B-D-5-230|460-60

MFG PN T184T5U2B

List Price --

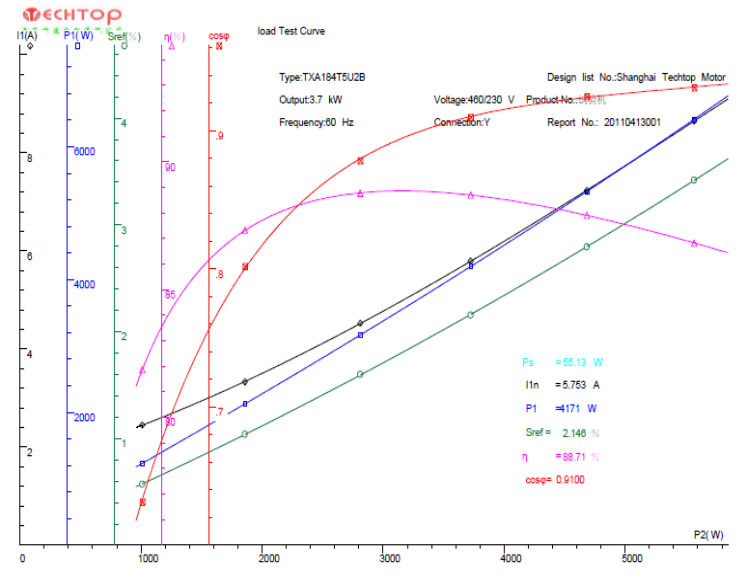
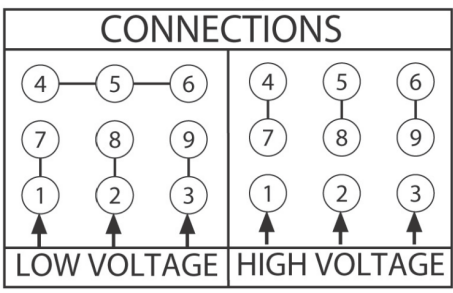
All data shown at HIGH voltage setting

Format | STD 3 Phase

Electrical Data				General Data	
Rated Motor Output Power	5 HP			Frame Size	184
Rated Motor Speed	3510 r/min			Enclosure	TEFC
Rated Motor Voltage (3 Phase)	230 460-60 Volts - HZ			Approximate Weight	--
Rated Motor Current	11.5/5.77 Amps			NEMA Design	B
Service Factor	1.25			IP Rating	56
KVA Code	L			Insulation Class	F
Nominal Efficiency	88.5 %			Tropicalization	YES
Nominal Power Factor	0.91 cosθ			Duty	Cont.
Full Load Torque Ft-Lb	7.4010784 Ft-Lb			Cable Entry	1.25
Temp Rise @ Full Load °C	34.1			Feet Removable	YES
Efficiency Level	IE3 - NEMA Premium			Double Drilled	NO
Load Data	RPM	Trq %FL	Current Amps	Rated Ambient (°C)	40
Locked Rotor	-	309	61.29	Rated Altitude (M)	1000
Breakdown	-	410	-	Coating	7024 - Graphite Grey
Pull Up	-	235	-	Shaft Grounding	NO
125% of FL	3499.2	-	7.1416	Brake Voltage (DC)	--
75% of FL	3543.1	-	4.4642	Brake Torque (N-M)	--
50% of FL	3562.6	-	3.3248	Mechanical Data	
No Load	--	-	2.3	Bearing DE Side	6306ZZ
Hazardous Location	Class 1, Div2, Grp A,B,C,D			Bearing NDE Side	6306ZZ
				Moment of Inertia	-- kg.m2
				Noise Level	Per NEMA dB (A)
CT VFD Range		--		Loaded Torque Curves	
P1 = INPUT POWER (KW), S = Slip (% of Sync RPM), η = Efficiency (%), cosφ = Power Factor					

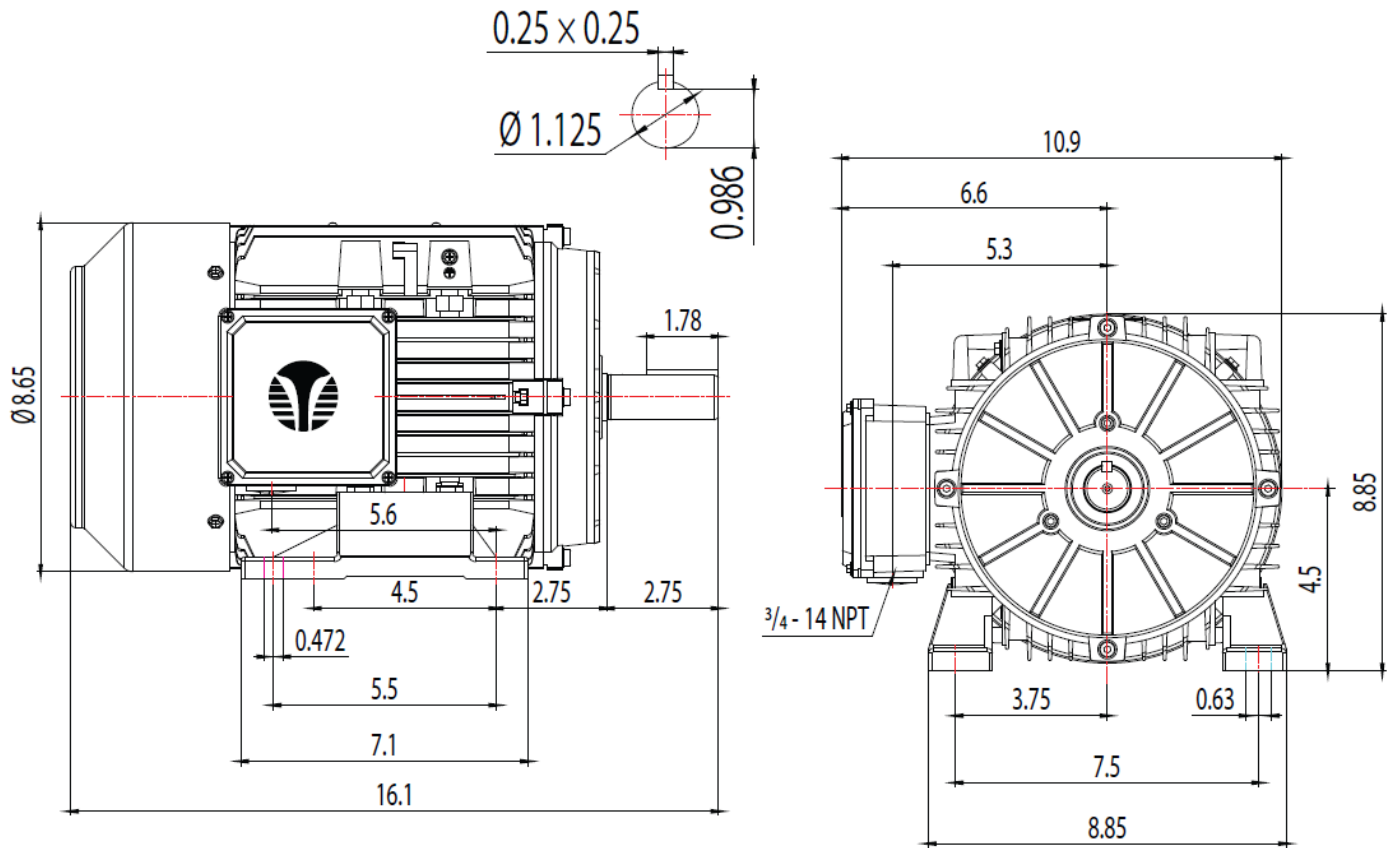
Certifications	UL	CSA	DOE
File Numbers	323353	224693	096A
Wiring Diagram	3PH 9 Lead Dual Voltage		

3 Phase - YY/Y - 9 Lead
 4,1 Blue / 5,2 White / 6,3 Org / 7 Yl / 8 Blk / 9 RD
 Cast Iron- 1,2,3 Top - 4,5,6,7,8,9 Bottom
 Aluminum - 4,5,6,8,9 Top - 1,2,3,7 Bottom



Model Number	WX3-AL-TF-184T-2-B-D-5-230 460-60
MFG PN	T184T5U2B
List Price	--
Base Frame	WX-184T-AL-TF

FRAME: 180T HP: RPM: PHASE: 3 VOLT: 208-230/460V ENCL: TEFC FREQ: 60 Hz FLA: LRA:



TECHTOP
 MATERIAL: ALUMINUM
 UNITS: INCH BY: SSEE
 DRAWN: 11/16/2018
 WWW.TECHTOP.COM

MODEL NUMBER:
 GX3-AL-TF-180T
 MFG PN:

REV.	BY	DATE
1		
2		
3		
4		
5		
6		
7		

CHANGES