



Model Number WX3-AL-TF-182TC-4-B-D-3-230|460-60

MFG PN T182T3U4B

List Price --

All data shown at HIGH voltage setting

Format | STD 3 Phase

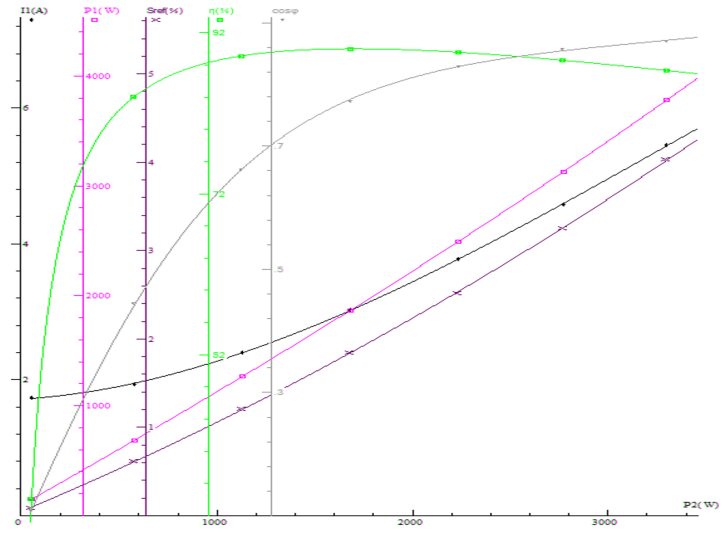
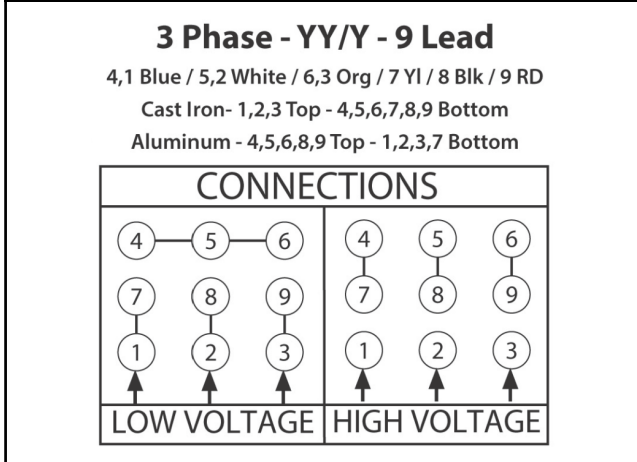
Electrical Data		General Data	
Rated Motor Output Power	3 HP	Frame Size	182
Rated Motor Speed	1760 r/min	Enclosure	TEFC
Rated Motor Voltage (3 Phase)	230 460-60 Volts - HZ	Approximate Weight	--
Rated Motor Current	7.62/3.81 Amps	NEMA Design	B
Service Factor	1.25	IP Rating	56
KVA Code	L	Insulation Class	F
Nominal Efficiency	89.5 %	Tropicalization	YES
Nominal Power Factor	0.81 cosθ	Duty	Cont.
Full Load Torque Ft-Lb	8.8076816 Ft-Lb	Cable Entry	1.25
Temp Rise @ Full Load °C	24.7	Feet Removable	YES
Efficiency Level	IE3 - NEMA Premium	Double Drilled	NO

Load Data	RPM	Trq %FL	Current Amps	Mechanical Data	
Locked Rotor	-	259	37.74	Rated Ambient (°C)	40
Breakdown	-	421	-	Rated Altitude (M)	1000
Pull Up	-	248	-	Coating	7024 - Graphite Grey
125% of FL	1751.3	-	4.5586	Shaft Grounding	NO
75% of FL	1772.4	-	3.0909	Brake Voltage (DC)	--
50% of FL	1791	-	2.0599	Brake Torque (N-M)	--
No Load	--	-	1.949		

Hazardous Location	Class 1, Div2, Grp A,B,C,D			Bearing DE Side	6306ZZ
				Bearing NDE Side	6306ZZ
				Moment of Inertia	-- kg.m2
				Noise Level	Per NEMA dB (A)

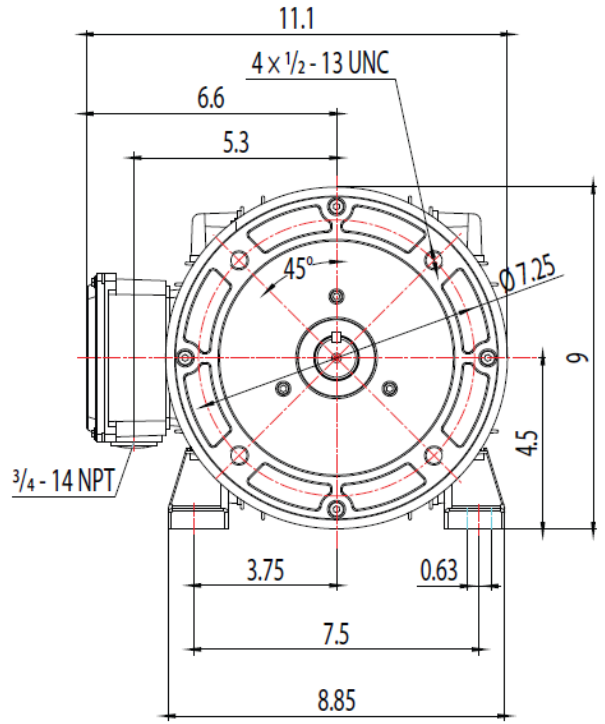
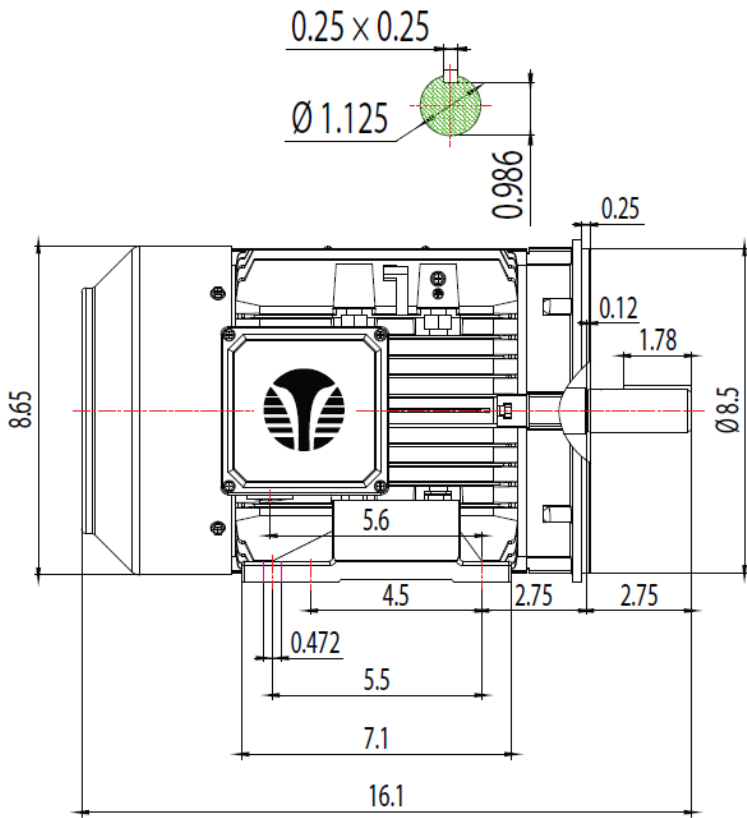
CT VFD Range	--	Loaded Torque Curves	--
P1 = INPUT POWER (KW), S = Slip (% of Sync RPM), η = Efficiency (%), cosφ = Power Factor			

Certifications	UL	CSA	DOE
File Numbers	323353	224693	096A
Wiring Diagram	3PH 9 Lead Dual Voltage		



Model Number	WX3-AL-TF-182TC-4-B-D-3-230 460-60
MFG PN	T182T3U4B
List Price	--
Base Frame	WX-182TC-AL-TF

FRAME: 180TC	HP:	RPM:	PHASE: 3	VOLT: 208-230/460V	ENCL: TEFC	FREQ: 60 Hz	FLA:	LRA:
--------------	-----	------	----------	--------------------	------------	-------------	------	------



TECHTOP
 MATERIAL: ALUMINUM
 UNITS: INCH BY: SSEE
 DRAWN: 11/16/2018
 WWW.TECHTOP.COM

MODEL NUMBER:	REV.	BY	DATE	CHANGES
GX3-AL-TF-180TC	1			
MFG PN:	2			
	3			
	4			
	5			
	6			
	7			