



Model Number WX3-AL-TF-182TC-2-B-D-3-230|460-60

MFG PN T182T3U2B

List Price --

All data shown at HIGH voltage setting

Format STD 3 Phase

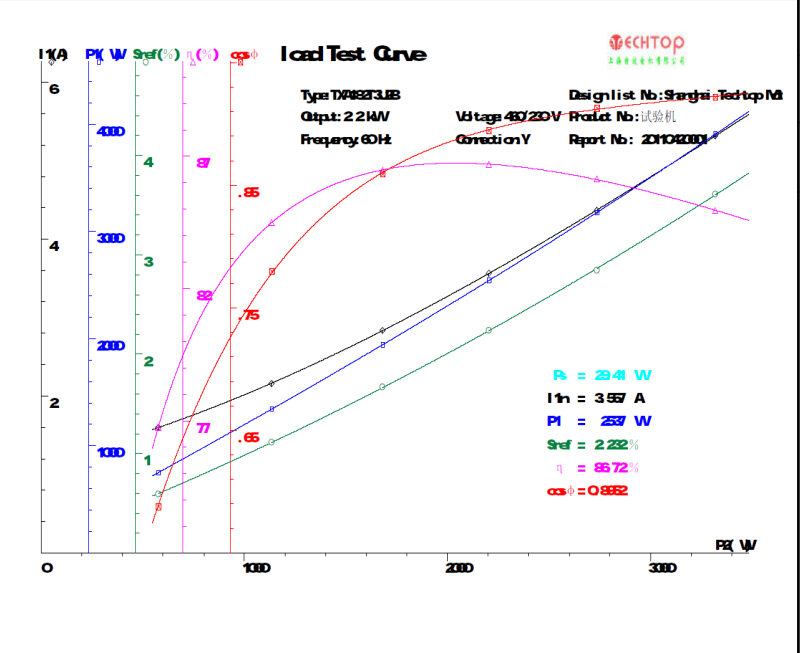
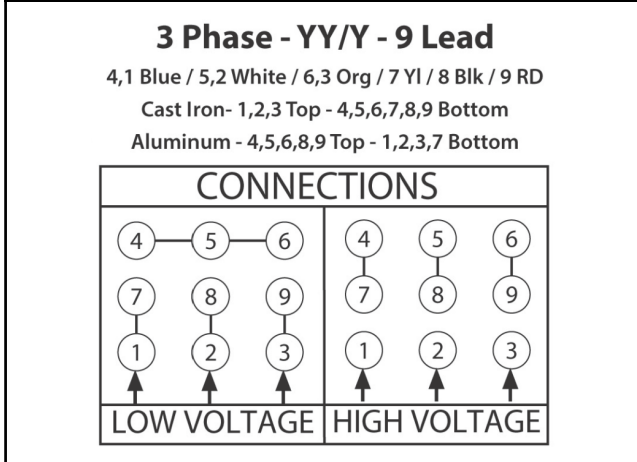
Electrical Data		General Data	
Rated Motor Output Power	3 HP	Frame Size	182
Rated Motor Speed	3515 r/min	Enclosure	TEFC
Rated Motor Voltage (3 Phase)	230 460-60 Volts - HZ	Approximate Weight	--
Rated Motor Current	7.17/3.59 Amps	NEMA Design	B
Service Factor	1.25	IP Rating	56
KVA Code	K	Insulation Class	F
Nominal Efficiency	86.5 %	Tropicalization	YES
Nominal Power Factor	0.89 cos ϕ	Duty	Cont.
Full Load Torque Ft-Lb	4.39004768 Ft-Lb	Cable Entry	1.25
Temp Rise @ Full Load °C	38.2	Feet Removable	YES
Efficiency Level	IE3 - NEMA Premium	Double Drilled	NO

Load Data	RPM	Trq %FL	Current Amps	Mechanical Data	
Locked Rotor	-	255	33.29	Bearing DE Side	6306ZZ
Breakdown	-	356	-	Bearing NDE Side	6306ZZ
Pull Up	-	126	-	Moment of Inertia	-- kg.m2
125% of FL	3494.4	-	3.9194	Noise Level	Per NEMA dB (A)
75% of FL	3540.5	-	2.7895		
50% of FL	3560.6	-	2.1231		
No Load	--	-	1.307		

Hazardous Location	Class 1, Div2, Grp A,B,C,D			Rated Ambient (°C)	40
				Rated Altitude (M)	1000
				Coating	7024 - Graphite Grey
				Shaft Grounding	NO

CT VFD Range	--	Loaded Torque Curves	--
$P_1 = \text{INPUT POWER (KW)}$, $S = \text{Slip (\% of Sync RPM)}$, $\eta = \text{Efficiency (\%)}$, $\cos\phi = \text{Power Factor}$			

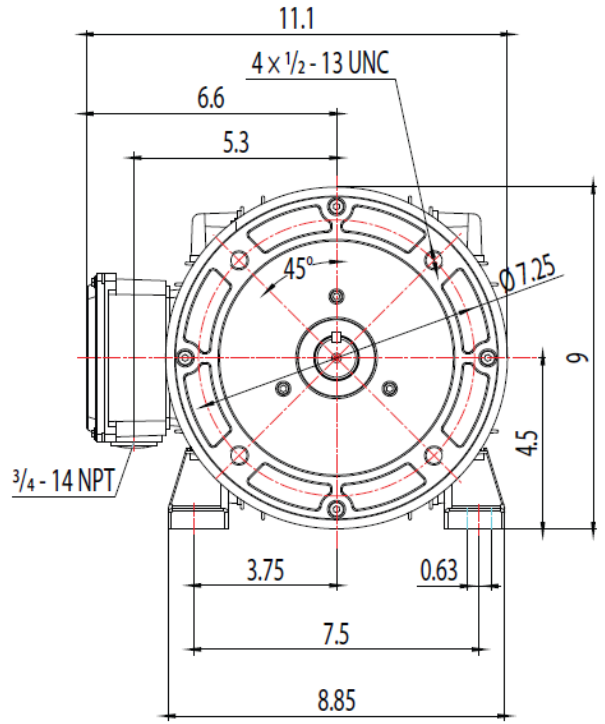
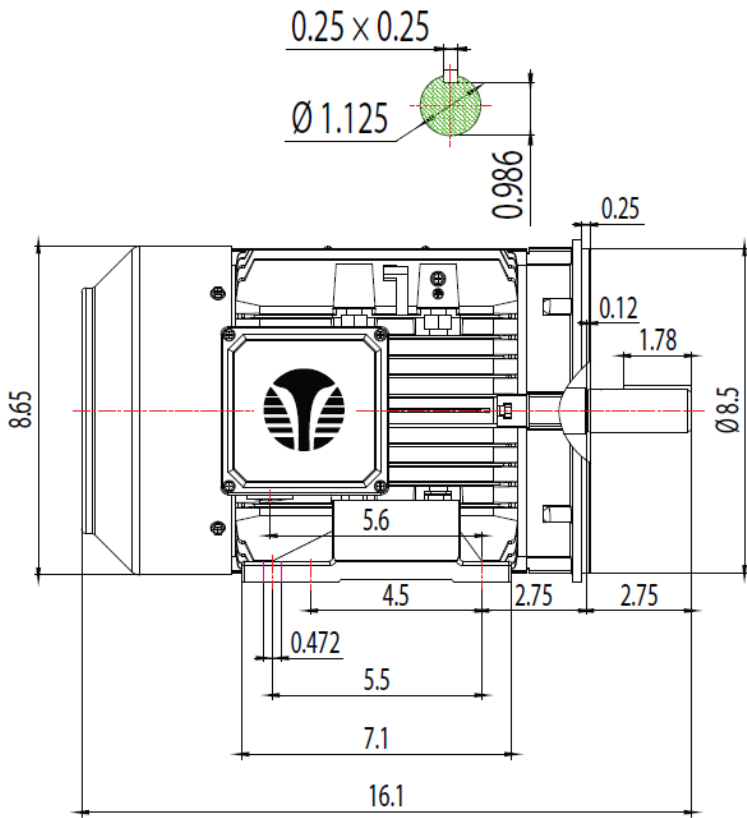
Certifications	UL	CSA	DOE
File Numbers	323353	224693	096A
Wiring Diagram	3PH 9 Lead Dual Voltage		





Model Number	WX3-AL-TF-182TC-2-B-D-3-230 460-60
MFG PN	T182T3U2B
List Price	--
Base Frame	WX-182TC-AL-TF

FRAME: 180TC	HP:	RPM:	PHASE: 3	VOLT: 208-230/460V	ENCL: TEFC	FREQ: 60 Hz	FLA:	LRA:
--------------	-----	------	----------	--------------------	------------	-------------	------	------



TECHTOP
 MATERIAL: ALUMINUM
 UNITS: INCH BY: SSEE
 DRAWN: 11/16/2018
 WWW.TECHTOP.COM

MODEL NUMBER:	REV.	BY	DATE	CHANGES
GX3-AL-TF-180TC	1			
MFG PN:	2			
	3			
	4			
	5			
	6			
	7			