



Model Number WX3-AL-TF-182T-6-B-D-1.5-230|460-60

MFG PN T182T1.5U6B

List Price --

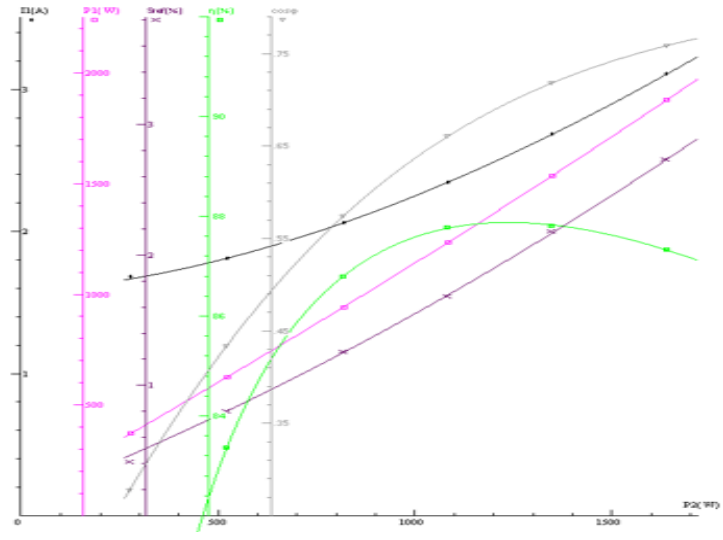
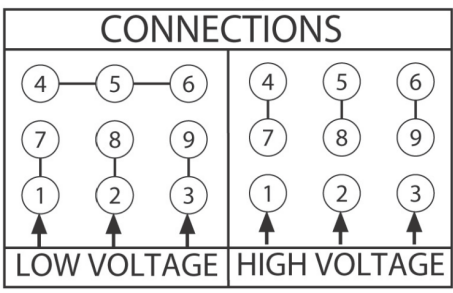
All data shown at HIGH voltage setting

Format STD 3 Phase

Electrical Data				General Data	
Rated Motor Output Power	1.5 HP			Frame Size	182
Rated Motor Speed	1175 r/min			Enclosure	TEFC
Rated Motor Voltage (3 Phase)	230 460-60 Volts - HZ			Approximate Weight	--
Rated Motor Current	4.64/2.32 Amps			NEMA Design	B
Service Factor	1.25			IP Rating	56
KVA Code	L			Insulation Class	F
Nominal Efficiency	87.5 %			Tropicalization	YES
Nominal Power Factor	0.66 cosθ			Duty	Cont.
Full Load Torque Ft-Lb	6.55438736 Ft-Lb			Cable Entry	1.25
Temp Rise @ Full Load °C	20.7			Feet Removable	YES
Efficiency Level	IE3 - NEMA Premium			Double Drilled	NO
Load Data	RPM	Trq %FL	Current Amps	Rated Ambient (°C)	40
Locked Rotor	-	270	17	Rated Altitude (M)	1000
Breakdown	-	365	-	Coating	7024 - Graphite Grey
Pull Up	-	193	-	Shaft Grounding	NO
125% of FL	1171.2	-	2.6838	Brake Voltage (DC)	--
75% of FL	1175.3	-	2.0157	Brake Torque (N-M)	--
50% of FL	1189.2	-	1.7778	Mechanical Data	
No Load	--	-	1.57	Bearing DE Side	6306ZZ
Hazardous Location	Class 1, Div2, Grp A,B,C,D			Bearing NDE Side	6306ZZ
				Moment of Inertia	-- kg.m2
				Noise Level	Per NEMA dB (A)
CT VFD Range		--		Loaded Torque Curves	
$P_1 = \text{INPUT POWER (KW)}$, $S = \text{Slip (\% of Sync RPM)}$, $\eta = \text{Efficiency (\%)}$, $\cos\phi = \text{Power Factor}$					

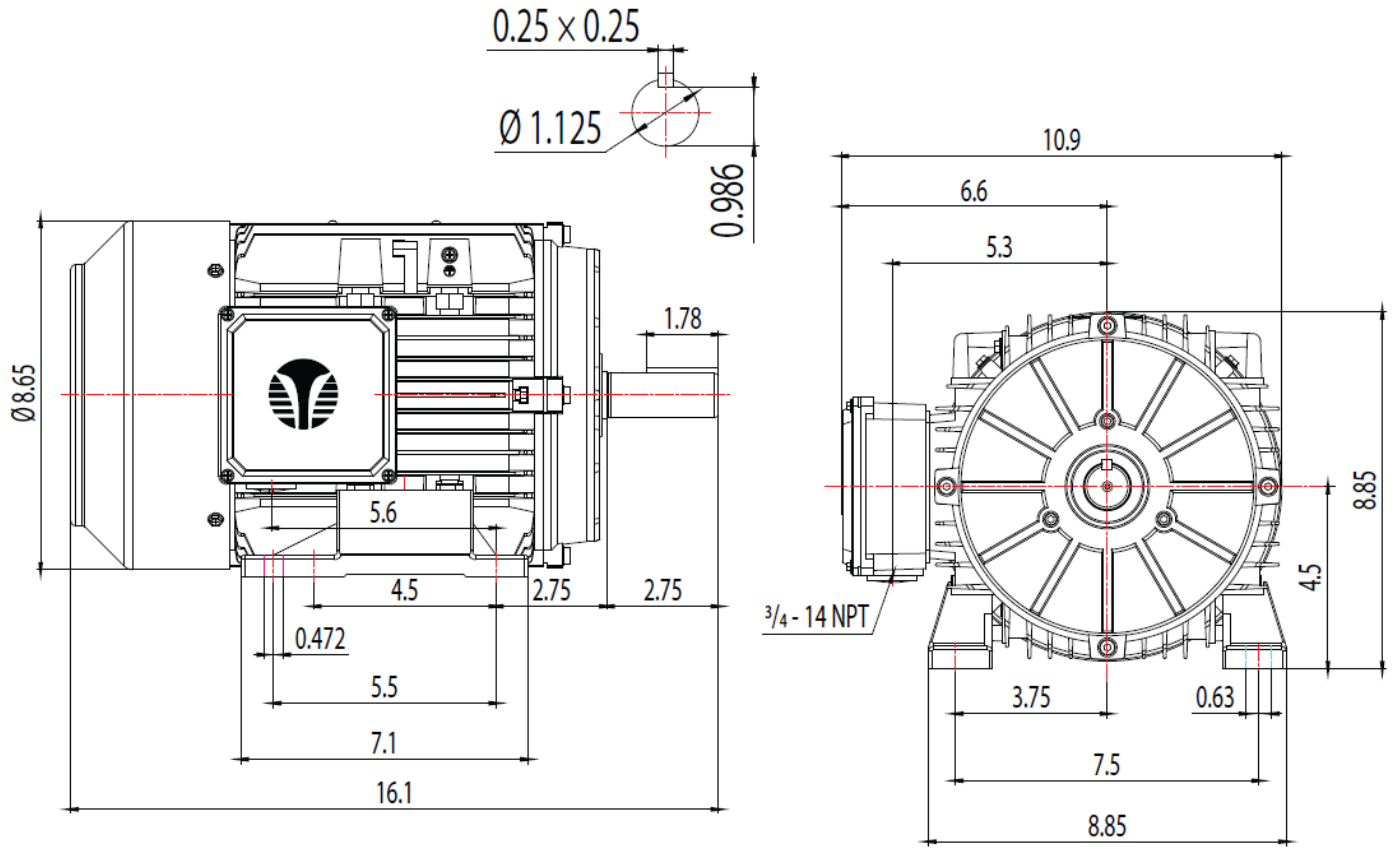
Certifications	UL	CSA	DOE
File Numbers	323353	224693	096A
Wiring Diagram	3PH 9 Lead Dual Voltage		

3 Phase - YY/Y - 9 Lead
 4,1 Blue / 5,2 White / 6,3 Org / 7 Yl / 8 Blk / 9 RD
 Cast Iron- 1,2,3 Top - 4,5,6,7,8,9 Bottom
 Aluminum - 4,5,6,8,9 Top - 1,2,3,7 Bottom



Model Number	WX3-AL-TF-182T-6-B-D-1.5-230 460-60
MFG PN	T182T1.5U6B
List Price	--
Base Frame	WX-182T-AL-TF

FRAME: 180T HP: RPM: PHASE: 3 VOLT: 208-230/460V ENCL: TEFC FREQ: 60 Hz FLA: LRA:



TECHTOP
MATERIAL: ALUMINUM
UNITS: INCH BY: SSEE
DRAWN: 11/16/2018
WWW.TECHTOP.COM

MODEL NUMBER:
GX3-AL-TF-180T
MFG PN:

REV.	BY	DATE
1		
2		
3		
4		
5		
6		
7		

CHANGES