



Model Number WX3-AL-TF-182T-4-B-D-3-230|460-60

MFG PN T182T3U4B

List Price --

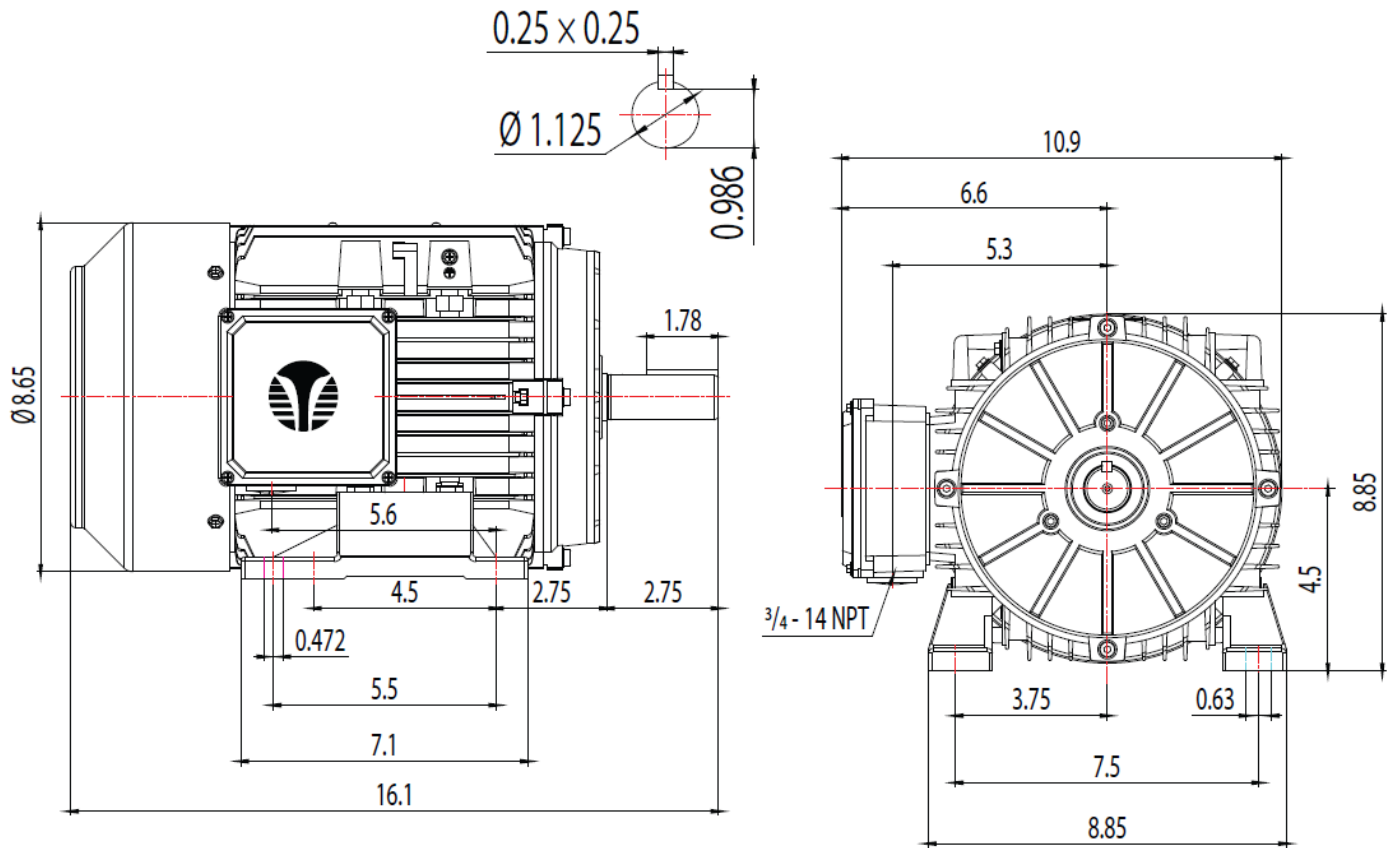
All data shown at HIGH voltage setting

Format | STD 3 Phase

Electrical Data				General Data																							
Rated Motor Output Power	3 HP			Frame Size	182																						
Rated Motor Speed	1760 r/min			Enclosure	TEFC																						
Rated Motor Voltage (3 Phase)	230 460-60 Volts - HZ			Approximate Weight	--																						
Rated Motor Current	7.62/3.81 Amps			NEMA Design	B																						
Service Factor	1.25			IP Rating	56																						
KVA Code	L			Insulation Class	F																						
Nominal Efficiency	89.5 %			Tropicalization	YES																						
Nominal Power Factor	0.81 cosθ			Duty	Cont.																						
Full Load Torque Ft-Lb	8.8076816 Ft-Lb			Cable Entry	1.25																						
Temp Rise @ Full Load °C	24.7			Feet Removable	YES																						
Efficiency Level	IE3 - NEMA Premium			Double Drilled	NO																						
Load Data	RPM	Trq %FL	Current Amps	Rated Ambient (°C)	40																						
Locked Rotor	-	259	37.74	Rated Altitude (M)	1000																						
Breakdown	-	421	-	Coating	7024 - Graphite Grey																						
Pull Up	-	248	-	Shaft Grounding	NO																						
125% of FL	1751.3	-	4.5586	Brake Voltage (DC)	--																						
75% of FL	1772.4	-	3.0909	Brake Torque (N-M)	--																						
50% of FL	1791	-	2.0599	Mechanical Data																							
No Load	--	-	1.949	Bearing DE Side	6306ZZ																						
Hazardous Location	Class 1, Div2, Grp A,B,C,D			Bearing NDE Side	6306ZZ																						
				Moment of Inertia	-- kg.m2																						
				Noise Level	Per NEMA dB (A)																						
CT VFD Range		--		Loaded Torque Curves																							
				P1 = INPUT POWER (KW), S = Slip (% of Sync RPM), η = Efficiency (%), cosφ = Power Factor																							
Certifications	UL	CSA	DOE																								
File Numbers	323353	224693	096A																								
Wiring Diagram	3PH 9 Lead Dual Voltage																										
<p>3 Phase - YY/Y - 9 Lead 4,1 Blue / 5,2 White / 6,3 Org / 7 Yl / 8 Blk / 9 RD Cast Iron- 1,2,3 Top - 4,5,6,7,8,9 Bottom Aluminum - 4,5,6,8,9 Top - 1,2,3,7 Bottom</p> <p>CONNECTIONS</p> <table border="1"> <tr> <td>4</td><td>5</td><td>6</td> <td>4</td><td>5</td><td>6</td> </tr> <tr> <td>7</td><td>8</td><td>9</td> <td>7</td><td>8</td><td>9</td> </tr> <tr> <td>1</td><td>2</td><td>3</td> <td>1</td><td>2</td><td>3</td> </tr> <tr> <td colspan="3">LOW VOLTAGE</td> <td colspan="3">HIGH VOLTAGE</td> </tr> </table>						4	5	6	4	5	6	7	8	9	7	8	9	1	2	3	1	2	3	LOW VOLTAGE			HIGH VOLTAGE
4	5	6	4	5	6																						
7	8	9	7	8	9																						
1	2	3	1	2	3																						
LOW VOLTAGE			HIGH VOLTAGE																								

Model Number	WX3-AL-TF-182T-4-B-D-3-230 460-60
MFG PN	T182T3U4B
List Price	--
Base Frame	WX-182T-AL-TF

FRAME: 180T HP: RPM: PHASE: 3 VOLT: 208-230/460V ENCL: TEFC FREQ: 60 Hz FLA: LRA:



TECHTOP
MATERIAL: ALUMINUM
UNITS: INCH BY: SSEE
DRAWN: 11/16/2018
WWW.TECHTOP.COM

MODEL NUMBER:
GX3-AL-TF-180T
MFG PN:

REV.	BY	DATE
1		
2		
3		
4		
5		
6		
7		

CHANGES