



Model Number WX3-AL-TF-145TC-4-B-D-2-230|460-60

MFG PN T145T2U4B

List Price --

All data shown at HIGH voltage setting

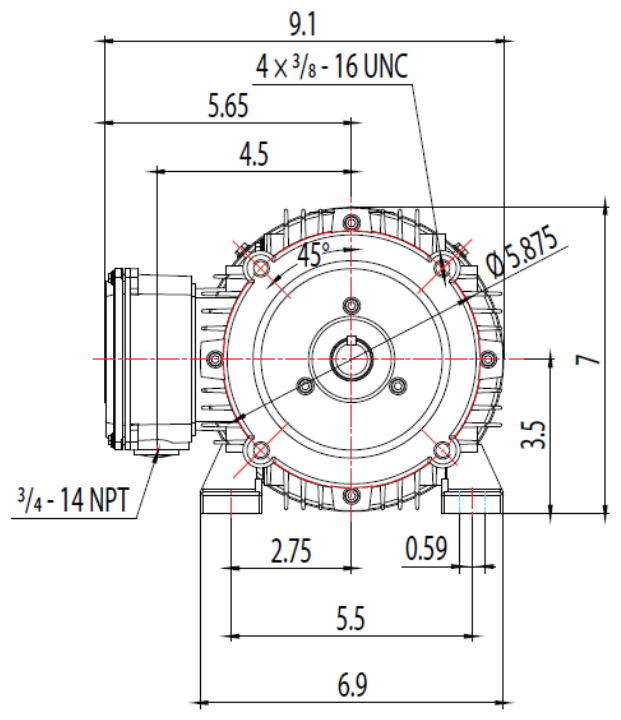
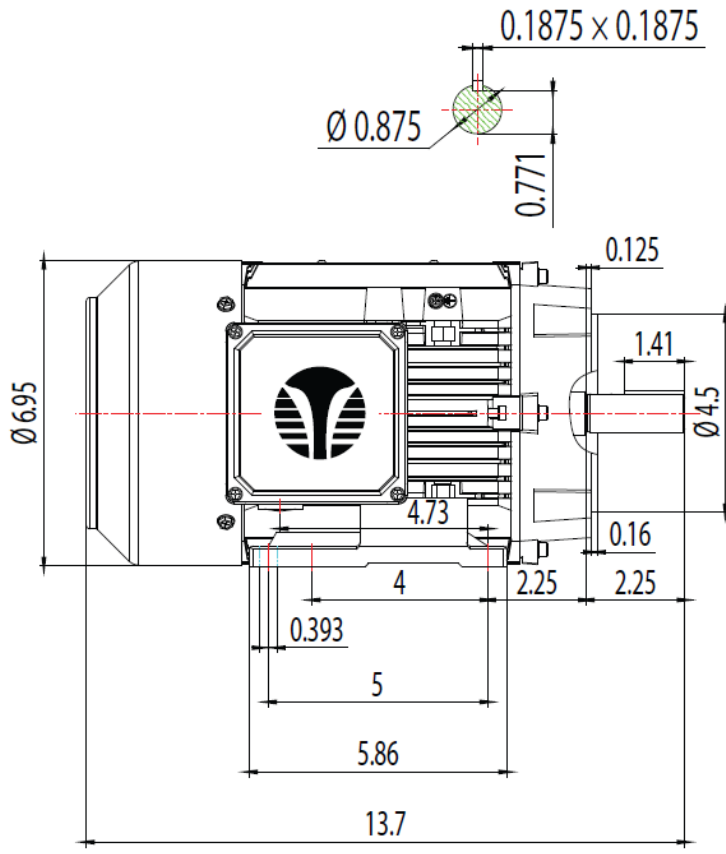
Format STD 3 Phase

| Electrical Data | | | | General Data | |
|--|----------------------------|---------|--------------|--|----------------------|
| Rated Motor Output Power | 2 HP | | | Frame Size | 145 |
| Rated Motor Speed | 1740 r/min | | | Enclosure | TEFC |
| Rated Motor Voltage (3 Phase) | 230 460-60 Volts - HZ | | | Approximate Weight | -- |
| Rated Motor Current | 5.58/2.79 Amps | | | NEMA Design | B |
| Service Factor | 1.25 | | | IP Rating | 56 |
| KVA Code | K | | | Insulation Class | F |
| Nominal Efficiency | 86.5 % | | | Tropicalization | YES |
| Nominal Power Factor | 0.78 cosθ | | | Duty | Cont. |
| Full Load Torque Ft-Lb | 6.05082784 Ft-Lb | | | Cable Entry | 1.25 |
| Temp Rise @ Full Load °C | 50 | | | Feet Removable | YES |
| Efficiency Level | IE3 - NEMA Premium | | | Double Drilled | NO |
| Load Data | RPM | Trq %FL | Current Amps | Rated Ambient (°C) | 40 |
| Locked Rotor | - | 338 | 28.78 | Rated Altitude (M) | 1000 |
| Breakdown | - | 387 | - | Coating | 7024 - Graphite Grey |
| Pull Up | - | 311 | - | Shaft Grounding | NO |
| 125% of FL | 1727.2 | - | 4.2781 | Brake Voltage (DC) | -- |
| 75% of FL | 1759.3 | - | 3.0522 | Brake Torque (N-M) | -- |
| 50% of FL | 1773.5 | - | 2.5722 | Mechanical Data | |
| No Load | -- | - | 2.167 | Bearing DE Side | 6205ZZ |
| Hazardous Location | Class 1, Div2, Grp A,B,C,D | | | Bearing NDE Side | 6205ZZ |
| | | | | Moment of Inertia | -- kg.m2 |
| | | | | Noise Level | Per NEMA dB (A) |
| CT VFD Range | | -- | | Loaded Torque Curves | |
| | | | | P1 = INPUT POWER (KW), S = Slip (% of Sync RPM), η = Efficiency (%), cosφ = Power Factor | |
| Certifications | UL | CSA | DOE | | |
| File Numbers | 323353 | 224693 | 096A | | |
| Wiring Diagram | 3PH 9 Lead Dual Voltage | | | | |
| 3 Phase - YY/Y - 9 Lead 4,1 Blue / 5,2 White / 6,3 Org / 7 Yl / 8 Blk / 9 RD Cast Iron- 1,2,3 Top - 4,5,6,7,8,9 Bottom Aluminum - 4,5,6,8,9 Top - 1,2,3,7 Bottom | | | | | |
| CONNECTIONS | | | | | |



| | |
|--------------|------------------------------------|
| Model Number | WX3-AL-TF-145TC-4-B-D-2-230 460-60 |
| MFG PN | T145T2U4B |
| List Price | -- |
| Base Frame | WX-145TC-AL-TF |

FRAME: 140TC | HP: | RPM: | PHASE: 3 | VOLT: 208-230/460V | ENCL: TEFC | FREQ: 60 Hz | FLA: | LRA:



TECHTOP
 MATERIAL: ALUMINUM
 UNITS: INCH BY: SSEE
 DRAWN: 11/16/2018
 WWW.TECHTOP.COM

| MODEL NUMBER: | REV. | BY | DATE | CHANGES |
|-----------------|------|----|------|---------|
| GX3-AL-TF-140TC | 1 | | | |
| MFG PN: | 2 | | | |
| | 3 | | | |
| | 4 | | | |
| | 5 | | | |
| | 6 | | | |
| | 7 | | | |

Techtop Industries -2815 Colonnades Court - Peachtree Corners, GA 30071 - Phone: (678) 436-5540