



**Model Number** WX3-AL-TF-145TC-4-B-D-1.5-230|460-60

**MFG PN** T145T1.5U4B

**List Price** --

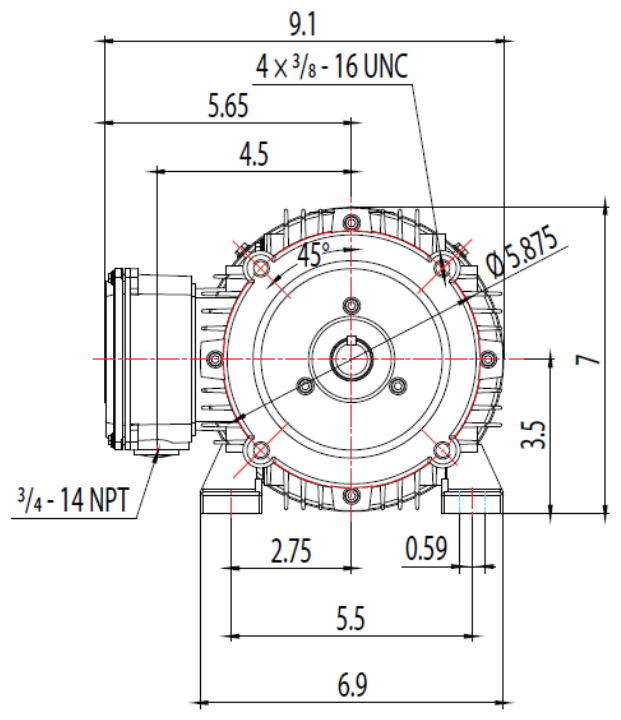
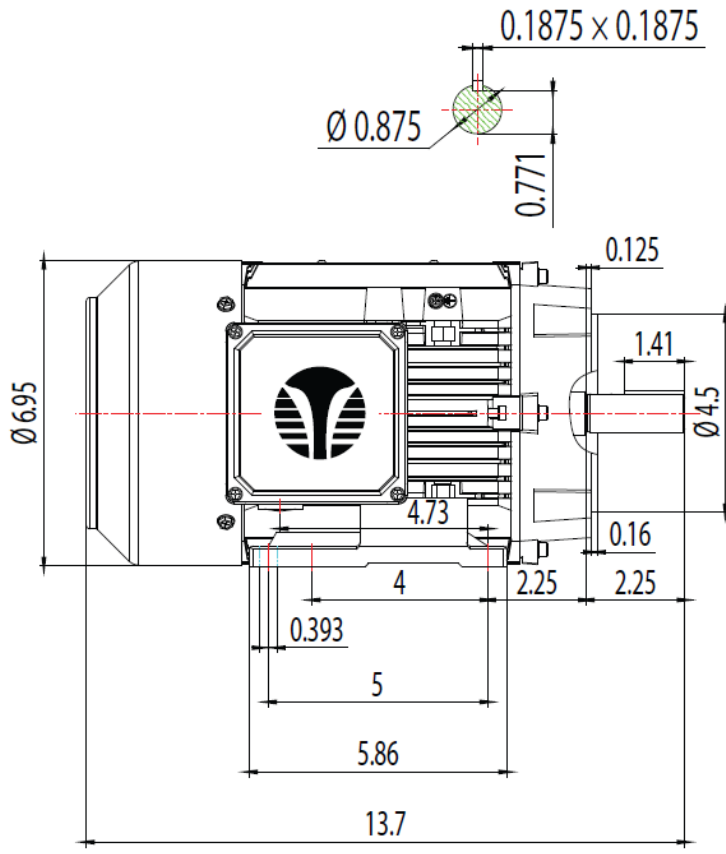
All data shown at HIGH voltage setting


Format | STD 3 Phase

Electrical Data				General Data	
Rated Motor Output Power	1.5 HP			Frame Size	145
Rated Motor Speed	1740 r/min			Enclosure	TEFC
Rated Motor Voltage (3 Phase)	230 460-60 Volts - HZ			Approximate Weight	--
Rated Motor Current	4.36/2.18 Amps			NEMA Design	B
Service Factor	1.25			IP Rating	56
KVA Code	K			Insulation Class	F
Nominal Efficiency	86.5 %			Tropicalization	YES
Nominal Power Factor	0.74 cosθ			Duty	Cont.
Full Load Torque Ft-Lb	3.26432256 Ft-Lb			Cable Entry	1.25
Temp Rise @ Full Load °C	36.8			Feet Removable	YES
Efficiency Level	IE3 - NEMA Premium			Double Drilled	NO
Load Data	RPM	Trq %FL	Current Amps	Rated Ambient (°C)	40
Locked Rotor	-	311	20.63	Rated Altitude (M)	1000
Breakdown	-	390	-	Coating	7024 - Graphite Grey
Pull Up	-	309	-	Shaft Grounding	NO
125% of FL	1738	-	2.87	Brake Voltage (DC)	--
75% of FL	1762	-	2.21	Brake Torque (N-M)	--
50% of FL	1775	-	1.91	Mechanical Data	
No Load	1796	-	1.65	Bearing DE Side	6205ZZ
Hazardous Location	Class 1, Div2, Grp A,B,C,D			Bearing NDE Side	6205ZZ
				Moment of Inertia	-- kg.m2
				Noise Level	Per NEMA dB (A)
CT VFD Range		--		Loaded Torque Curves	
				P1 = INPUT POWER (KW), S = Slip (% of Sync RPM), η = Efficiency (%), cosφ = Power Factor	
Certifications	UL	CSA	DOE		
File Numbers	323353	224693	096A		
Wiring Diagram	3PH 9 Lead Dual Voltage				
<b>3 Phase - YY/Y - 9 Lead</b> 4,1 Blue / 5,2 White / 6,3 Org / 7 Yl / 8 Blk / 9 RD Cast Iron- 1,2,3 Top - 4,5,6,7,8,9 Bottom Aluminum - 4,5,6,8,9 Top - 1,2,3,7 Bottom					
<b>CONNECTIONS</b> 					

Model Number	WX3-AL-TF-145TC-4-B-D-1.5-230 460-60
MFG PN	T145T1.5U4B
List Price	--
Base Frame	WX-145TC-AL-TF

FRAME: 140TC | HP: | RPM: | PHASE: 3 | VOLT: 208-230/460V | ENCL: TEFC | FREQ: 60 Hz | FLA: | LRA:



 MATERIAL: ALUMINUM UNITS: INCH BY: SSEE DRAWN: 11/16/2018 WWW.TECHTOP.COM	MODEL NUMBER:	REV.	BY	DATE	CHANGES
	GX3-AL-TF-140TC	1			
	MFG PN:	2			
		3			
		4			
		5			
		6			
	7				