



Model Number WX3-AL-TF-145T-6-B-D-1-230|460-60

MFG PN T145T1U6B

List Price --

All data shown at HIGH voltage setting

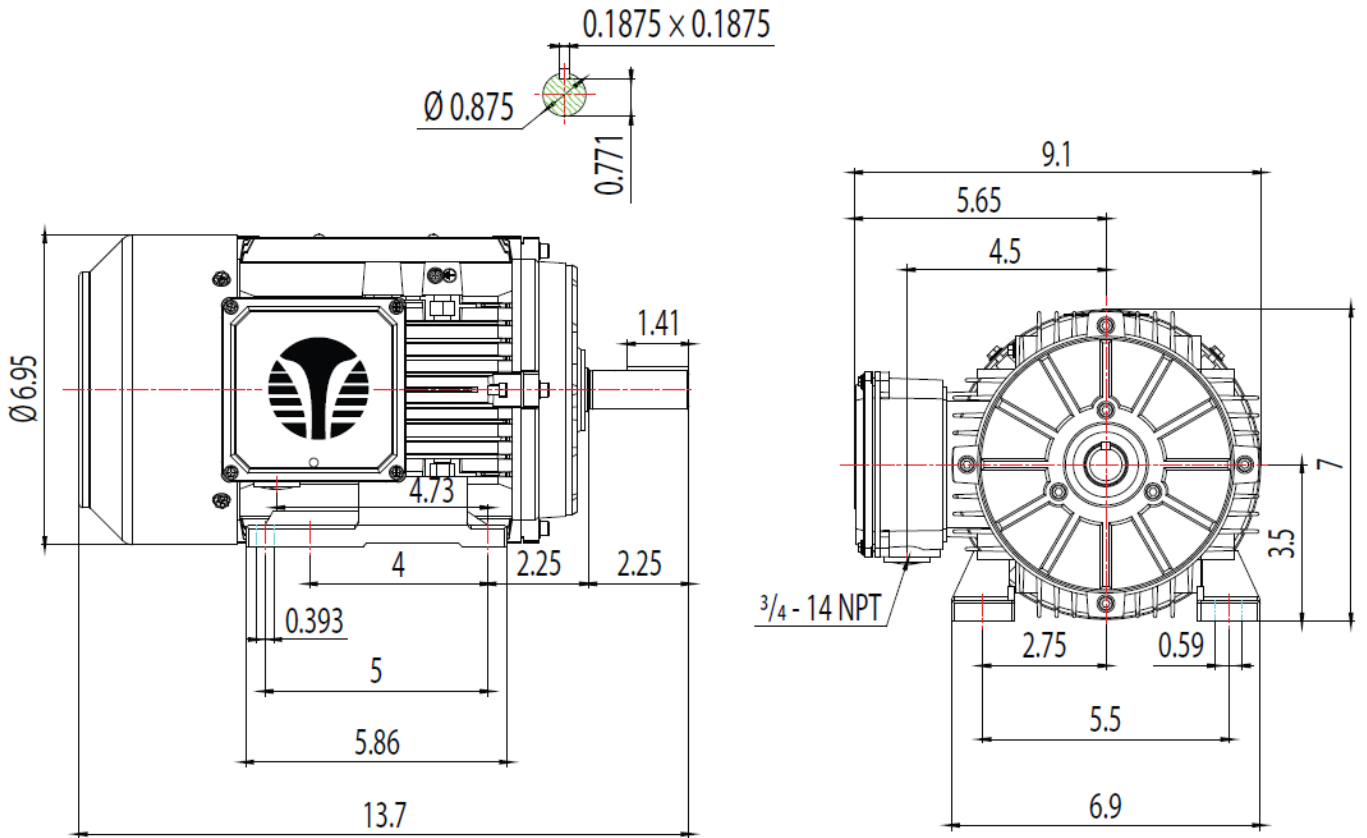
Format | STD 3 Phase

Electrical Data				General Data	
Rated Motor Output Power	1 HP			Frame Size	145
Rated Motor Speed	1145 r/min			Enclosure	TEFC
Rated Motor Voltage (3 Phase)	230 460-60 Volts - HZ			Approximate Weight	--
Rated Motor Current	3.26/1.63 Amps			NEMA Design	B
Service Factor	1.25			IP Rating	56
KVA Code	H			Insulation Class	F
Nominal Efficiency	82.5 %			Tropicalization	YES
Nominal Power Factor	0.68 cosθ			Duty	Cont.
Full Load Torque Ft-Lb	4.58801952 Ft-Lb			Cable Entry	1.25
Temp Rise @ Full Load °C	41.5			Feet Removable	YES
Efficiency Level	IE3 - NEMA Premium			Double Drilled	NO
Load Data	RPM	Trq %FL	Current Amps	Rated Ambient (°C)	40
Locked Rotor	-	194	8.46	Rated Altitude (M)	1000
Breakdown	-	278	-	Coating	7024 - Graphite Grey
Pull Up	-	218	-	Shaft Grounding	NO
125% of FL	1128.7	-	1.9246	Brake Voltage (DC)	--
75% of FL	1162.7	-	1.389	Brake Torque (N-M)	--
50% of FL	1176.3	-	1.2143	Mechanical Data	
No Load	--	-	1.078	Bearing DE Side	6205ZZ
Hazardous Location	Class 1, Div2, Grp A,B,C,D			Bearing NDE Side	6205ZZ
				Moment of Inertia	-- kg.m2
				Noise Level	Per NEMA dB (A)
CT VFD Range		--		Loaded Torque Curves	
				P1 = INPUT POWER (KW), S = Slip (% of Sync RPM), η = Efficiency (%), cosφ = Power Factor	
Certifications	UL	CSA	DOE		
File Numbers	323353	224693	096A		
Wiring Diagram	3PH 9 Lead Dual Voltage				
3 Phase - YY/Y - 9 Lead 4,1 Blue / 5,2 White / 6,3 Org / 7 Yl / 8 Blk / 9 RD Cast Iron- 1,2,3 Top - 4,5,6,7,8,9 Bottom Aluminum - 4,5,6,8,9 Top - 1,2,3,7 Bottom					
CONNECTIONS 					



Model Number	WX3-AL-TF-145T-6-B-D-1-230 460-60
MFG PN	T145T1U6B
List Price	--
Base Frame	WX-145T-AL-TF

FRAME: 140T	HP:	RPM:	PHASE: 3	VOLT: 208-230/460V	ENCL: TEFC	FREQ: 60 Hz	FLA:	LRA:
-------------	-----	------	----------	--------------------	------------	-------------	------	------



TECHTOP
 MATERIAL: ALUMINUM
 UNITS: INCH BY: SSEE
 DRAWN: 11/16/2018
 WWW.TECHTOP.COM

MODEL NUMBER:	REV.	BY	DATE	CHANGES
GX3-AL-TF-140T	1			
MFG PN:	2			
	3			
	4			
	5			
	6			
	7			

Techtop Industries -2815 Colonnades Court - Peachtree Corners, GA 30071 - Phone: (678) 436-5540