



Model Number SS3-TN-56C-4-D-1-RND-230|460-60

MFG PN TSSN56 1U4B

List Price --

All data shown at HIGH voltage setting

Format STD 3 Phase

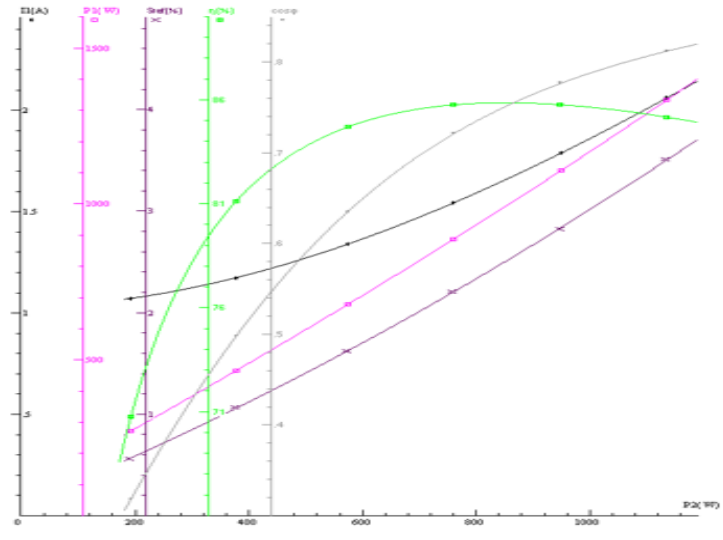
Electrical Data				General Data	
Rated Motor Output Power	1 HP			Frame Size	56
Rated Motor Speed	1760 r/min			Enclosure	TENV
Rated Motor Voltage (3 Phase)	230 460-60 Volts - HZ			Approximate Weight	47.9
Rated Motor Current	3.18/1.59 Amps			NEMA Design	B
Service Factor	1.25			IP Rating	69K
KVA Code	N			Insulation Class	F
Nominal Efficiency	86 %			Tropicalization	YES
Nominal Power Factor	0.68 cosθ			Duty	Cont.
Full Load Torque Ft-Lb	2.972528 Ft-Lb			Cable Entry	0
Temp Rise @ Full Load °C	33.7			Feet Removable	NO
Efficiency Level	IE3 - NEMA Premium			Double Drilled	0
Load Data	RPM	Trq %FL	Current Amps	Rated Ambient (°C)	40
Locked Rotor	-	307	7.7	Rated Altitude (M)	1000
Breakdown	-	399	-	Coating	unpainted - unpainted
Pull Up	-	267	-	Shaft Grounding	NO
125% of FL	1750	-	1.77	Brake Voltage (DC)	--
75% of FL	1771	-	1.32	Brake Torque (N-M)	--
50% of FL	1781	-	1.17	Mechanical Data	
No Load	--	-	1.03	Bearing DE Side	6205 2RS
Hazardous Location	--			Bearing NDE Side	6204 2RS
				Moment of Inertia	-- kg.m2
				Noise Level	Per NEMA dB (A)

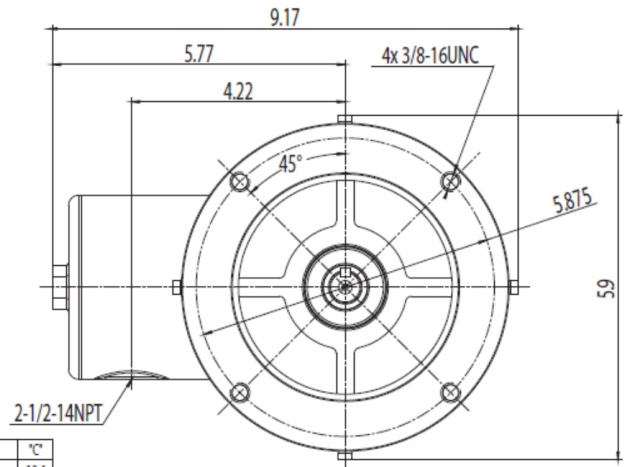
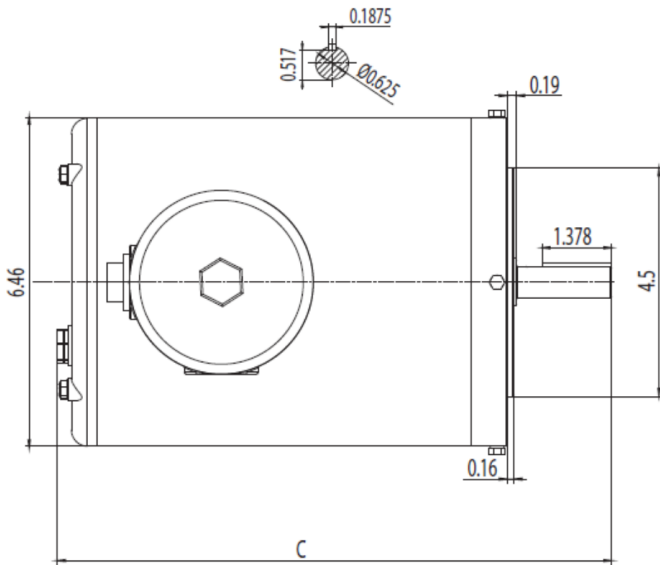
CT VFD Range	--	Loaded Torque Curves	--
P1 = INPUT POWER (KW), S = Slip (% of Sync RPM), η = Efficiency (%), cosφ = Power Factor			

Certifications	UL	CSA	DOE
File Numbers	323353	224693	096A
Wiring Diagram	3PH 9 Lead Dual Voltage		

3 Phase - YY/Y - 9 Lead
 4,1 Blue / 5,2 White / 6,3 Org / 7 Yl / 8 Blk / 9 RD
 Cast Iron- 1,2,3 Top - 4,5,6,7,8,9 Bottom
 Aluminum - 4,5,6,8,9 Top - 1,2,3,7 Bottom

CONNECTIONS					
4	5	6	4	5	6
7	8	9	7	8	9
1	2	3	1	2	3
LOW VOLTAGE			HIGH VOLTAGE		





HP	°C
0.5 2P	10.4
0.33 4P	10.4
0.5 4P	11
0.75 2P	11
0.75 4P	11.6

MODEL NUMBER	RN-56C-AL-TN	ISSUE DATE:	5/2025
DIMENSIONS	IN		
CASTING MATERIAL	ALUMINUM	WWW.TECHTOPIND.COM	

Techtop Industries -2815 Colonnades Court - Peachtree Corners, GA 30071 - Phone: (678) 436-5540

Techtop Industries -2815 Colonnades Court - Peachtree Corners, GA 30071 - Phone: (678) 436-5540