



Model Number SS3-TN-56C-4-D-0.5-230|460-60

MFG PN TSSN56 1/2U4B

List Price --

All data shown at HIGH voltage setting

Format STD 3 Phase

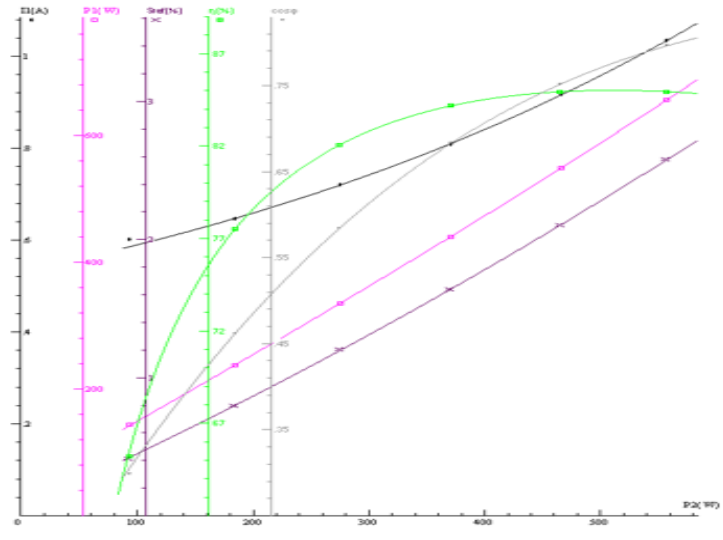
Electrical Data				General Data	
Rated Motor Output Power	0.5 HP			Frame Size	56
Rated Motor Speed	1760 r/min			Enclosure	TENV
Rated Motor Voltage (3 Phase)	230 460-60 Volts - HZ			Approximate Weight	38.5
Rated Motor Current	1.64/0.82 Amps			NEMA Design	B
Service Factor	1.25			IP Rating	69K
KVA Code	N			Insulation Class	F
Nominal Efficiency	84 %			Tropicalization	YES
Nominal Power Factor	0.68 cosθ			Duty	Cont.
Full Load Torque Ft-Lb	1.504704 Ft-Lb			Cable Entry	0
Temp Rise @ Full Load °C	37.5			Feet Removable	NO
Efficiency Level	IE3 - NEMA Premium			Double Drilled	0
Load Data	RPM	Trq %FL	Current Amps	Rated Ambient (°C)	40
Locked Rotor	-	323	0.8	Rated Altitude (M)	1000
Breakdown	-	488	-	Coating	unpainted - unpainted
Pull Up	-	314	-	Shaft Grounding	NO
125% of FL	1761	-	1.1	Brake Voltage (DC)	--
75% of FL	1777	-	0.9	Brake Torque (N-M)	--
50% of FL	1784	-	0.9	Mechanical Data	
No Load	--	-	0.6	Bearing DE Side	6205 2RS
Hazardous Location	--			Bearing NDE Side	6204 2RS
				Moment of Inertia	-- kg.m2
				Noise Level	Per NEMA dB (A)

CT VFD Range	--	Loaded Torque Curves	--
P1 = INPUT POWER (KW), S = Slip (% of Sync RPM), η = Efficiency (%), cosφ = Power Factor			

Certifications	UL	CSA	DOE
File Numbers	323353	224693	096A
Wiring Diagram	3PH 9 Lead Dual Voltage		

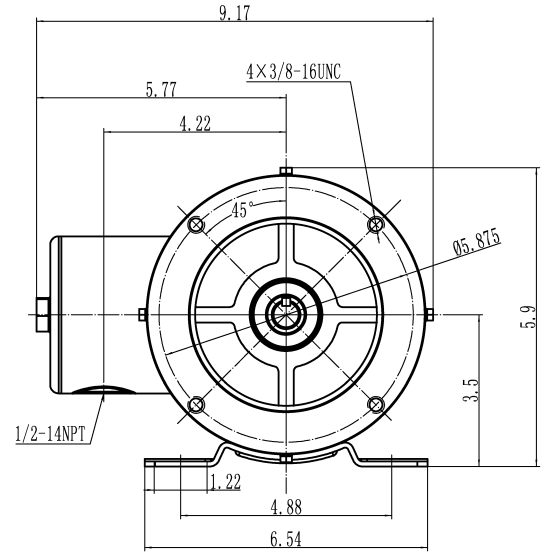
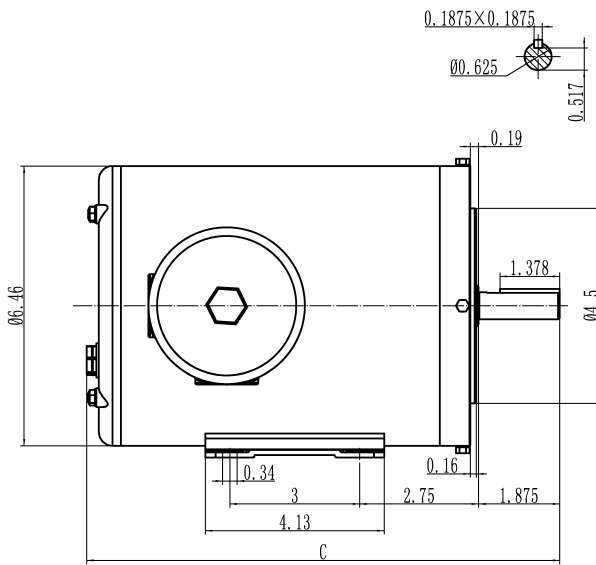
3 Phase - YY/Y - 9 Lead
 4,1 Blue / 5,2 White / 6,3 Org / 7 Yl / 8 Blk / 9 RD
 Cast Iron- 1,2,3 Top - 4,5,6,7,8,9 Bottom
 Aluminum - 4,5,6,8,9 Top - 1,2,3,7 Bottom

CONNECTIONS					
4	5	6	4	5	6
7	8	9	7	8	9
1	2	3	1	2	3
LOW VOLTAGE			HIGH VOLTAGE		



Model Number	SS3-TN-56C-4-D-0.5-230 460-60
MFG PN	TSSN56 1/2U4B
List Price	--
Base Frame	SS-56C-SS-TN

FRAME: HP: RPM: PHASE: VOLT: ENCL: FREQ: FLA: LRA:



TSSN56 3/4U2B	3/4	11
TSSN56 1/2U2B	1/2	10.4
TSSN56 3/4U4B	3/4	11.6
TSSN56 1/2U4B	1/2	11
型号	功率 (HP)	C



MODEL: TSSN56
REV.DESC:

SCALE: 1:2
VERSION:

DATE:
REVISED:

UNITS:

BY:

WWW.TECHTOP.COM