



**Model Number** SS3-TN-56C-4-D-0.5-RND-230|460-60

**MFG PN** TSSN56 1/2U4B

**List Price** --

All data shown at HIGH voltage setting

Format | STD 3 Phase

Electrical Data		General Data	
Rated Motor Output Power	0.5 HP	Frame Size	56
Rated Motor Speed	1760 r/min	Enclosure	TENV
Rated Motor Voltage (3 Phase)	230 460-60 Volts - HZ	Approximate Weight	38.5
Rated Motor Current	1.64/0.82 Amps	NEMA Design	B
Service Factor	1.25	IP Rating	69K
KVA Code	N	Insulation Class	F
Nominal Efficiency	84 %	Tropicalization	YES
Nominal Power Factor	0.68 cosθ	Duty	Cont.
Full Load Torque Ft-Lb	1.504704 Ft-Lb	Cable Entry	0
Temp Rise @ Full Load °C	37.5	Feet Removable	NO
Efficiency Level	IE3 - NEMA Premium	Double Drilled	0

Load Data	RPM	Trq %FL	Current Amps	Mechanical Data	
Locked Rotor	-	323	0.8	Rated Ambient (°C)	40
Breakdown	-	488	-	Rated Altitude (M)	1000
Pull Up	-	314	-	Coating	unpainted - unpainted
125% of FL	1761	-	1.1	Shaft Grounding	NO
75% of FL	1777	-	0.9	Brake Voltage (DC)	--
50% of FL	1784	-	0.9	Brake Torque (N-M)	--
No Load	--	-	0.6		

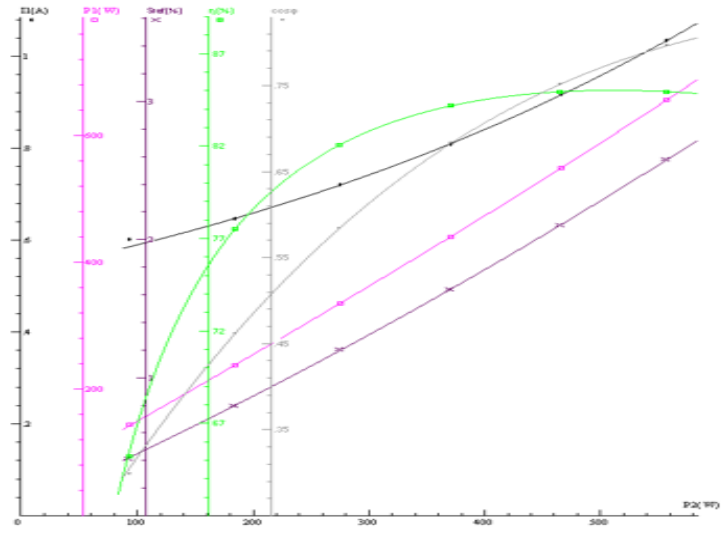
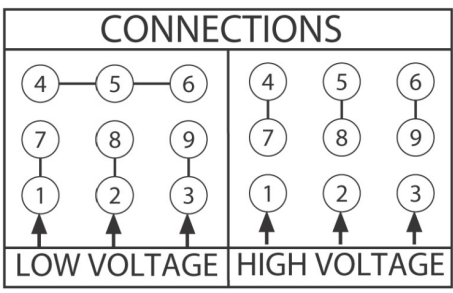
Hazardous Location	--	Bearing DE Side	6205 2RS
		Bearing NDE Side	6204 2RS
		Moment of Inertia	-- kg.m2
		Noise Level	Per NEMA dB (A)

CT VFD Range	--	<b>Loaded Torque Curves</b>	--
<b>P1 = INPUT POWER (KW), S = Slip (% of Sync RPM), η = Efficiency (%), cosφ = Power Factor</b>			

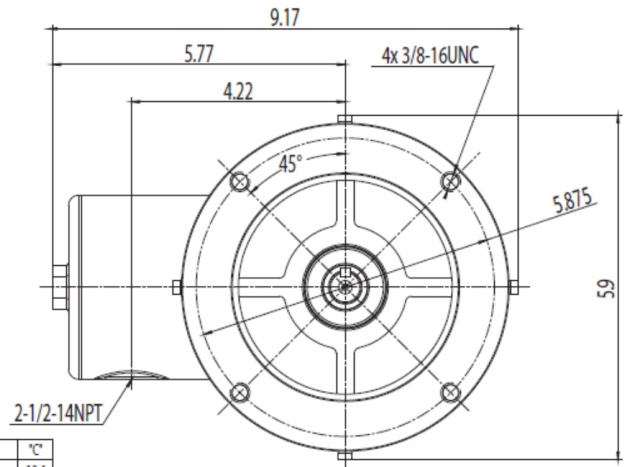
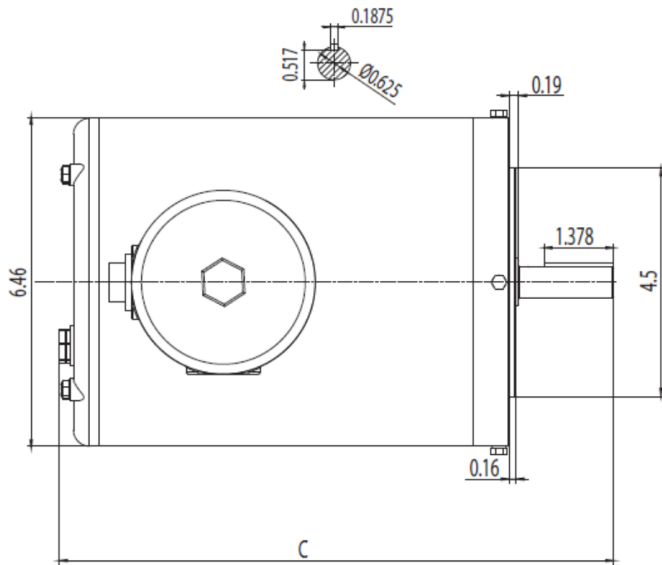
Certifications	UL	CSA	DOE
File Numbers	323353	224693	096A

**Wiring Diagram** 3PH 9 Lead Dual Voltage

**3 Phase - YY/Y - 9 Lead**  
 4,1 Blue / 5,2 White / 6,3 Org / 7 Yl / 8 Blk / 9 RD  
 Cast Iron- 1,2,3 Top - 4,5,6,7,8,9 Bottom  
 Aluminum - 4,5,6,8,9 Top - 1,2,3,7 Bottom



Model Number	SS3-TN-56C-4-D-0.5-RND-230 460-60
MFG PN	TSSN56 1/2U4B
List Price	--
Base Frame	RN-56C-SS-TN



HP	°C
0.5 2P	10.4
0.33 4P	10.4
0.5 4P	11
0.75 2P	11
0.75 4P	11.6

MODEL NUMBER	RN-56C-AL-TN	ISSUE DATE:	5/2025
DIMENSIONS	IN		
CASTING MATERIAL	ALUMINUM	WWW.TECHTOPIND.COM	

Techtop Industries -2815 Colonnades Court - Peachtree Corners, GA 30071 - Phone: (678) 436-5540

Techtop Industries -2815 Colonnades Court - Peachtree Corners, GA 30071 - Phone: (678) 436-5540