



Model Number SS3-TN-56C-2-D-0.5-RND-230|460-60

MFG PN TSSN56 1/2U2B

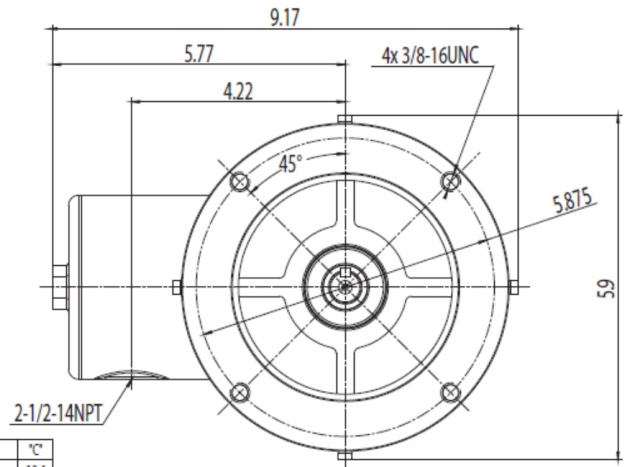
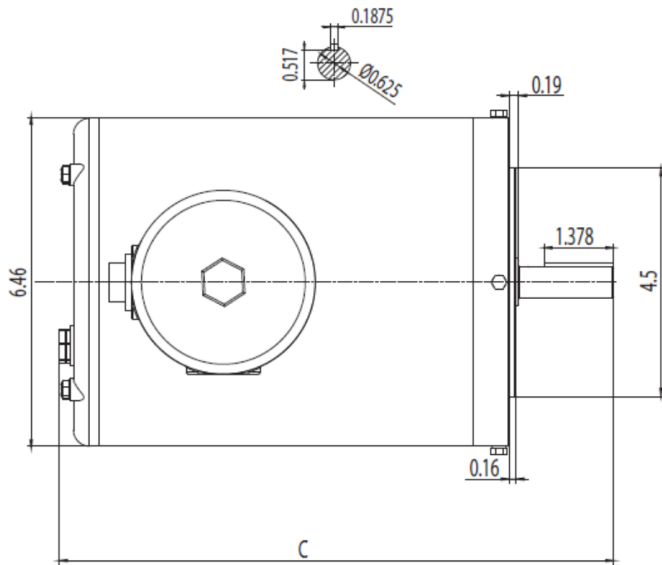
List Price --

All data shown at HIGH voltage setting

Format STD 3 Phase

Electrical Data				General Data	
Rated Motor Output Power	0.5 HP			Frame Size	56
Rated Motor Speed	3510 r/min			Enclosure	TENV
Rated Motor Voltage (3 Phase)	230 460-60 Volts - HZ			Approximate Weight	34.7
Rated Motor Current	1.37/0.68 Amps			NEMA Design	B
Service Factor	1.25			IP Rating	69K
KVA Code	M			Insulation Class	F
Nominal Efficiency	82.5 %			Tropicalization	YES
Nominal Power Factor	0.83 cosθ			Duty	Cont.
Full Load Torque Ft-Lb	0.759728 Ft-Lb			Cable Entry	0
Temp Rise @ Full Load °C	45			Feet Removable	NO
Efficiency Level	IE3 - NEMA Premium			Double Drilled	0
Load Data	RPM	Trq %FL	Current Amps	Rated Ambient (°C)	40
Locked Rotor	-	280	6.25	Rated Altitude (M)	1000
Breakdown	-	383	-	Coating	unpainted - unpainted
Pull Up	-	234	-	Shaft Grounding	NO
125% of FL	3494	-	0.811	Brake Voltage (DC)	--
75% of FL	3538	-	0.56	Brake Torque (N-M)	--
50% of FL	3558	-	0.46	Mechanical Data	
No Load	--	-	0.34	Bearing DE Side	6205 2RS
Hazardous Location	--			Bearing NDE Side	6204 2RS
				Moment of Inertia	-- kg.m2
				Noise Level	Per NEMA dB (A)
CT VFD Range		--		Loaded Torque Curves	
				P1 = INPUT POWER (KW), S = Slip (% of Sync RPM), η = Efficiency (%), cosφ = Power Factor	
Certifications	UL	CSA	DOE		
File Numbers	323353	224693	096A		
Wiring Diagram	3PH 9 Lead Dual Voltage				
3 Phase - YY/Y - 9 Lead 4,1 Blue / 5,2 White / 6,3 Org / 7 Yl / 8 Blk / 9 RD Cast Iron- 1,2,3 Top - 4,5,6,7,8,9 Bottom Aluminum - 4,5,6,8,9 Top - 1,2,3,7 Bottom					
CONNECTIONS					
LOW VOLTAGE		HIGH VOLTAGE			

Model Number	SS3-TN-56C-2-D-0.5-RND-230 460-60
MFG PN	TSSN56 1/2U2B
List Price	--
Base Frame	RN-56C-SS-TN



HP	°C
0.5 2P	10.4
0.33 4P	10.4
0.5 4P	11
0.75 2P	11
0.75 4P	11.6

MODEL NUMBER	RN-56C-AL-TN	ISSUE DATE:	5/2025
DIMENSIONS	IN		
CASTING MATERIAL	ALUMINUM	WWW.TECHTOPIND.COM	

Techtop Industries -2815 Colonnades Court - Peachtree Corners, GA 30071 - Phone: (678) 436-5540

Techtop Industries -2815 Colonnades Court - Peachtree Corners, GA 30071 - Phone: (678) 436-5540