



**Model Number** SS3-TF-56HC-4-D-2-230|460-60

**MFG PN** TSSF145T2U4B

**List Price** --

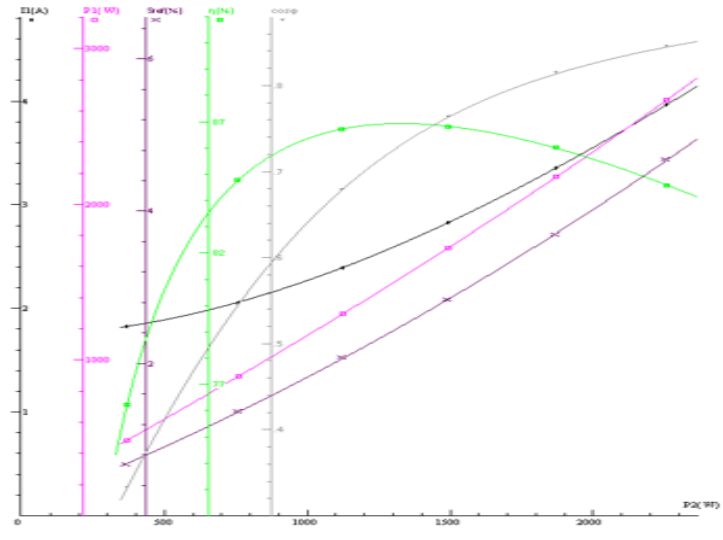
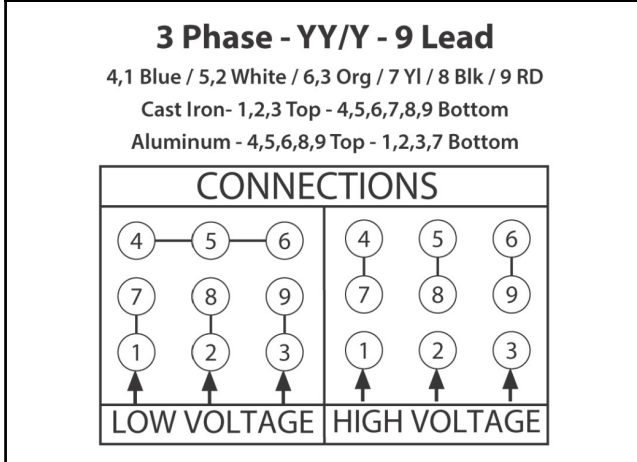
All data shown at HIGH voltage setting

Format STD 3 Phase

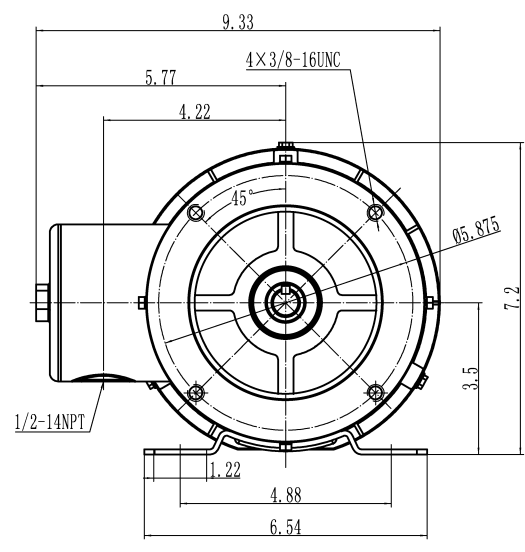
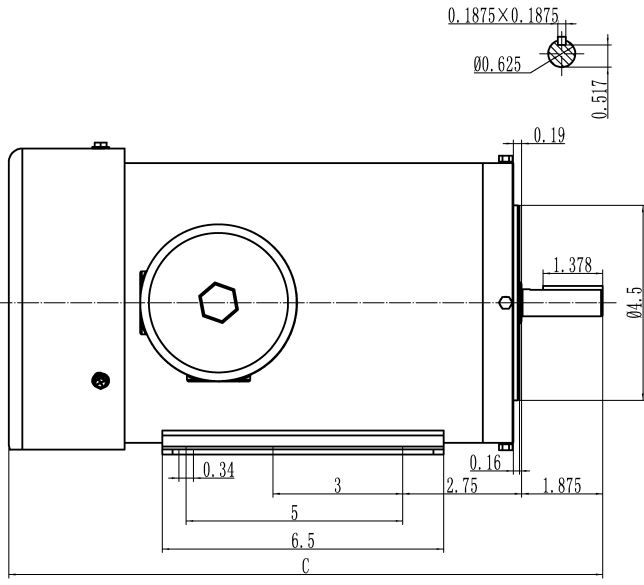
Electrical Data				General Data	
Rated Motor Output Power	2 HP			Frame Size	145
Rated Motor Speed	1750 r/min			Enclosure	TEFC
Rated Motor Voltage (3 Phase)	230 460-60 Volts - HZ			Approximate Weight	59.8
Rated Motor Current	5.77/2.89 Amps			NEMA Design	B
Service Factor	1.25			IP Rating	69K
KVA Code	K			Insulation Class	F
Nominal Efficiency	86.5 %			Tropicalization	YES
Nominal Power Factor	0.75 cosθ			Duty	Cont.
Full Load Torque Ft-Lb	6.04832 Ft-Lb			Cable Entry	0
Temp Rise @ Full Load °C	56.3			Feet Removable	NO
Efficiency Level	IE3 - NEMA Premium			Double Drilled	0
Load Data	RPM	Trq %FL	Current Amps	Rated Ambient (°C)	40
Locked Rotor	-	316	7.95	Rated Altitude (M)	1000
Breakdown	-	375	-	Coating	unpainted - unpainted
Pull Up	-	278	-	Shaft Grounding	NO
125% of FL	1733	-	3.36	Brake Voltage (DC)	0
75% of FL	1763	-	2.39	Brake Torque (N-M)	0
50% of FL	1776	-	2.05	Mechanical Data	
No Load	0	-	1.76	Bearing DE Side	6205 2RS
Hazardous Location	--			Bearing NDE Side	6204 2RS
				Moment of Inertia	-- kg.m2
				Noise Level	Per NEMA dB (A)

CT VFD Range	--	<b>Loaded Torque Curves</b>	--
<b>P1 = INPUT POWER (KW), S = Slip (% of Sync RPM), η = Efficiency (%), cosφ = Power Factor</b>			


Certifications	UL	CSA	DOE
File Numbers	323353	224693	096A
Wiring Diagram	3PH 9 Lead Dual Voltage		



FRAME:    HP:    RPM:    PHASE:    VOLT:    ENCL:    FREQ:    FLA:    LRA:



TSSF56H3U2B	3	14.6
TSSF56H2U2B	2	13.8
TSSF56H1.5U2B	1.5	13.2
TSSF56H2U4B	2	14.6
TSSF56H1.5U4B	1.5	13.8
TSSF56H1U4B	1	13.2
型号	功率 (HP)	C

	MODEL:	TSSF56H	SCALE:	1:2	DATE:	UNITS:	
	REV.DESC:		VERSION:		REVISED:	BY:	WWW.TECHTOP.COM