



Model Number SS3-TF-56HC-4-D-1.5-230|460-60

MFG PN TSSF56H1.5U4B

List Price --

All data shown at HIGH voltage setting

Format STD 3 Phase

Electrical Data		General Data	
Rated Motor Output Power	1.5 HP	Frame Size	56
Rated Motor Speed	1750 r/min	Enclosure	TEFC
Rated Motor Voltage (3 Phase)	230 460-60 Volts - HZ	Approximate Weight	53.2
Rated Motor Current	4.45/2.22 Amps	NEMA Design	B
Service Factor	1.25	IP Rating	69K
KVA Code	K	Insulation Class	F
Nominal Efficiency	86.5 %	Tropicalization	YES
Nominal Power Factor	0.73 cosθ	Duty	Cont.
Full Load Torque Ft-Lb	4.46248 Ft-Lb	Cable Entry	0
Temp Rise @ Full Load °C	49.1	Feet Removable	NO
Efficiency Level	IE3 - NEMA Premium	Double Drilled	0

Load Data	RPM	Trq %FL	Current Amps	Mechanical Data	
Locked Rotor	-	318	7.69	Rated Ambient (°C)	40
Breakdown	-	396	-	Rated Altitude (M)	1000
Pull Up	-	309	-	Coating	unpainted - unpainted
125% of FL	1730	-	2.52	Shaft Grounding	NO
75% of FL	1761	-	1.85	Brake Voltage (DC)	--
50% of FL	1774	-	1.61	Brake Torque (N-M)	--
No Load	--	-	1.41		

Hazardous Location	--	Bearing DE Side	6205 2RS
		Bearing NDE Side	6204 2RS
		Moment of Inertia	-- kg.m2
		Noise Level	Per NEMA dB (A)

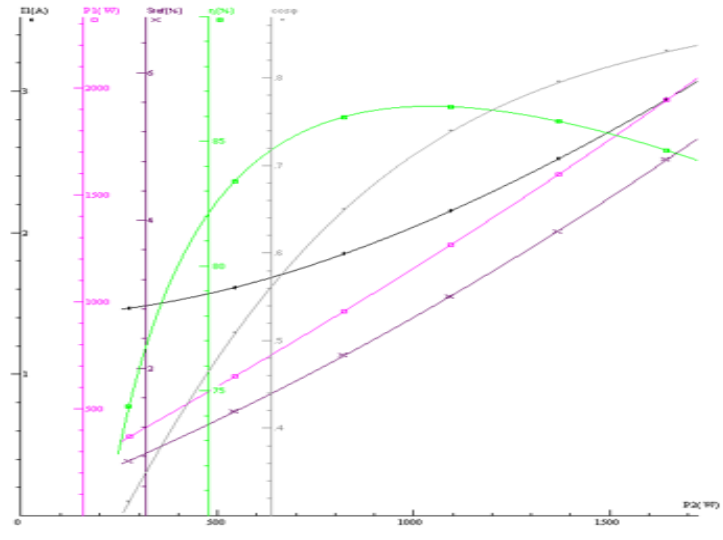
CT VFD Range	--	Loaded Torque Curves	
		P1 = INPUT POWER (KW), S = Slip (% of Sync RPM), η = Efficiency (%), cosφ = Power Factor	

Certifications	UL	CSA	DOE
File Numbers	323353	224693	096A
Wiring Diagram	3PH 9 Lead Dual Voltage		

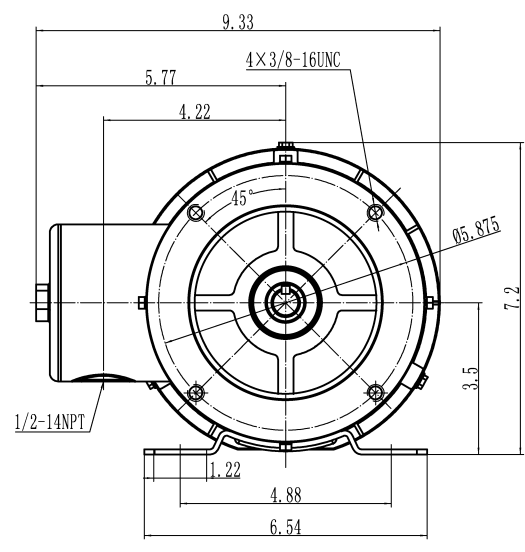
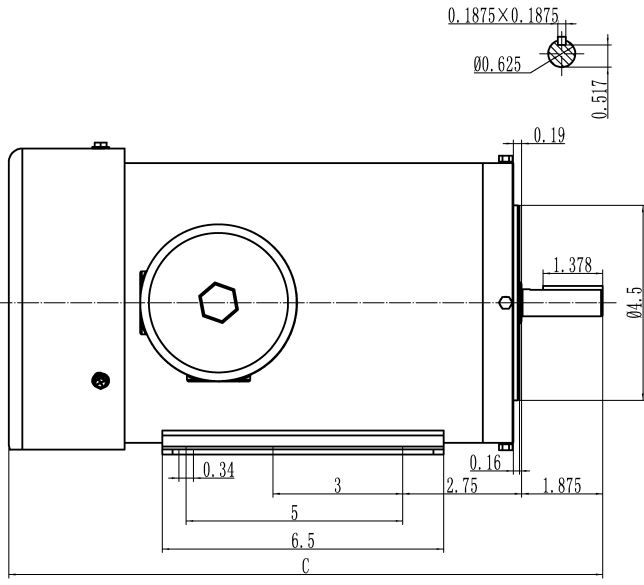
3 Phase - YY/Y - 9 Lead
 4,1 Blue / 5,2 White / 6,3 Org / 7 Yl / 8 Blk / 9 RD
 Cast Iron- 1,2,3 Top - 4,5,6,7,8,9 Bottom
 Aluminum - 4,5,6,8,9 Top - 1,2,3,7 Bottom

CONNECTIONS


4	5	6	4	5	6
7	8	9	7	8	9
1	2	3	1	2	3
↑ LOW VOLTAGE			↑ HIGH VOLTAGE		



FRAME: HP: RPM: PHASE: VOLT: ENCL: FREQ: FLA: LRA:



TSSF56H3U2B	3	14.6
TSSF56H2U2B	2	13.8
TSSF56H1.5U2B	1.5	13.2
TSSF56H2U4B	2	14.6
TSSF56H1.5U4B	1.5	13.8
TSSF56H1U4B	1	13.2
型号	功率 (HP)	C

	MODEL:	TSSF56H	SCALE:	1:2	DATE:	UNITS:	
	REV.DESC:		VERSION:		REVISED:	BY:	WWW.TECHTOP.COM