



Model Number SS3-TF-56C-4-D-2-RND-230|460-60

MFG PN TSSF56 2U4B

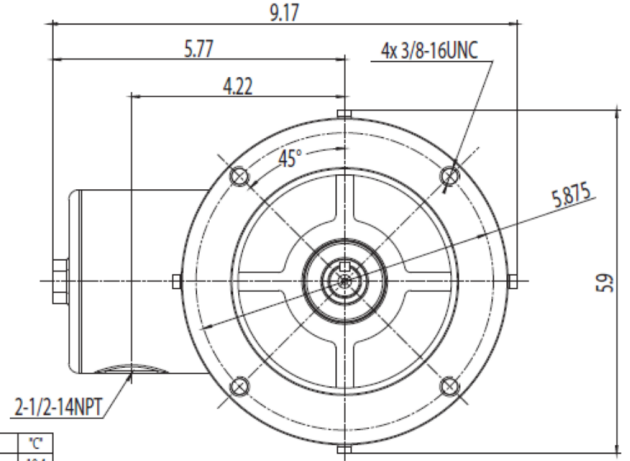
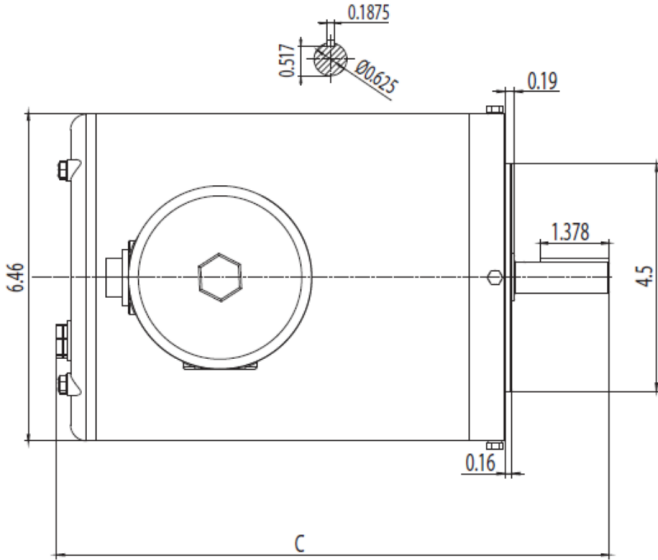
List Price --

All data shown at HIGH voltage setting

Format STD 3 Phase

Electrical Data				General Data			
Rated Motor Output Power	2 HP			Frame Size	56		
Rated Motor Speed	1750 r/min			Enclosure	TEFC		
Rated Motor Voltage (3 Phase)	230 460-60 Volts - HZ			Approximate Weight	58.5		
Rated Motor Current	5.77/2.89 Amps			NEMA Design	B		
Service Factor	1.25			IP Rating	69K		
KVA Code	K			Insulation Class	F		
Nominal Efficiency	86.5 %			Tropicalization	YES		
Nominal Power Factor	0.75 cosθ			Duty	Cont.		
Full Load Torque Ft-Lb	6.04832 Ft-Lb			Cable Entry	0		
Temp Rise @ Full Load °C	56.3			Feet Removable	NO		
Efficiency Level	IE3 - NEMA Premium			Double Drilled	0		
Load Data	RPM	Trq %FL	Current Amps	Rated Ambient (°C)	40		
Locked Rotor	-	316	7.95	Rated Altitude (M)	1000		
Breakdown	-	375	-	Coating	unpainted - unpainted		
Pull Up	-	278	-	Shaft Grounding	NO		
125% of FL	1733	-	3.36	Brake Voltage (DC)	--		
75% of FL	1763	-	2.39	Brake Torque (N-M)	--		
50% of FL	1776	-	2.05	Mechanical Data			
No Load	--	-	1.76	Bearing DE Side	6205 2RS		
Hazardous Location	--			Bearing NDE Side	6204 2RS		
				Moment of Inertia	-- kg.m2		
				Noise Level	Per NEMA dB (A)		
CT VFD Range		--		Loaded Torque Curves			
				P1 = INPUT POWER (KW), S = Slip (% of Sync RPM), η = Efficiency (%), cosφ = Power Factor			
Certifications	UL	CSA	DOE	<div style="border: 1px solid gray; border-radius: 10px; padding: 10px; text-align: center; margin-top: 20px;"> <p>⊘ File Unavailable</p> <p>Please contact Techtop Engineering to request this data numana@techttopind.com</p> </div>			
File Numbers	323353	224693	096A				
Wiring Diagram	3PH 9 Lead Dual Voltage						
3 Phase - YY/Y - 9 Lead							
4,1 Blue / 5,2 White / 6,3 Org / 7 Yl / 8 Blk / 9 RD							
Cast Iron- 1,2,3 Top - 4,5,6,7,8,9 Bottom							
Aluminum - 4,5,6,8,9 Top - 1,2,3,7 Bottom							
CONNECTIONS							
LOW VOLTAGE			HIGH VOLTAGE				

Model Number	SS3-TF-56C-4-D-2-RND-230 460-60
MFG PN	TSSF56 2U4B
List Price	--
Base Frame	RN-56C-SS-TF



HP	"C"
0.5 2P	10.4
0.33 4P	10.4
0.5 4P	11
0.75 2P	11
0.75 4P	11.6

MODEL NUMBER	RN-56C-AL-TF	ISSUE DATE:	5/2025
DIMENSIONS	IN		
CASTING MATERIAL	ALUMINUM	WWW.TECHTOPIND.COM	

Techtop Industries -2815 Colonnades Court - Peachtree Corners, GA 30071 - Phone: (678) 436-5540

Techtop Industries -2815 Colonnades Court - Peachtree Corners, GA 30071 - Phone: (678) 436-5540