



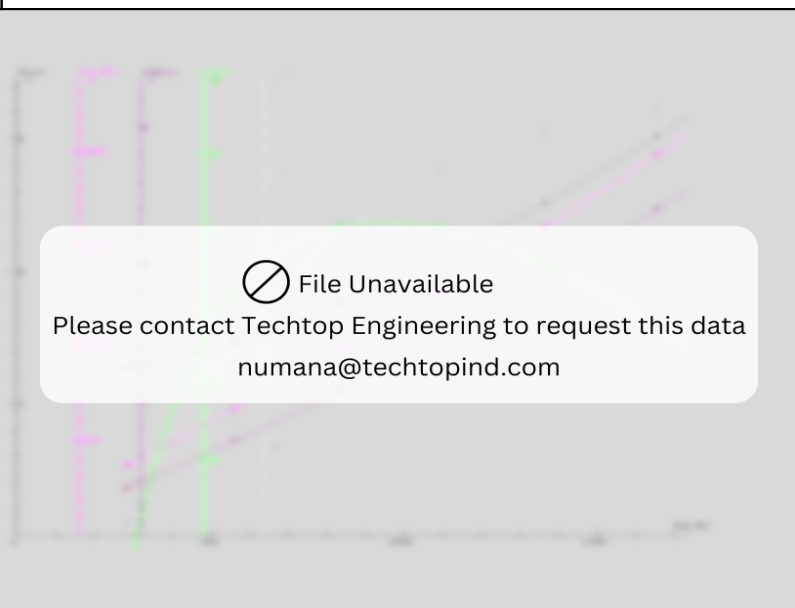
Model Number SS3-TF-56C-4-D-1.5-RND-230|460-60

MFG PN TSSF56 1.5U4B

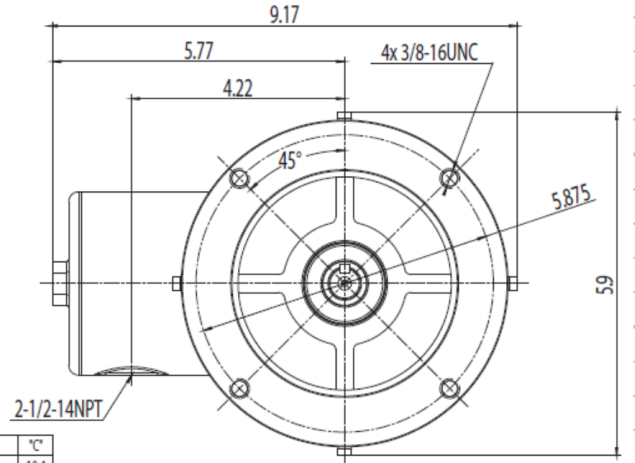
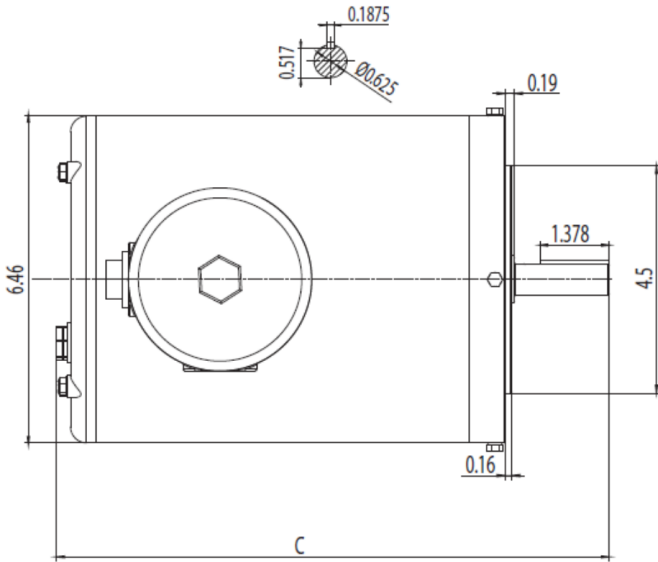
List Price --

All data shown at HIGH voltage setting

Format | STD 3 Phase

Electrical Data				General Data																															
Rated Motor Output Power	1.5 HP			Frame Size	56																														
Rated Motor Speed	1750 r/min			Enclosure	TEFC																														
Rated Motor Voltage (3 Phase)	230 460-60 Volts - HZ			Approximate Weight	53																														
Rated Motor Current	4.45/2.22 Amps			NEMA Design	B																														
Service Factor	1.25			IP Rating	69K																														
KVA Code	K			Insulation Class	F																														
Nominal Efficiency	86.5 %			Tropicalization	YES																														
Nominal Power Factor	0.73 cosθ			Duty	Cont.																														
Full Load Torque Ft-Lb	4.46248 Ft-Lb			Cable Entry	0																														
Temp Rise @ Full Load °C	49.1			Feet Removable	NO																														
Efficiency Level	IE3 - NEMA Premium			Double Drilled	0																														
Load Data	RPM	Trq %FL	Current Amps	Rated Ambient (°C)	40																														
Locked Rotor	-	318	7.69	Rated Altitude (M)	1000																														
Breakdown	-	396	-	Coating	unpainted - unpainted																														
Pull Up	-	309	-	Shaft Grounding	NO																														
125% of FL	1730	-	2.52	Brake Voltage (DC)	--																														
75% of FL	1761	-	1.85	Brake Torque (N-M)	--																														
50% of FL	1774	-	1.61	Mechanical Data																															
No Load	--	-	1.41	Bearing DE Side	6205 2RS																														
Hazardous Location	--			Bearing NDE Side	6204 2RS																														
				Moment of Inertia	-- kg.m2																														
				Noise Level	Per NEMA dB (A)																														
CT VFD Range		--		Loaded Torque Curves																															
				P1 = INPUT POWER (KW), S = Slip (% of Sync RPM), η = Efficiency (%), cosφ = Power Factor																															
Certifications	UL	CSA	DOE	 <p>File Unavailable Please contact Techtop Engineering to request this data numana@techttopind.com</p>																															
File Numbers	323353	224693	096A																																
Wiring Diagram	3PH 9 Lead Dual Voltage																																		
<p>3 Phase - YY/Y - 9 Lead 4,1 Blue / 5,2 White / 6,3 Org / 7 Yl / 8 Blk / 9 RD Cast Iron- 1,2,3 Top - 4,5,6,7,8,9 Bottom Aluminum - 4,5,6,8,9 Top - 1,2,3,7 Bottom</p> <p style="text-align: center;">CONNECTIONS</p> <table border="1" style="margin-left: auto; margin-right: auto;"> <tr> <td style="text-align: center;">4</td><td style="text-align: center;">5</td><td style="text-align: center;">6</td> <td style="text-align: center;">4</td><td style="text-align: center;">5</td><td style="text-align: center;">6</td> </tr> <tr> <td style="text-align: center;">7</td><td style="text-align: center;">8</td><td style="text-align: center;">9</td> <td style="text-align: center;">7</td><td style="text-align: center;">8</td><td style="text-align: center;">9</td> </tr> <tr> <td style="text-align: center;">1</td><td style="text-align: center;">2</td><td style="text-align: center;">3</td> <td style="text-align: center;">1</td><td style="text-align: center;">2</td><td style="text-align: center;">3</td> </tr> <tr> <td style="text-align: center;">↑</td><td style="text-align: center;">↑</td><td style="text-align: center;">↑</td> <td style="text-align: center;">↑</td><td style="text-align: center;">↑</td><td style="text-align: center;">↑</td> </tr> <tr> <td colspan="3" style="text-align: center;">LOW VOLTAGE</td> <td colspan="3" style="text-align: center;">HIGH VOLTAGE</td> </tr> </table>						4	5	6	4	5	6	7	8	9	7	8	9	1	2	3	1	2	3	↑	↑	↑	↑	↑	↑	LOW VOLTAGE			HIGH VOLTAGE		
4	5	6	4	5	6																														
7	8	9	7	8	9																														
1	2	3	1	2	3																														
↑	↑	↑	↑	↑	↑																														
LOW VOLTAGE			HIGH VOLTAGE																																

Model Number	SS3-TF-56C-4-D-1.5-RND-230 460-60
MFG PN	TSSF56 1.5U4B
List Price	--
Base Frame	RN-56C-SS-TF



HP	"C"
0.5 2P	10.4
0.33 4P	10.4
0.5 4P	11
0.75 2P	11
0.75 4P	11.6

MODEL NUMBER	RN-56C-AL-TF	ISSUE DATE:	5/2025
DIMENSIONS	IN		
CASTING MATERIAL	ALUMINUM	WWW.TECHTOPIND.COM	

Techtop Industries -2815 Colonnades Court - Peachtree Corners, GA 30071 - Phone: (678) 436-5540

Techtop Industries -2815 Colonnades Court - Peachtree Corners, GA 30071 - Phone: (678) 436-5540