



| | |
|---------------------|------------------------------------|
| Model Number | SS3-TF-56C-4-D-0.75-RND-230 460-60 |
| MFG PN | TSSF56 3/4U4B |
| List Price | -- |

All data shown at HIGH voltage setting

Format | STD 3 Phase

| Electrical Data | | General Data | |
|-------------------------------|-----------------------|--------------------|-------|
| Rated Motor Output Power | 0.75 HP | Frame Size | 56 |
| Rated Motor Speed | 1750 r/min | Enclosure | TEFC |
| Rated Motor Voltage (3 Phase) | 230 460-60 Volts - HZ | Approximate Weight | 42.9 |
| Rated Motor Current | 2.61/1.31 Amps | NEMA Design | B |
| Service Factor | 1.25 | IP Rating | 69K |
| KVA Code | M | Insulation Class | F |
| Nominal Efficiency | 81.5 % | Tropicalization | YES |
| Nominal Power Factor | 0.66 cosθ | Duty | Cont. |
| Full Load Torque Ft-Lb | 2.227552 Ft-Lb | Cable Entry | 0 |
| Temp Rise @ Full Load °C | 31.7 | Feet Removable | NO |
| Efficiency Level | IE3 - NEMA Premium | Double Drilled | 0 |

| Load Data | RPM | Trq %FL | Current Amps | Mechanical Data | |
|--------------|------|---------|--------------|--------------------|-----------------------|
| Locked Rotor | - | 347 | 10 | Rated Ambient (°C) | 40 |
| Breakdown | - | 446 | - | Rated Altitude (M) | 1000 |
| Pull Up | - | 319 | - | Coating | unpainted - unpainted |
| 125% of FL | 1756 | - | 1.34 | Shaft Grounding | NO |
| 75% of FL | 1775 | - | 1.03 | Brake Voltage (DC) | -- |
| 50% of FL | 1783 | - | 0.92 | Brake Torque (N-M) | -- |
| No Load | -- | - | 0.82 | | |

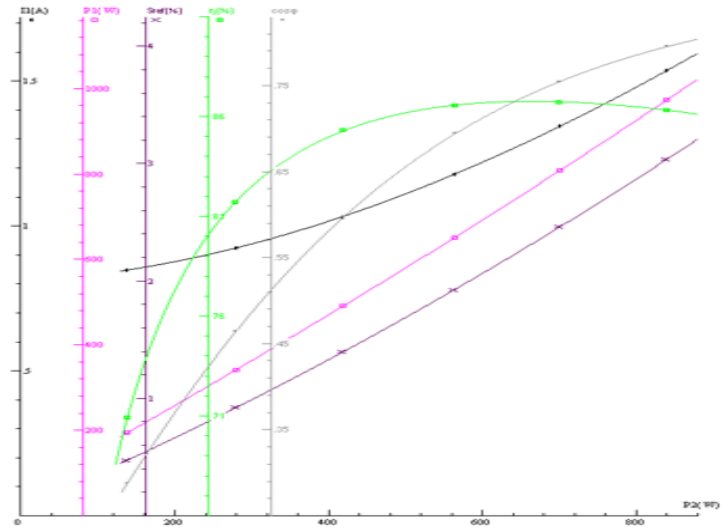
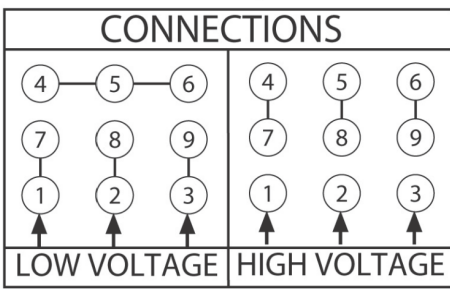
| Load Data | | Current Amps | | Mechanical Data | |
|--------------------|----|--------------|--|-------------------|-----------------|
| Hazardous Location | -- | | | Bearing DE Side | 6205 2RS |
| | | | | Bearing NDE Side | 6204 2RS |
| | | | | Moment of Inertia | -- kg.m2 |
| | | | | Noise Level | Per NEMA dB (A) |

| | | | |
|---|----|-----------------------------|----|
| CT VFD Range | -- | Loaded Torque Curves | -- |
| P1 = INPUT POWER (KW), S = Slip (% of Sync RPM), η = Efficiency (%), cosφ = Power Factor | | | |

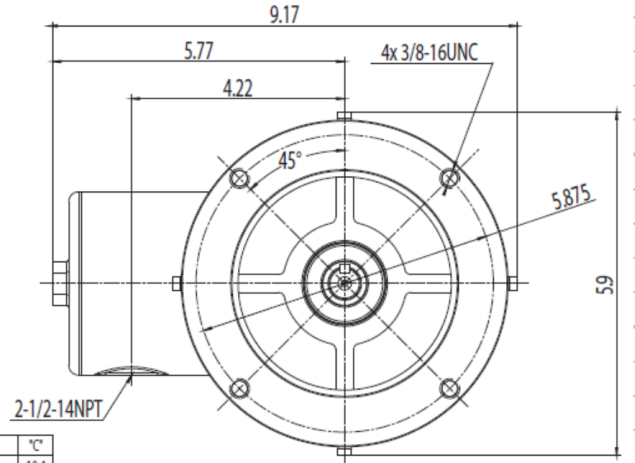
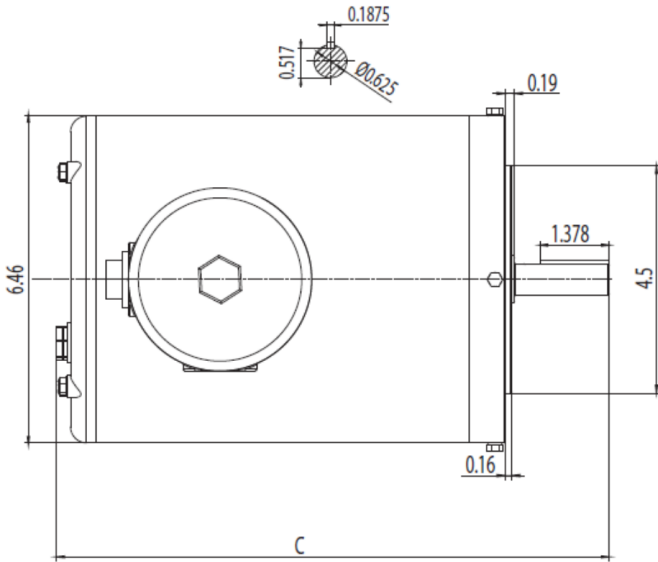
| | | | |
|----------------|--------|--------|------|
| Certifications | UL | CSA | DOE |
| File Numbers | 323353 | 224693 | 096A |

Wiring Diagram 3PH 9 Lead Dual Voltage

3 Phase - YY/Y - 9 Lead
 4,1 Blue / 5,2 White / 6,3 Org / 7 Yl / 8 Blk / 9 RD
 Cast Iron- 1,2,3 Top - 4,5,6,7,8,9 Bottom
 Aluminum - 4,5,6,8,9 Top - 1,2,3,7 Bottom



| | |
|--------------|------------------------------------|
| Model Number | SS3-TF-56C-4-D-0.75-RND-230 460-60 |
| MFG PN | TSSF56 3/4U4B |
| List Price | -- |
| Base Frame | RN-56C-SS-TF |



| HP | "C" |
|---------|------|
| 0.5 2P | 10.4 |
| 0.33 4P | 10.4 |
| 0.5 4P | 11 |
| 0.75 2P | 11 |
| 0.75 4P | 11.6 |

| | | | |
|------------------|--------------|--------------------|--------|
| MODEL NUMBER | RN-56C-AL-TF | ISSUE DATE: | 5/2025 |
| DIMENSIONS | IN | | |
| CASTING MATERIAL | ALUMINUM | WWW.TECHTOPIND.COM | |

Techtop Industries -2815 Colonnades Court - Peachtree Corners, GA 30071 - Phone: (678) 436-5540

Techtop Industries -2815 Colonnades Court - Peachtree Corners, GA 30071 - Phone: (678) 436-5540