



Model Number SS3-TF-56C-4-D-0.5-230|460-60

MFG PN TSSF56 1/2U4B

List Price --

All data shown at HIGH voltage setting

Format STD 3 Phase

Electrical Data		General Data	
Rated Motor Output Power	0.5 HP	Frame Size	56
Rated Motor Speed	1750 r/min	Enclosure	TEFC
Rated Motor Voltage (3 Phase)	230 460-60 Volts - HZ	Approximate Weight	34.9
Rated Motor Current	1.84/0.92 Amps	NEMA Design	B
Service Factor	1.25	IP Rating	69K
KVA Code	M	Insulation Class	F
Nominal Efficiency	78.5 %	Tropicalization	YES
Nominal Power Factor	0.65 cosθ	Duty	Cont.
Full Load Torque Ft-Lb	1.504704 Ft-Lb	Cable Entry	0
Temp Rise @ Full Load °C	27.4	Feet Removable	NO
Efficiency Level	IE3 - NEMA Premium	Double Drilled	0

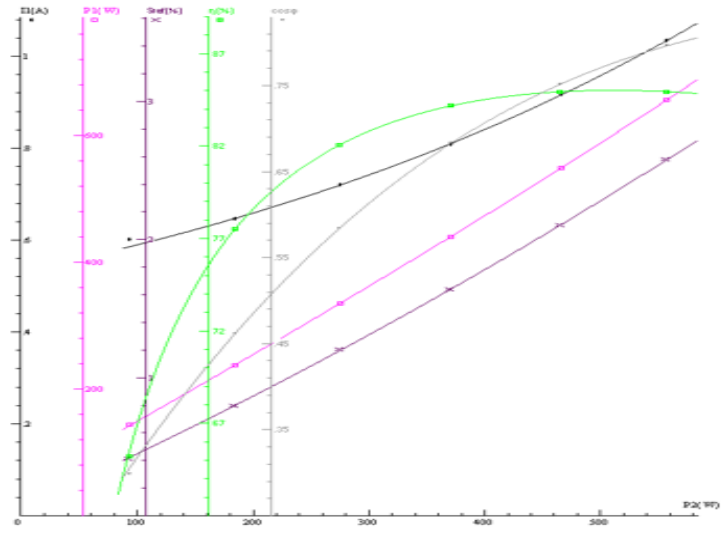
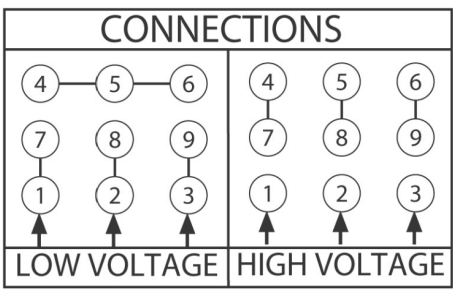
Load Data	RPM	Trq %FL	Current Amps	Mechanical Data	
Locked Rotor	-	323	0.8	Rated Ambient (°C)	40
Breakdown	-	488	-	Rated Altitude (M)	1000
Pull Up	-	314	-	Coating	unpainted - unpainted
125% of FL	1761	-	1.1	Shaft Grounding	NO
75% of FL	1777	-	0.9	Brake Voltage (DC)	--
50% of FL	1784	-	0.9	Brake Torque (N-M)	--
No Load	--	-	0.6		
Hazardous Location	--			Bearing DE Side	6205 2RS
				Bearing NDE Side	6204 2RS
				Moment of Inertia	-- kg.m2
				Noise Level	Per NEMA dB (A)

CT VFD Range	--	Loaded Torque Curves	--
P1 = INPUT POWER (KW), S = Slip (% of Sync RPM), η = Efficiency (%), cosφ = Power Factor			

Certifications	UL	CSA	DOE
File Numbers	323353	224693	096A

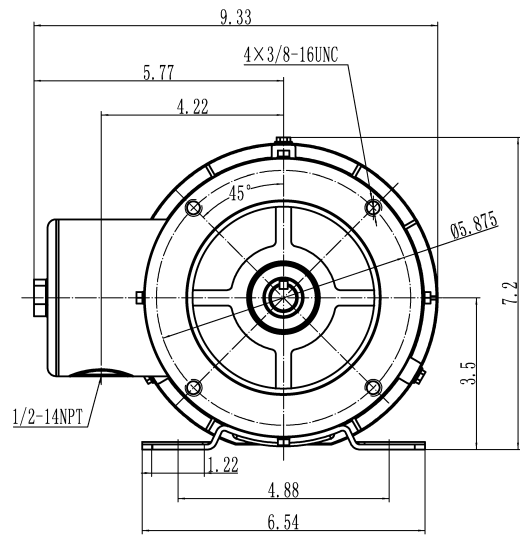
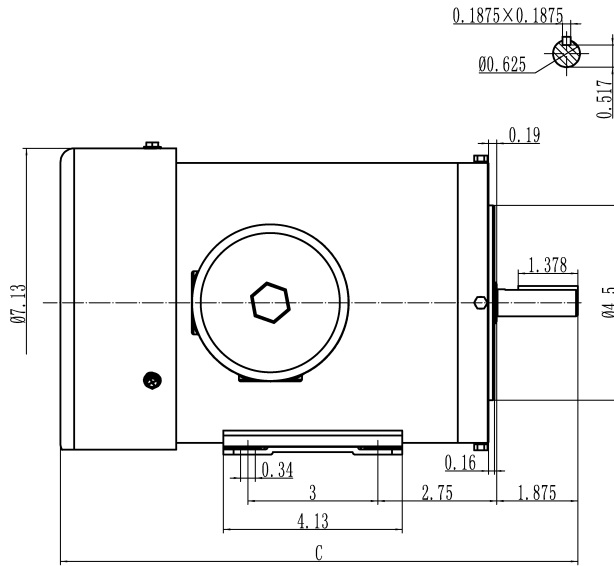
Wiring Diagram 3PH 9 Lead Dual Voltage

3 Phase - YY/Y - 9 Lead
 4,1 Blue / 5,2 White / 6,3 Org / 7 Yl / 8 Blk / 9 RD
 Cast Iron- 1,2,3 Top - 4,5,6,7,8,9 Bottom
 Aluminum - 4,5,6,8,9 Top - 1,2,3,7 Bottom



Model Number	SS3-TF-56C-4-D-0.5-230 460-60
MFG PN	TSSF56 1/2U4B
List Price	--
Base Frame	SS-56C-SS-TF

FRAME: HP: RPM: PHASE: VOLT: ENCL: FREQ: FLA: LRA:



TSSF56 3/4U4B	3/4	12.6
TSSF56 1/2U4B	1/2	12
型号	功率 (HP)	C



MODEL: TSSF56
REV.DESC:

SCALE: 1:2
VERSION:

DATE:
REVISED:

UNITS:
BY:

WWW.TECHTOP.COM