



Model Number SS3-TF-56C-4-D-0.5-RND-230|460-60

MFG PN TSSF56 1/2U4B

List Price --

All data shown at HIGH voltage setting

Format | STD 3 Phase

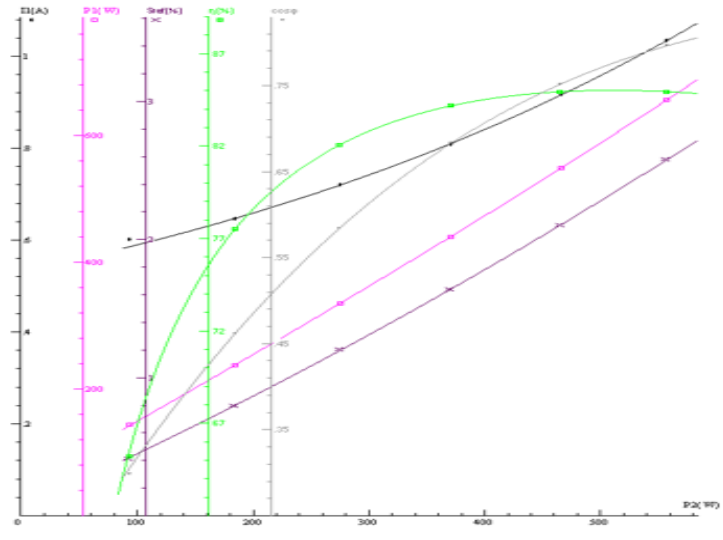
Electrical Data				General Data	
Rated Motor Output Power	0.5 HP			Frame Size	56
Rated Motor Speed	1750 r/min			Enclosure	TEFC
Rated Motor Voltage (3 Phase)	230 460-60 Volts - HZ			Approximate Weight	34.7
Rated Motor Current	1.84/0.92 Amps			NEMA Design	B
Service Factor	1.25			IP Rating	69K
KVA Code	M			Insulation Class	F
Nominal Efficiency	78.5 %			Tropicalization	YES
Nominal Power Factor	0.65 cosθ			Duty	Cont.
Full Load Torque Ft-Lb	1.504704 Ft-Lb			Cable Entry	0
Temp Rise @ Full Load °C	27.4			Feet Removable	NO
Efficiency Level	IE3 - NEMA Premium			Double Drilled	0
Load Data	RPM	Trq %FL	Current Amps	Rated Ambient (°C)	40
Locked Rotor	-	323	0.8	Rated Altitude (M)	1000
Breakdown	-	488	-	Coating	unpainted - unpainted
Pull Up	-	314	-	Shaft Grounding	NO
125% of FL	1761	-	1.1	Brake Voltage (DC)	--
75% of FL	1777	-	0.9	Brake Torque (N-M)	--
50% of FL	1784	-	0.9	Mechanical Data	
No Load	--	-	0.6	Bearing DE Side	6205 2RS
Hazardous Location	--			Bearing NDE Side	6204 2RS
				Moment of Inertia	-- kg.m2
				Noise Level	Per NEMA dB (A)

CT VFD Range	--	Loaded Torque Curves	--
P1 = INPUT POWER (KW), S = Slip (% of Sync RPM), η = Efficiency (%), cosφ = Power Factor			

Certifications	UL	CSA	DOE
File Numbers	323353	224693	096A
Wiring Diagram	3PH 9 Lead Dual Voltage		

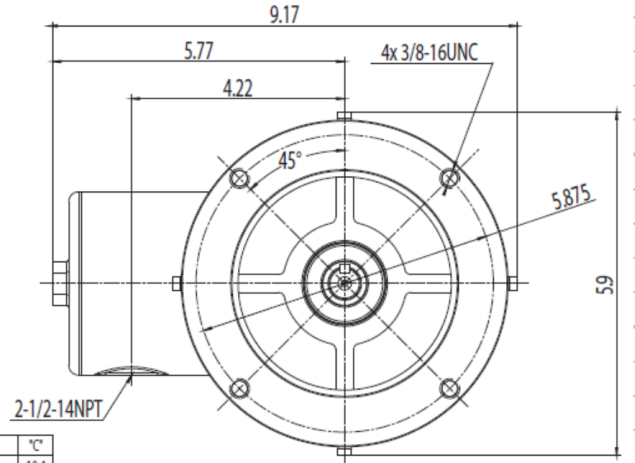
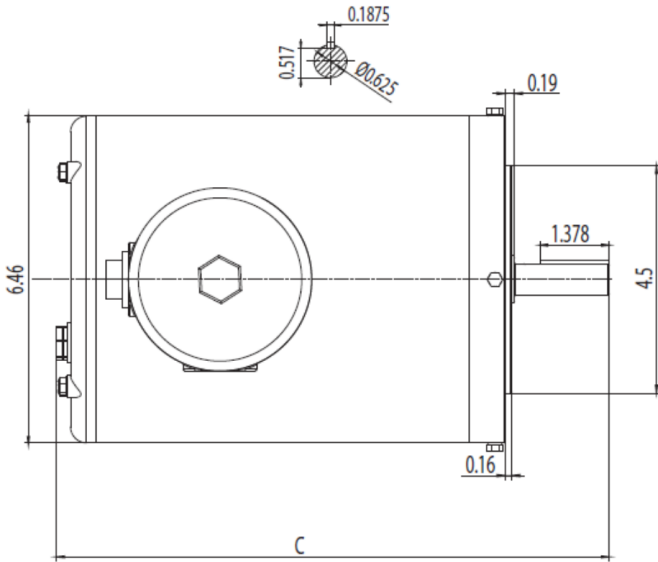
3 Phase - YY/Y - 9 Lead
 4,1 Blue / 5,2 White / 6,3 Org / 7 Yl / 8 Blk / 9 RD
 Cast Iron- 1,2,3 Top - 4,5,6,7,8,9 Bottom
 Aluminum - 4,5,6,8,9 Top - 1,2,3,7 Bottom

CONNECTIONS					
4	5	6	4	5	6
7	8	9	7	8	9
1	2	3	1	2	3
LOW VOLTAGE			HIGH VOLTAGE		





Model Number	SS3-TF-56C-4-D-0.5-RND-230 460-60
MFG PN	TSSF56 1/2U4B
List Price	--
Base Frame	RN-56C-SS-TF



HP	"C"
0.5 2P	10.4
0.33 4P	10.4
0.5 4P	11
0.75 2P	11
0.75 4P	11.6

MODEL NUMBER	RN-56C-AL-TF	ISSUE DATE:	5/2025
DIMENSIONS	IN		
CASTING MATERIAL	ALUMINUM	WWW.TECHTOPIND.COM	

Techtop Industries -2815 Colonnades Court - Peachtree Corners, GA 30071 - Phone: (678) 436-5540

Techtop Industries -2815 Colonnades Court - Peachtree Corners, GA 30071 - Phone: (678) 436-5540