



Model Number

SD3-449T-6-RR-E-200-460-60

MFG PN

T449T200U6B

List Price

--

All data shown at HIGH voltage setting

Format STD 3 Phase

Electrical Data

General Data

Rated Motor Output Power	200 HP	Frame Size	449
Rated Motor Speed	1190 r/min	Enclosure	TEFC
Rated Motor Voltage (3 Phase)	460-60 Volts - HZ	Approximate Weight	2255
Rated Motor Current	230 Amps	NEMA Design	B
Service Factor	1.15	IP Rating	56
KVA Code	G	Insulation Class	F
Nominal Efficiency	95.8 %	Tropicalization	YES
Nominal Power Factor	0.85 cosθ	Duty	Cont.
Full Load Torque Ft-Lb	1201 Ft-Lb	Cable Entry	1.25
Temp Rise @ Full Load °C	79	Feet Removable	YES
Efficiency Level	IE3 - NEMA Premium	Double Drilled	NO

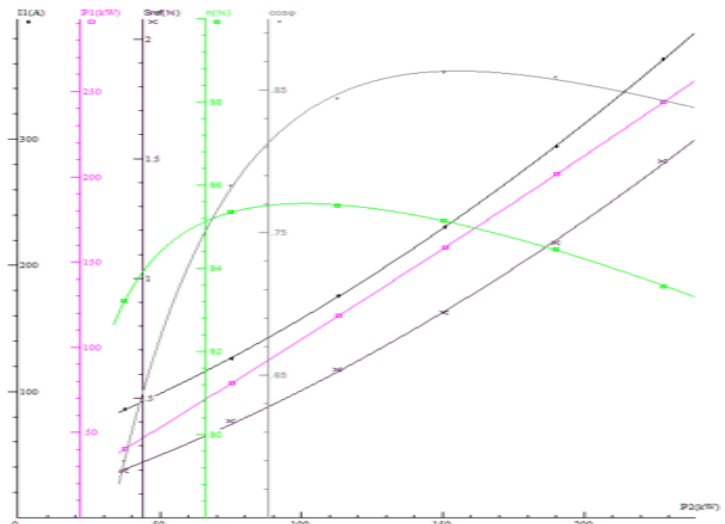
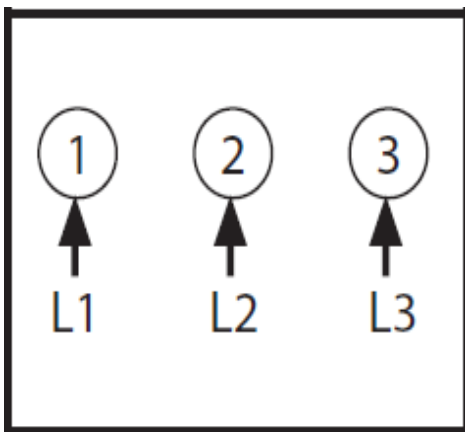
Load Data	RPM	Trq %FL	Current Amps	Rated Ambient (°C)	40
Locked Rotor	-	230	1465	Rated Altitude (M)	1000
Breakdown	-	245	-	Coating	7024 - Graphite Grey
Pull Up	-	104	-	Shaft Grounding	YES
125% of FL	1186	-	290.27	Brake Voltage (DC)	--
75% of FL	1193	-	174.55	Brake Torque (N-M)	--
50% of FL	1195	-	126.52	Mechanical Data	
No Load	1200	-	64.41	Bearing DE Side	6319 C3

Hazardous Location	CL1 Div2 Grp A,B,C,D			Bearing NDE Side	6319 C3
				Moment of Inertia	-- kg.m2
				Noise Level	Per NEMA dB (A)

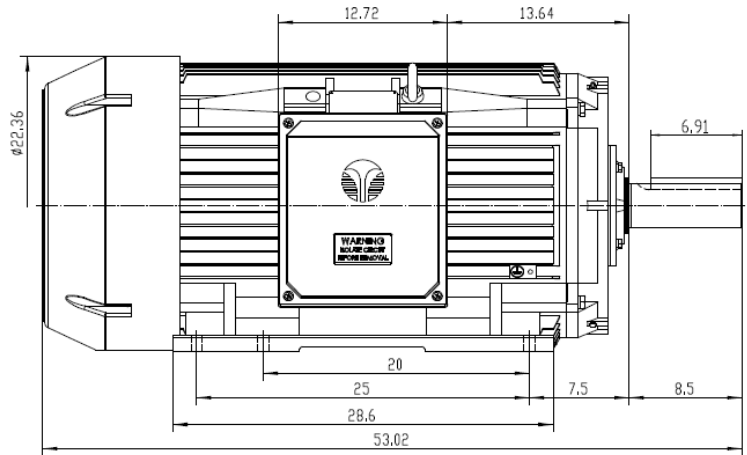
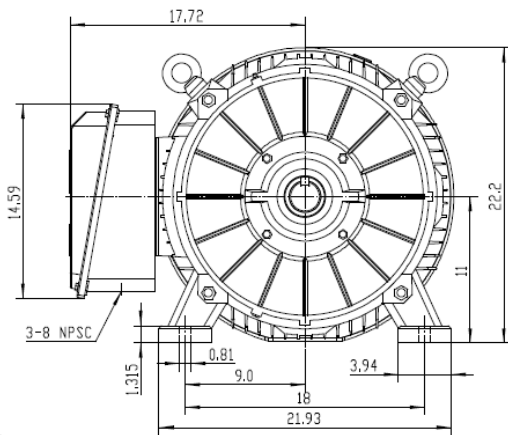
CT VFD Range	--	Loaded Torque Curves		--
$P_1 = \text{INPUT POWER (KW)}$, $S = \text{Slip (\% of Sync RPM)}$, $\eta = \text{Efficiency (\%)}$, $\cos\phi = \text{Power Factor}$				

Certifications	UL	CSA	DOE
File Numbers	323353	224693	096A

Wiring Diagram 3PH Single Voltage SD3



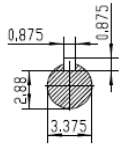
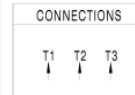
Model Number	SD3-449T-6-RR-E-200-460-60
MFG PN	T449T200U6B
List Price	--
Base Frame	SD-449T-CI-TF



NOTES:

- All Cast Iron Construction
- Design B
- IP55 Labyrinth seals on DE and ODE
- H Class Insulation System
- Max Winding Temperature rise 80°C
- Max bearing temperature rise 45°C for 4 pole and 50°C for 2 pole motors when direct coupled.
- Regreasable bearings
- External Grounding provisions
- Maximum foot flatness deviation .127 mm
- Conductive Polymer Cooling Fan
- Diagonally Split Conduit Box rotatable in 90° Increments
- Lead seals in conduit box
- Maximum no load sound power 85 dBA(2 pole),
Maximum no load sound power 70 dBA(4 pole),
Maximum no load sound power 64 dBA(6 pole).
- No Load Motor Vibration not to exceed
a. Radial 60HZ - 2.03mm/s (2,4 pole) and 1.52mm/s (6 pole)
b. Axial 60HZ - 1.52mm/s
- 300 series Stainless Steel hardware
- Epoxy Coating meeting ASTM B117-97 for 96 h
- All Internal surfaces coated with anti-corrosion coating.
- Internal Shaft Grounding brush installed on drive end.
- No Load test report included with motor

TECHTOP IEEC 841 SEVERE DUTY ELECTRIC MOTOR	
MODEL: SD3-449T-6-RR-E-200	TECHTOP.COM
60 Hz	MFG PN: T449T200U6B
HP: 200	SER # 1803102058
RPM: 1160	DATE: 088800Z
VOLTS(Φ): 460	DESIGN: B
FLA: 230	FRAME: 449T
SF: 1.15	ENGL: TEFC
KVA CODE: G	HP: 55
NOM EFF: 0.958	DUTY: Cont.
INS CL: H	WEIGHT: 2298.2 lbs
ARC ARRESTOR CODE: 8378-C3	MADE IN CHINA



 ShangHai HIMAK Electrical Machinery CO., LTD		NEMA TEFC 449T-200HP-6P	
		IEEC-841 UNITS:INCH	
Design	Standard	NO:	CY260.A20.013
Checker	Allow	STEP MARK	1:7 SORT Cast iron Motor
Auditing	Date		