



Model Number SD3-449T-4-RR-E-250-460-60

MFG PN T449T250U4B

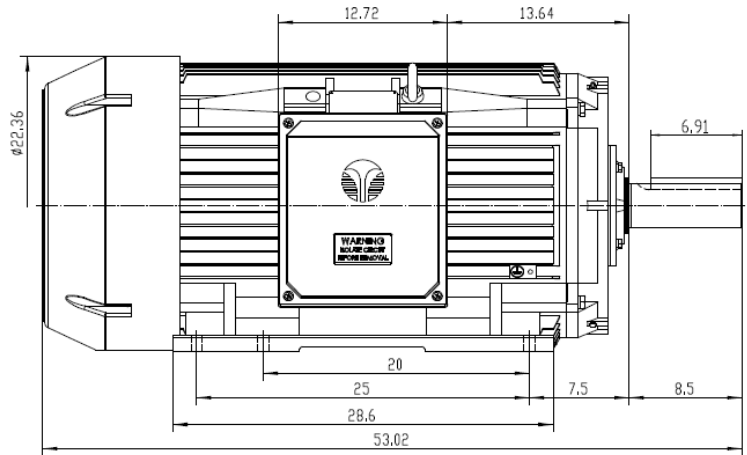
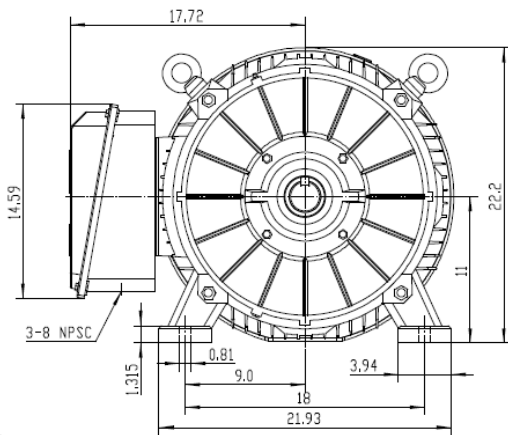
List Price --

All data shown at HIGH voltage setting

Format STD 3 Phase

Electrical Data				General Data	
Rated Motor Output Power	250 HP			Frame Size	449
Rated Motor Speed	1785 r/min			Enclosure	TEFC
Rated Motor Voltage (3 Phase)	460-60 Volts - HZ			Approximate Weight	2265.3
Rated Motor Current	273 Amps			NEMA Design	B
Service Factor	1.15			IP Rating	56
KVA Code	G			Insulation Class	F
Nominal Efficiency	96.2 %			Tropicalization	YES
Nominal Power Factor	0.89 cosθ			Duty	Cont.
Full Load Torque Ft-Lb	997 Ft-Lb			Cable Entry	1.25
Temp Rise @ Full Load °C	72.2			Feet Removable	YES
Efficiency Level	IE3 - NEMA Premium			Double Drilled	NO
Load Data	RPM	Trq %FL	Current Amps	Rated Ambient (°C)	40
Locked Rotor	-	253	1850	Rated Altitude (M)	1000
Breakdown	-	284	-	Coating	7024 - Graphite Grey
Pull Up	-	353	-	Shaft Grounding	YES
125% of FL	1783	-	343.13	Brake Voltage (DC)	--
75% of FL	1791	-	206.24	Brake Torque (N-M)	--
50% of FL	1794	-	146.57	Mechanical Data	
No Load	--	-	67.41	Bearing DE Side	6319 C3
Hazardous Location	CL1 Div2 Grp A,B,C,D			Bearing NDE Side	6319 C3
				Moment of Inertia	-- kg.m2
				Noise Level	Per NEMA dB (A)
CT VFD Range		--		Loaded Torque Curves	
				P1 = INPUT POWER (KW), S = Slip (% of Sync RPM), η = Efficiency (%), cosφ = Power Factor	
Certifications	UL	CSA	DOE		
File Numbers	323353	224693	096A		
Wiring Diagram	3PH Single Voltage SD3				

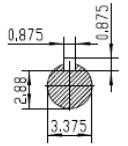
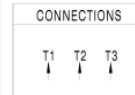
Model Number	SD3-449T-4-RR-E-250-460-60
MFG PN	T449T250U4B
List Price	--
Base Frame	SD-449T-CI-TF



NOTES:

- All Cast Iron Construction
- Design B
- IP55 Labyrinth seals on DE and ODE
- H Class Insulation System
- Max Winding Temperature rise 80°C
- Max bearing temperature rise 45°C for 4 pole and 50°C for 2 pole motors when direct coupled.
- Regreasable bearings
- External Grounding provisions
- Maximum foot flatness deviation .127 mm
- Conductive Polymer Cooling Fan
- Diagonally Split Conduit Box rotatable in 90° Increments
- Lead seals in conduit box
- Maximum no load sound power 85 dBA(2 pole),
Maximum no load sound power 70 dBA(4 pole),
Maximum no load sound power 64 dBA(6 pole).
- No Load Motor Vibration not to exceed
a. Radial 60HZ - 2.03mm/s (2,4 pole) and 1.52mm/s (6 pole)
b. Axial 60HZ - 1.52mm/s
- 300 series Stainless Steel hardware
- Epoxy Coating meeting ASTM B117-97 for 96 h
- All Internal surfaces coated with anti-corrosion coating.
- Internal Shaft Grounding brush installed on drive end.
- No Load test report included with motor

TECHTOP IEEE 841 SEVERE DUTY ELECTRIC MOTOR	
MODEL: SD3-449T-4-RR-E-200	TECHTOP.COM
60 Hz	MFG PN: T 449T200UBB
HP: 200	SER # 1803102058
RPM: 1160	DATE: 088800Z
VOLTS(Φ): 460	DESIGN: B
FLA: 230	FRAME: 449T
SF: 1.15	ENGL: TEFC
KVA CODE: G	HP: 55
NOM EFF: 0.958	DUTY: Cont.
INS CL: H	WEIGHT: 2298.2 lbs
ARC ARRESTOR CODE: 8378-C3	MADE IN CHINA



 ShangHai HIMAK Electrical Machinery CO., LTD		NEMA TEFC 449T-200HP-6P	
		IEEE-841 UNITS:INCH	
Design	Standard	NO:	CY260.A20.013
Checker	Allow	STEP MARK	1:7 SORT Cast iron Motor
Auditing	Date		