



Model Number

SD3-447T-6-RR-E-150-460-60

MFG PN

T447T150U6B

List Price

--

All data shown at HIGH voltage setting

Format STD 3 Phase

**Electrical Data**

**General Data**

Rated Motor Output Power	150 HP	Frame Size	447
Rated Motor Speed	1190 r/min	Enclosure	TEFC
Rated Motor Voltage (3 Phase)	460-60 Volts - HZ	Approximate Weight	1996.5
Rated Motor Current	172 Amps	NEMA Design	B
Service Factor	1.15	IP Rating	56
KVA Code	G	Insulation Class	F
Nominal Efficiency	95.8 %	Tropicalization	YES
Nominal Power Factor	0.85 cosθ	Duty	Cont.
Full Load Torque Ft-Lb	-- Ft-Lb	Cable Entry	1.25
Temp Rise @ Full Load °C	61	Feet Removable	YES
Efficiency Level	IE3 - NEMA Premium	Double Drilled	NO

Load Data	RPM	Trq %FL	Current Amps	Rated Ambient (°C)	40
Locked Rotor	-	223	6.58	Rated Altitude (M)	1000
Breakdown	-	267	-	Coating	7024 - Graphite Grey
Pull Up	-	139	-	Shaft Grounding	YES
125% of FL	1188	-	210.89	Brake Voltage (DC)	--
75% of FL	1194	-	128.14	Brake Torque (N-M)	--
50% of FL	1196	-	93.85	<b>Mechanical Data</b>	
No Load	1200	-	49.94	Bearing DE Side	6319 C3

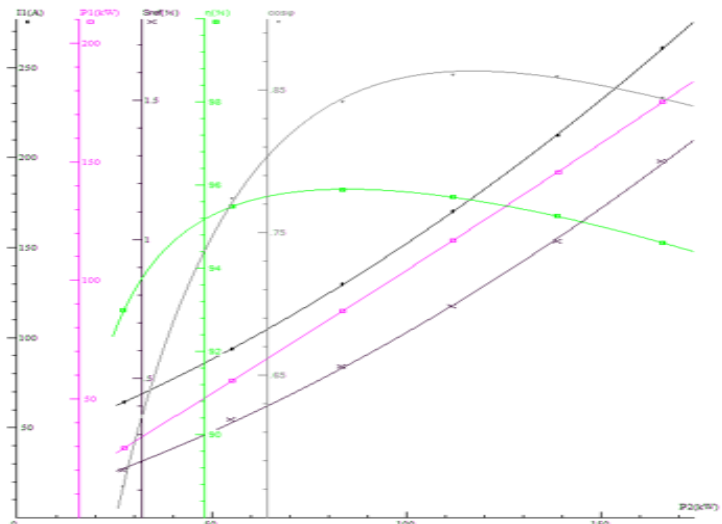
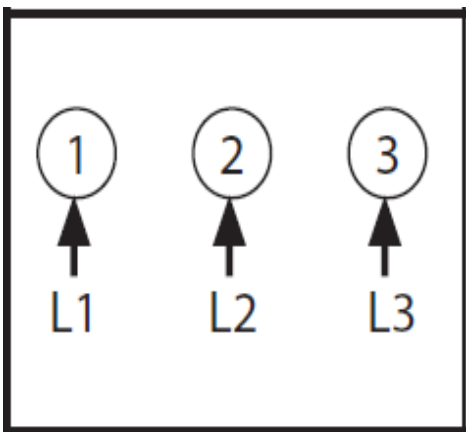
Hazardous Location	CL1 Div2 Grp A,B,C,D			Bearing NDE Side	6319 C3
				Moment of Inertia	-- kg.m2
				Noise Level	Per NEMA dB (A)
				--	

CT VFD Range	--	<b>Loaded Torque Curves</b>	--
<b>P1 = INPUT POWER (KW), S = Slip (% of Sync RPM), η = Efficiency (%), cosφ = Power Factor</b>			

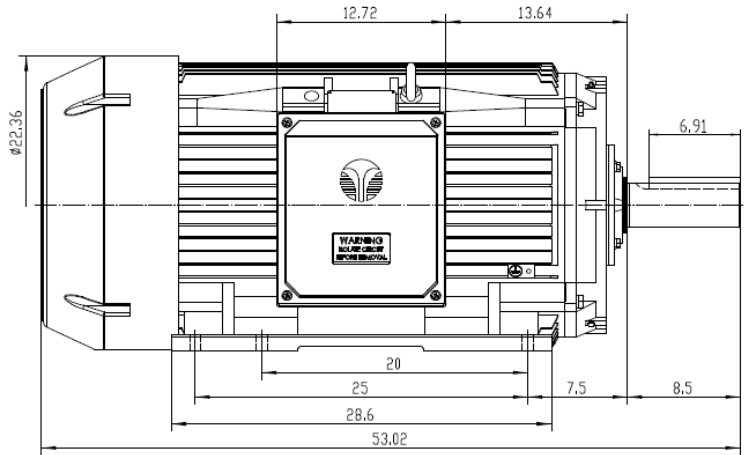
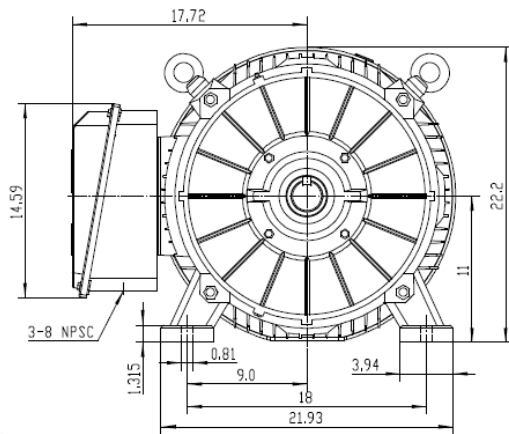
Certifications	UL	CSA	DOE
----------------	----	-----	-----

File Numbers	323353	224693	096A
--------------	--------	--------	------

Wiring Diagram	3PH Single Voltage SD3
----------------	------------------------



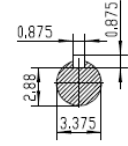
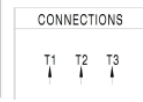
Model Number	SD3-447T-6-RR-E-150-460-60
MFG PN	T447T150U6B
List Price	--
Base Frame	SD-447T-CI-TF



**NOTES:**

- All Cast Iron Construction
- Design B
- IP55 Labyrinth seals on DE and ODE
- H Class Insulation System
- Max Winding Temperature rise 80°C
- Max bearing temperature rise 45°C for 4 pole and 50°C for 2 pole motors when direct coupled.
- Regreasable bearings
- External Grounding provisions
- Maximum foot flatness deviation .127 mm
- Conductive Polymer Cooling Fan
- Diagonally Split Conduit Box rotatable in 90° Increments
- Lead seals in conduit box
- Maximum no load sound power 85 dBA(2 pole),  
Maximum no load sound power 70 dBA(4 pole),  
Maximum no load sound power 64 dBA(6 pole).
- No Load Motor Vibration not to exceed  
a. Radial 60HZ - 2.03mm/s (2,4 pole) and 1.52mm/s (6 pole)  
b. Axial 60HZ - 1.52mm/s
- 300 series Stainless Steel hardware
- Epoxy Coating meeting ASTM B117-97 for 96 h
- All Internal surfaces coated with anti-corrosion coating.
- Internal Shaft Grounding brush installed on drive end.
- No Load test report included with motor

<b>TECHTOP IEEE 841</b> SEVERE DUTY ELECTRIC MOTOR	
MODEL: SD3-447T-6-RR-E-150	TECHTOP.COM
60 Hz 50 Hz	MFG PN: T447T150U6B
HP: 150 150	SER #: 1603102055
PPM: 1190 985	DATE: 20680902
VOLT(3Ø): 460 380	DESIGN: B
FLA: 172 209	FRAME: 447T
SF: 1.15 1	ENCL: TEFC
KVA CODE: G E	IP: 55
NOM EFF: 0.958	DUTY: Cont.
INS CL: H	WEIGHT: 2095.3 lbs
AMB: 40 °C	MADE IN CHINA
ARC ARRESTOR CODE: 819-23	
VFD 15:1 CT-1.8 SF	



 <b>ShangHai HIMAK Electrical Machinery CO., LTD</b>		NEMA TEFC 447T-150HP-6P	
		IEEE-841 UNITS:INCH	
Design	Standard	NO:	CY260.A20.012
Checker	Allow	STEP MARK	1:7 SORT Cast iron Motor
Auditing	Date		