



Model Number

SD3-447T-4-RR-E-200-460-60

MFG PN

T447T200U4B

List Price

--

All data shown at HIGH voltage setting

Format STD 3 Phase

**Electrical Data**

**General Data**

Rated Motor Output Power	200 HP	Frame Size	447
Rated Motor Speed	1785 r/min	Enclosure	TEFC
Rated Motor Voltage (3 Phase)	460-60 Volts - HZ	Approximate Weight	1992.8
Rated Motor Current	219 Amps	NEMA Design	B
Service Factor	1.15	IP Rating	56
KVA Code	G	Insulation Class	F
Nominal Efficiency	96.2 %	Tropicalization	YES
Nominal Power Factor	0.89 cosθ	Duty	Cont.
Full Load Torque Ft-Lb	800.45 Ft-Lb	Cable Entry	1.25
Temp Rise @ Full Load °C	79.4	Feet Removable	YES
Efficiency Level	IE3 - NEMA Premium	Double Drilled	NO

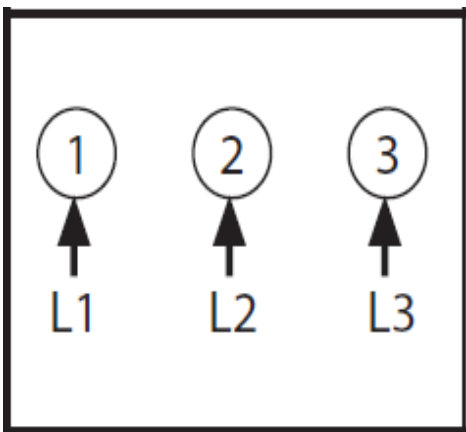
Load Data	RPM	Trq %FL	Current Amps		
Locked Rotor	-	224	1538	Rated Ambient (°C)	40
Breakdown	-	195	-	Rated Altitude (M)	1000
Pull Up	-	111	-	Coating	7024 - Graphite Grey
125% of FL	1783	-	275.25	Shaft Grounding	YES
75% of FL	1791	-	164.38	Brake Voltage (DC)	--
50% of FL	1794	-	116.02	Brake Torque (N-M)	--
No Load	--	-	51.04	Mechanical Data	

Hazardous Location	CL1 Div2 Grp A,B,C,D			Bearing DE Side	6319 C3
				Bearing NDE Side	6319 C3
				Moment of Inertia	-- kg.m2
				Noise Level	Per NEMA dB (A)

CT VFD Range	--	<b>Loaded Torque Curves</b>	--
<b>P1 = INPUT POWER (KW), S = Slip (% of Sync RPM), η = Efficiency (%), cosφ = Power Factor</b>			

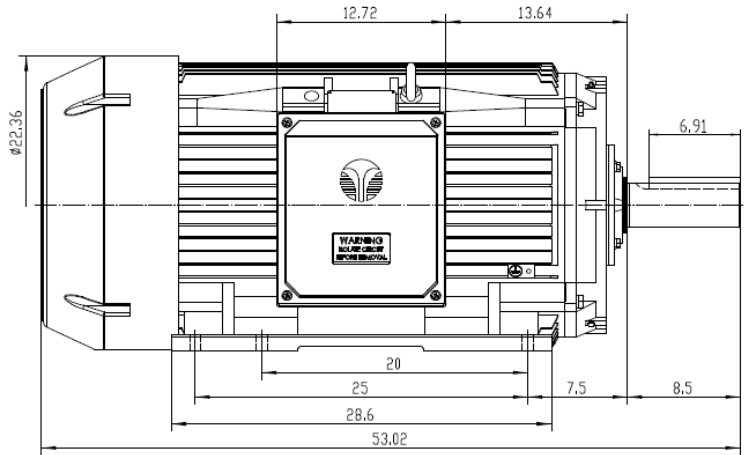
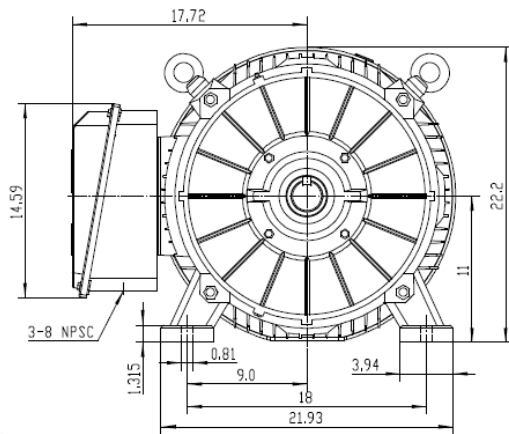
Certifications	UL	CSA	DOE
File Numbers	323353	224693	096A

**Wiring Diagram** 3PH Single Voltage SD3



 File Unavailable  
 Please contact Techttop Engineering to request this data  
[numana@techttopind.com](mailto:numana@techttopind.com)

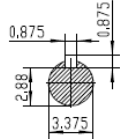
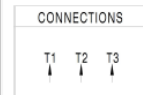
Model Number	SD3-447T-4-RR-E-200-460-60
MFG PN	T447T200U4B
List Price	--
Base Frame	SD-447T-CI-TF




**NOTES:**

- All Cast Iron Construction
- Design B
- IP55 Labyrinth seals on DE and ODE
- H Class Insulation System
- Max Winding Temperature rise 80°C
- Max bearing temperature rise 45°C for 4 pole and 50°C for 2 pole motors when direct coupled.
- Regreasable bearings
- External Grounding provisions
- Maximum foot flatness deviation .127 mm
- Conductive Polymer Cooling Fan
- Diagonally Split Conduit Box rotatable in 90° Increments
- Lead seals in conduit box
- Maximum no load sound power 85 dBA(2 pole),  
Maximum no load sound power 70 dBA(4 pole),  
Maximum no load sound power 64 dBA(6 pole).
- No Load Motor Vibration not to exceed  
a. Radial 60HZ - 2.03mm/s (2,4 pole) and 1.52mm/s (6 pole)  
b. Axial 60HZ - 1.52mm/s
- 300 series Stainless Steel hardware
- Epoxy Coating meeting ASTM B117-97 for 96 h
- All Internal surfaces coated with anti-corrosion coating.
- Internal Shaft Grounding brush installed on drive end.
- No Load test report included with motor

<b>TECHTOP IEEE 841</b> SEVERE DUTY ELECTRIC MOTOR	
MODEL SD3-447T-4-RR-E-150	TECHTOP.COM
60 Hz 50 Hz	MFG PN T 447T150U4B
HP 150 150	SER # 1803102055
PPM 1190 985	DATE 0688002
VOLT(3Ø) 460 380	DESIGN B
FLA 172 209	FRAME 447T
SF 1.15 1	ENCL TEFC
KVA CODE G E	IP 55
NOM EFF 0.958	DUTY Cont.
ARC ARRESTOR CODE 819-23	INS CL H
VFD 15-1 CT-1.8 SF	AMB 40 °C
	WEIGHT 2095.3 lbs
	MADE IN CHINA



 <b>ShangHai HIMAK Electrical Machinery CO., LTD</b>		NEMA TEFC 447T-150HP-6P	
		IEEE-841 UNITS:INCH	
Design	Standard	NO:	CY260.A20.012
Checker	Allow	STEP MARK	1:7 SORT Cast iron Motor
Auditing	Date		