



Model Number

SD3-447T-4-BR-E-200-460-60

MFG PN

T447T200U4B

List Price

--

All data shown at HIGH voltage setting

Format STD 3 Phase

Electrical Data

General Data

Rated Motor Output Power	200 HP	Frame Size	447
Rated Motor Speed	1785 r/min	Enclosure	TEFC
Rated Motor Voltage (3 Phase)	460-60 Volts - HZ	Approximate Weight	1992.8
Rated Motor Current	219 Amps	NEMA Design	B
Service Factor	1.15	IP Rating	56
KVA Code	G	Insulation Class	F
Nominal Efficiency	96.2 %	Tropicalization	YES
Nominal Power Factor	0.89 cosθ	Duty	Cont.
Full Load Torque Ft-Lb	800.45 Ft-Lb	Cable Entry	1.25
Temp Rise @ Full Load °C	79.4	Feet Removable	YES
Efficiency Level	IE3 - NEMA Premium	Double Drilled	NO

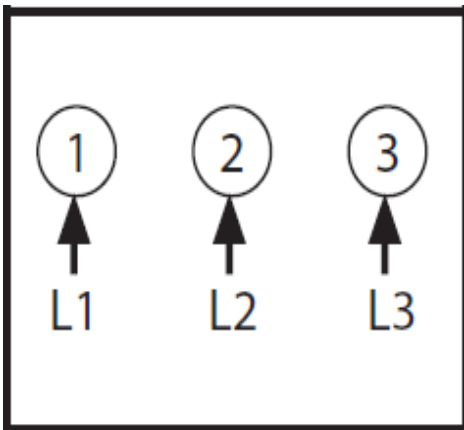
Load Data	RPM	Trq %FL	Current Amps		
Locked Rotor	-	224	1538	Rated Ambient (°C)	40
Breakdown	-	195	-	Rated Altitude (M)	1000
Pull Up	-	111	-	Coating	7024 - Graphite Grey
125% of FL	1783	-	275.25	Shaft Grounding	YES
75% of FL	1791	-	164.38	Brake Voltage (DC)	--
50% of FL	1794	-	116.02	Brake Torque (N-M)	--
No Load	--	-	51.04	Mechanical Data	

Hazardous Location	CL1 Div2 Grp A,B,C,D			Bearing DE Side	6319 C3
				Bearing NDE Side	6319 C3
				Moment of Inertia	-- kg.m2
				Noise Level	Per NEMA dB (A)

CT VFD Range	--	Loaded Torque Curves	--
P1 = INPUT POWER (KW), S = Slip (% of Sync RPM), η = Efficiency (%), cosφ = Power Factor			

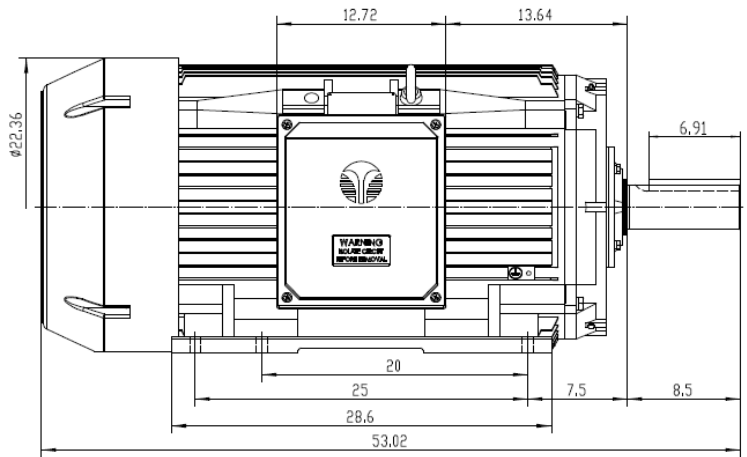
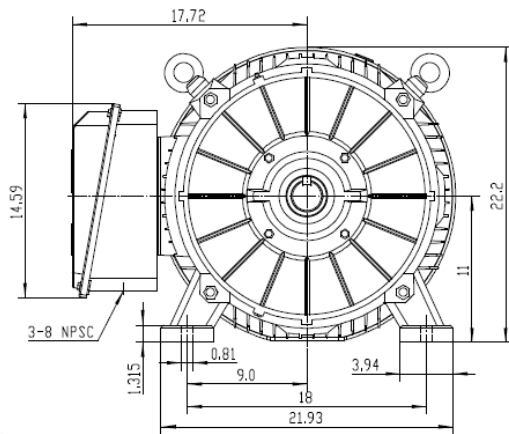
Certifications	UL	CSA	DOE
File Numbers	323353	224693	096A

Wiring Diagram 3PH Single Voltage SD3



File Unavailable
 Please contact Techttop Engineering to request this data
 numana@techttopind.com

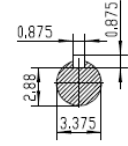
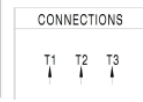
Model Number	SD3-447T-4-BR-E-200-460-60
MFG PN	T447T200U4B
List Price	--
Base Frame	SD-447T-CI-TF




NOTES:

1. All Cast Iron Construction
2. Design B
3. IP55 Labyrinth seals on DE and ODE
4. H Class Insulation System
5. Max Winding Temperature rise 80°C
6. Max bearing temperature rise 45°C for 4 pole and 50°C for 2 pole motors when direct coupled.
7. Regreasable bearings
8. External Grounding provisions
9. Maximum foot flatness deviation .127 mm
10. Conductive Polymer Cooling Fan
11. Diagonally Split Conduit Box rotatable in 90° Increments
12. Lead seals in conduit box
13. Maximum no load sound power 85 dBA(2 pole),
Maximum no load sound power 70 dBA(4 pole),
Maximum no load sound power 64 dBA(6 pole).
14. No Load Motor Vibration not to exceed
a. Radial 60HZ - 2.03mm/s (2,4 pole) and 1.52mm/s (6 pole)
b. Axial 60HZ - 1.52mm/s
15. 300 series Stainless Steel hardware
16. Epoxy Coating meeting ASTM B117-97 for 96 h
17. All Internal surfaces coated with anti-corrosion coating.
18. Internal Shaft Grounding brush installed on drive end.
19. No Load test report included with motor

TECHTOP IEEE 841 SEVERE DUTY ELECTRIC MOTOR	
MODEL: SD3-447T-4-BR-E-150	TECHTOP.COM
60 Hz 50 Hz	MFG PN: T447T150U4B
HP: 150 150	SER #: 1603102055
PPM: 1190 995	DATE: 20680902
VOLT(3Ø): 460 380	DESIGN: B
FLA: 172 209	FRAME: 447T
SF: 1.15 1	ENCL: TEFC
KVA CODE: G E	IP: 55
NOM EFF: 0.958	DUTY: Cont.
ARC ARRESTOR CODE: 819-23	INS CL: H
WEIGHT: 2095.3 lbs	AMB: 40 °C
VFD 15:1 CT-1.8 SF	WEIGHT (Frame Serial): 224083
MADE IN CHINA	



 ShangHai HIMAK Electrical Machinery CO., LTD		NEMA TEFC 447T-150HP-6P	
		IEEE-841 UNITS:INCH	
Design	Standard	NO:	CY260.A20.012
Checker	Allow	STEP MARK	1:7 SORT Cast iron Motor
Auditing	Date		