



**Model Number** SD3-445TC-4-BR-E-150-460-60

**MFG PN** T445T150U4B

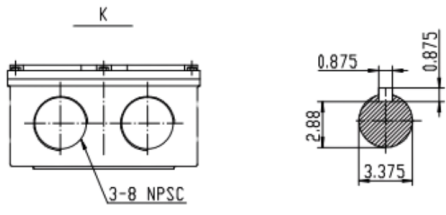
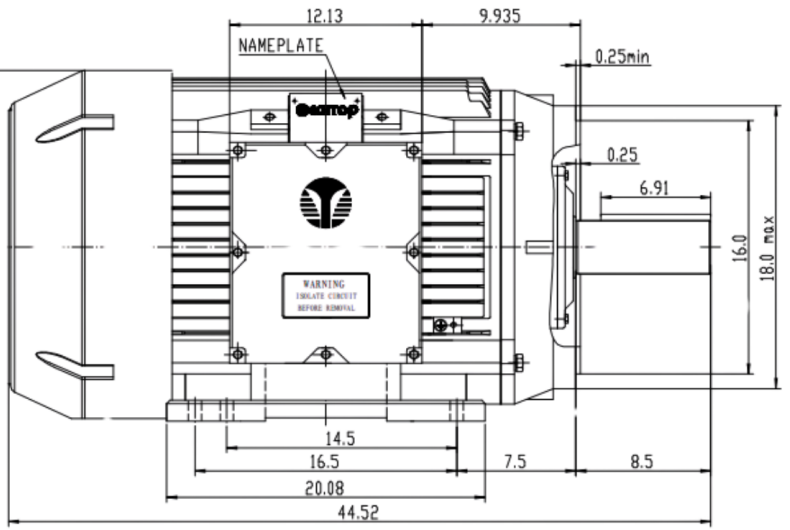
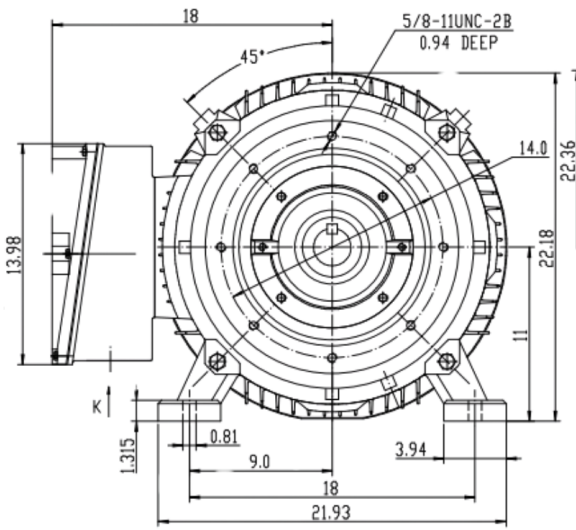
**List Price** --

All data shown at HIGH voltage setting

Format STD 3 Phase

Electrical Data				General Data	
Rated Motor Output Power	150 HP			Frame Size	445
Rated Motor Speed	1785 r/min			Enclosure	TEFC
Rated Motor Voltage (3 Phase)	460-60 Volts - HZ			Approximate Weight	1583
Rated Motor Current	165 Amps			NEMA Design	B
Service Factor	1.15			IP Rating	56
KVA Code	G			Insulation Class	F
Nominal Efficiency	95.8 %			Tropicalization	YES
Nominal Power Factor	0.89 cosθ			Duty	Cont.
Full Load Torque Ft-Lb	588 Ft-Lb			Cable Entry	1.25
Temp Rise @ Full Load °C	65.8			Feet Removable	YES
Efficiency Level	IE3 - NEMA Premium			Double Drilled	NO
Load Data	RPM	Trq %FL	Current Amps	Rated Ambient (°C)	40
Locked Rotor	-	242	1181	Rated Altitude (M)	1000
Breakdown	-	277	-	Coating	7024 - Graphite Grey
Pull Up	-	112	-	Shaft Grounding	YES
125% of FL	1784	-	186.16	Brake Voltage (DC)	--
75% of FL	1790	-	121.73	Brake Torque (N-M)	--
50% of FL	1794	-	86.59	Mechanical Data	
No Load	1800	-	41.05	Bearing DE Side	6319 C3
Hazardous Location	CL1 Div2 Grp A,B,C,D			Bearing NDE Side	6319 C3
				Moment of Inertia	-- kg.m2
				Noise Level	Per NEMA dB (A)
CT VFD Range		--		Loaded Torque Curves	
				<b>P1 = INPUT POWER (KW), S = Slip (% of Sync RPM), η = Efficiency (%), cosφ = Power Factor</b>	
Certifications	UL	CSA	DOE		
File Numbers	323353	224693	096A		
Wiring Diagram	3PH Single Voltage SD3				

Model Number	SD3-445TC-4-BR-E-150-460-60
MFG PN	T445T150U4B
List Price	--
Base Frame	SD-445TC-CI-TF



MODEL NUMBER	GR-CI-TF-444(S)TC	ISSUE DATE:	
DIMENSIONS	IN		
CASTING MATERIAL	CAST IRON	WWW.TECHTOPIND.COM	

Techtop Industries -2815 Colonnades Court - Peachtree Corners, GA 30071 - Phone: (678) 436-5540

Techtop Industries -2815 Colonnades Court - Peachtree Corners, GA 30071 - Phone: (678) 436-5540