



Model Number

SD3-445T-4-RR-E-150-460-60

MFG PN

T445T150U4B

List Price

--

All data shown at HIGH voltage setting

Format STD 3 Phase

**Electrical Data**

**General Data**

Rated Motor Output Power	150 HP	Frame Size	445
Rated Motor Speed	1785 r/min	Enclosure	TEFC
Rated Motor Voltage (3 Phase)	460-60 Volts - HZ	Approximate Weight	1583
Rated Motor Current	165 Amps	NEMA Design	B
Service Factor	1.15	IP Rating	56
KVA Code	G	Insulation Class	F
Nominal Efficiency	95.8 %	Tropicalization	YES
Nominal Power Factor	0.89 cosθ	Duty	Cont.
Full Load Torque Ft-Lb	588 Ft-Lb	Cable Entry	1.25
Temp Rise @ Full Load °C	65.8	Feet Removable	YES
Efficiency Level	IE3 - NEMA Premium	Double Drilled	NO

Load Data	RPM	Trq %FL	Current Amps	Rated Ambient (°C)
Locked Rotor	-	242	1181	40
Breakdown	-	277	-	Rated Altitude (M)
Pull Up	-	112	-	1000
125% of FL	1784	-	186.16	Coating
75% of FL	1790	-	121.13	7024 - Graphite Grey
50% of FL	1794	-	86.59	Shaft Grounding
No Load	1800	-	41.05	YES
				Brake Voltage (DC)
				--
				Brake Torque (N-M)
				--

**Mechanical Data**

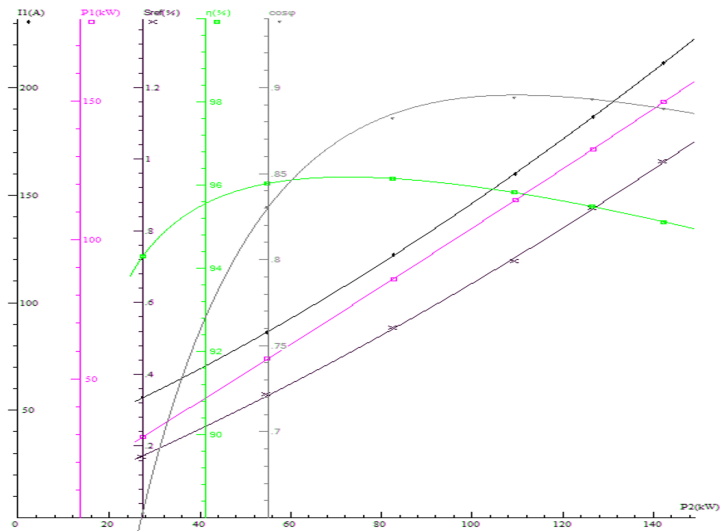
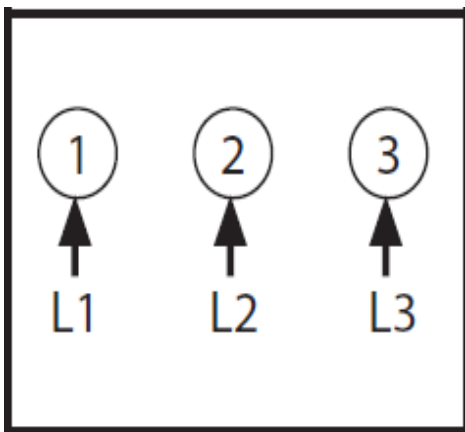
Hazardous Location	CL1 Div2 Grp A,B,C,D	Bearing DE Side	6319 C3
		Bearing NDE Side	6319 C3
		Moment of Inertia	-- kg.m2
		Noise Level	Per NEMA dB (A)

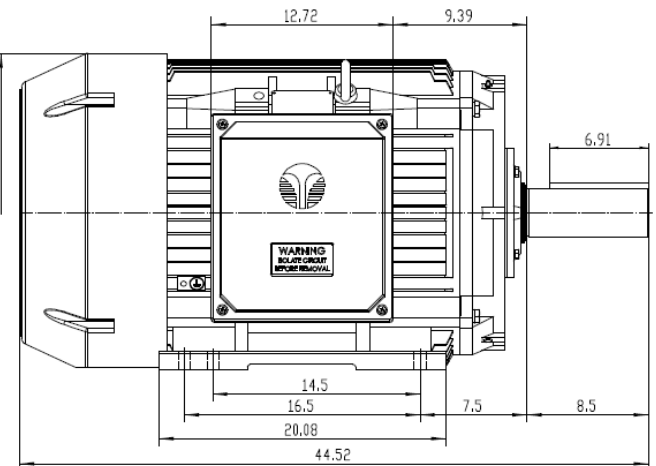
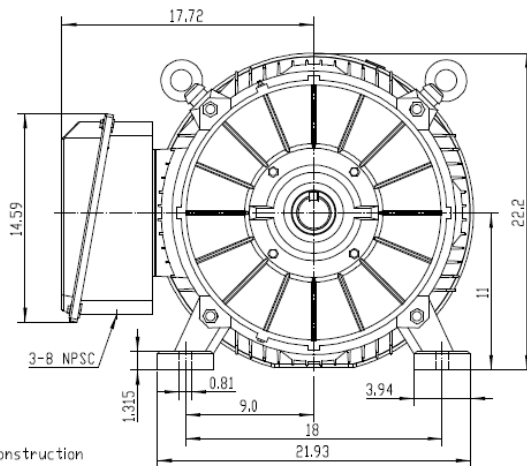
**Loaded Torque Curves**

CT VFD Range	--	<b>P1 = INPUT POWER (KW), S = Slip (% of Sync RPM), η = Efficiency (%), cosφ = Power Factor</b>
--------------	----	---

Certifications	UL	CSA	DOE
File Numbers	323353	224693	096A

Wiring Diagram 3PH Single Voltage SD3

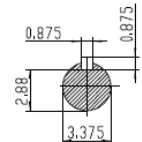
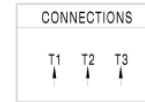




**NOTES:**

1. All Cast Iron Construction
2. Design B
3. IP55 Labyrinth seals on DE and ODE
4. H Class Insulation System
5. Max Winding Temperature rise 80°C
6. Max bearing temperature rise 45°C for 4 pole and 50°C for 2 pole motors when direct coupled.
7. Regreasable bearings
8. External Grounding provisions
9. Maximum foot flatness deviation .127 mm
10. Conductive Polymer Cooling Fan
11. Diagonally Split Conduit Box rotatable in 90° Increments
12. Lead seals In conduit box
13. Maximum no load sound power 85 dBA(2 pole),  
Maximum no load sound power 70 dBA(4 pole),  
Maximum no load sound power 64 dBA(6 pole).
14. No Load Motor Vibration not to exceed  
a.Radial 60HZ - 2.03mm/s (2,4 pole) and 1.52mm/s (6 pole)  
b.Axial 60HZ - 1.52mm/s
15. 300 series Stainless Steel hardware
16. Epoxy Coating meeting ASTM B117-97 for 96 h
17. All internal surfaces coated with anti-corrosion coating.
18. Internal Shaft Grounding brush installed on drive end.
19. No Load test report included with motor

<b>TECHTOP IEEE 841 SEVERE DUTY ELECTRIC MOTOR</b>	
MODEL SD3-445T-4-RR-E-125	TECHTOP COM T 445T125U4B
NEMA HP 125	50 Hz 125 MFG PN 1603102052
RPM 1190	985 SER # 0688002
VOLT/PH 460	300 DESIGN 9
FLA 147	175 FRAME 445T
SF 1.15	1 ENCL TEFC
KVA CODE 0	F IP 55
NOM EFF 0.950	DUTY Cont.
ARRESTOR	INS CL H
VFD 15.1 CT-1.0 SF	AMB 40 °C
	WEIGHT 1784.4 lbs
	MADE IN CHINA



<b>TECHTOP</b> ShangHai HIMAK Electrical Machinery CO., LTD		NEMA TEFC 445T-125HP-6P IEEE-841 UNITS:INCH	
Design	Standard	NO:	CY260.A20.011
Checker	Allow	STEP MARK	1:6.5 SORT Cast iron Motor
Auditing	Date		