



Model Number SD3-444TC-4-BR-E-125-460-60

MFG PN T444T125U4B

List Price --

All data shown at HIGH voltage setting

Format STD 3 Phase

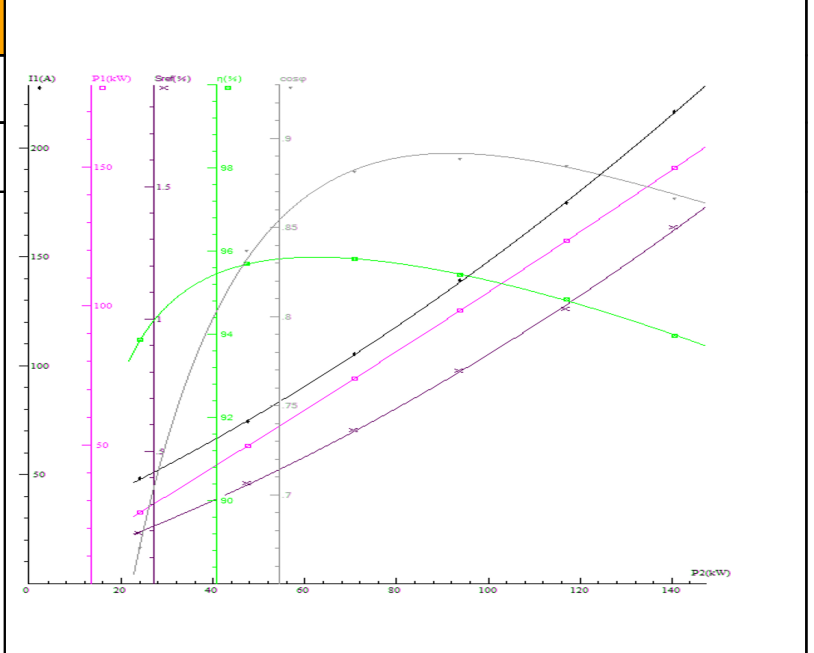
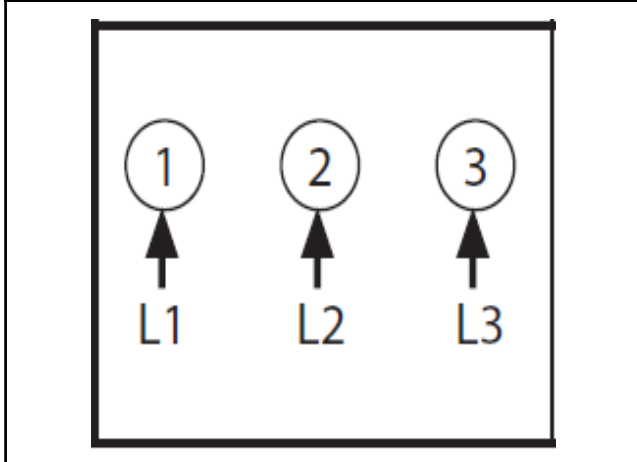
Electrical Data		General Data	
Rated Motor Output Power	125 HP	Frame Size	444
Rated Motor Speed	1785 r/min	Enclosure	TEFC
Rated Motor Voltage (3 Phase)	460-60 Volts - HZ	Approximate Weight	1445.6
Rated Motor Current	138 Amps	NEMA Design	B
Service Factor	1.15	IP Rating	56
KVA Code	G	Insulation Class	F
Nominal Efficiency	95.4 %	Tropicalization	YES
Nominal Power Factor	0.89 cosθ	Duty	Cont.
Full Load Torque Ft-Lb	495 Ft-Lb	Cable Entry	1.25
Temp Rise @ Full Load °C	72.5	Feet Removable	YES
Efficiency Level	IE3 - NEMA Premium	Double Drilled	NO

Load Data	RPM	Trq %FL	Current Amps	Mechanical Data	
Locked Rotor	-	197	922	Bearing DE Side	6319 C3
Breakdown	-	185	-	Bearing NDE Side	6319 C3
Pull Up	-	89	-	Moment of Inertia	-- kg.m2
125% of FL	1781	-	174.02	Noise Level	Per NEMA dB (A)
75% of FL	1790	-	103.68		
50% of FL	1793	-	73.63		
No Load	--	-	33.66		

Hazardous Location	CL1 Div2 Grp A,B,C,D		
--------------------	----------------------	--	--

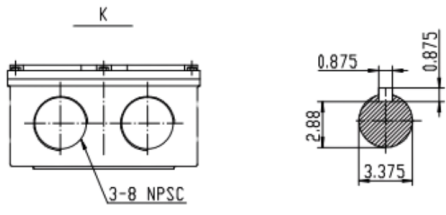
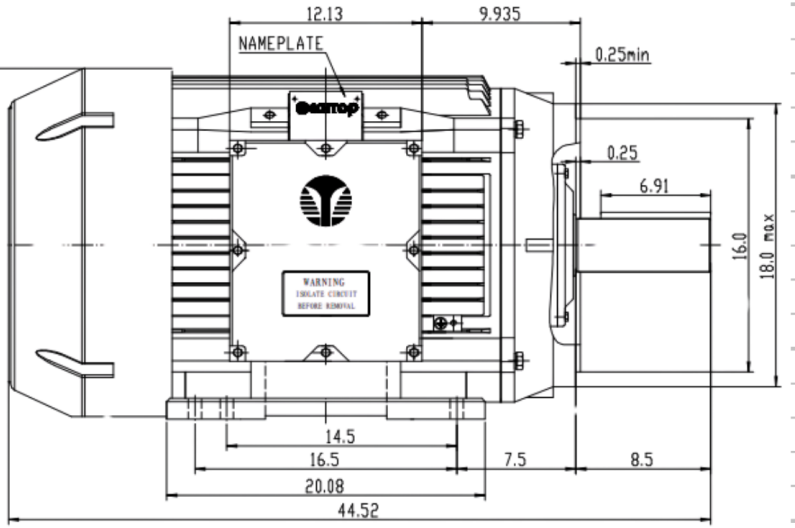
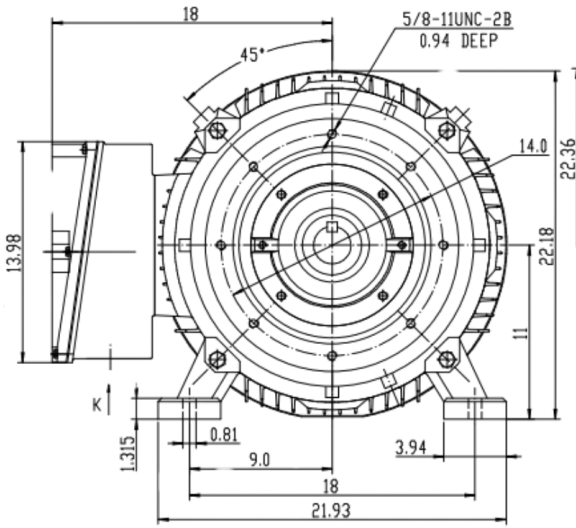
CT VFD Range	--	Loaded Torque Curves	
P1 = INPUT POWER (KW), S = Slip (% of Sync RPM), η = Efficiency (%), cosφ = Power Factor			

Certifications	UL	CSA	DOE
File Numbers	323353	224693	096A
Wiring Diagram	3PH Single Voltage SD3		





Model Number	SD3-444TC-4-BR-E-125-460-60
MFG PN	T444T125U4B
List Price	--
Base Frame	SD-444TC-CI-TF



MODEL NUMBER	GR-CI-TF-444(S)TC	ISSUE DATE:	
DIMENSIONS	IN		
CASTING MATERIAL	CAST IRON	WWW.TECHTOPIND.COM	

Techtop Industries -2815 Colonnades Court - Peachtree Corners, GA 30071 - Phone: (678) 436-5540

Techtop Industries -2815 Colonnades Court - Peachtree Corners, GA 30071 - Phone: (678) 436-5540