



**Model Number** SD3-405TSC-2-BR-E-100-460-60

**MFG PN** T405TS100U2B

**List Price** --

All data shown at HIGH voltage setting

Format STD 3 Phase

Electrical Data		General Data	
Rated Motor Output Power	100 HP	Frame Size	405
Rated Motor Speed	3560 r/min	Enclosure	TEFC
Rated Motor Voltage (3 Phase)	460-60 Volts - HZ	Approximate Weight	1073.2
Rated Motor Current	112 Amps	NEMA Design	B
Service Factor	1.15	IP Rating	56
KVA Code	G	Insulation Class	F
Nominal Efficiency	94.1 %	Tropicalization	YES
Nominal Power Factor	0.89 cosθ	Duty	Cont.
Full Load Torque Ft-Lb	199 Ft-Lb	Cable Entry	1.25
Temp Rise @ Full Load °C	76.1	Feet Removable	YES
Efficiency Level	IE3 - NEMA Premium	Double Drilled	NO

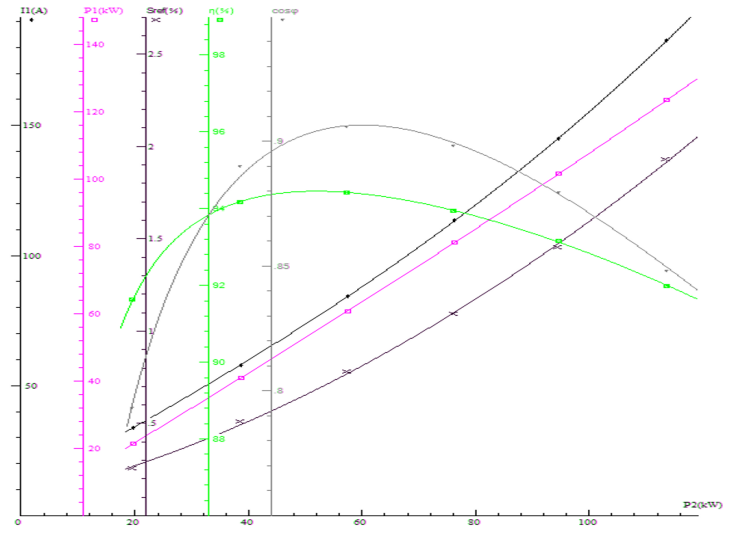
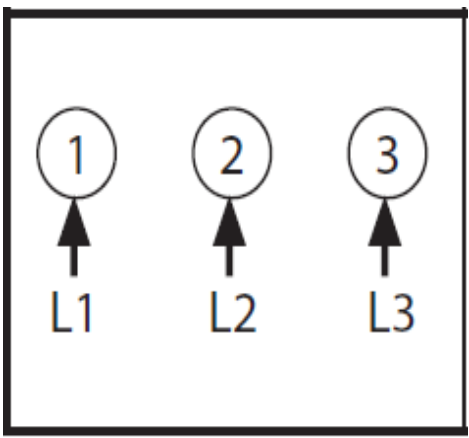
Load Data	RPM	Trq %FL	Current Amps	Mechanical Data	
Locked Rotor	-	163	649	Rated Ambient (°C)	40
Breakdown	-	212	-	Rated Altitude (M)	1000
Pull Up	-	90	-	Coating	7024 - Graphite Grey
125% of FL	3548	-	143.48	Shaft Grounding	YES
75% of FL	3573	-	82.51	Brake Voltage (DC)	--
50% of FL	3583	-	56.59	Brake Torque (N-M)	--
No Load	3594	-	18.61		

Hazardous Location	CL1 Div2 Grp A,B,C,D		Moment of Inertia	-- kg.m2
			Noise Level	Per NEMA dB (A)

CT VFD Range	--	<b>Loaded Torque Curves</b>	
<p><b>P1 = INPUT POWER (KW), S = Slip (% of Sync RPM), η = Efficiency (%), cosφ = Power Factor</b></p>			

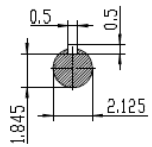
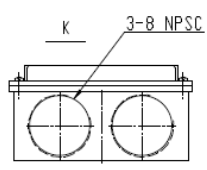
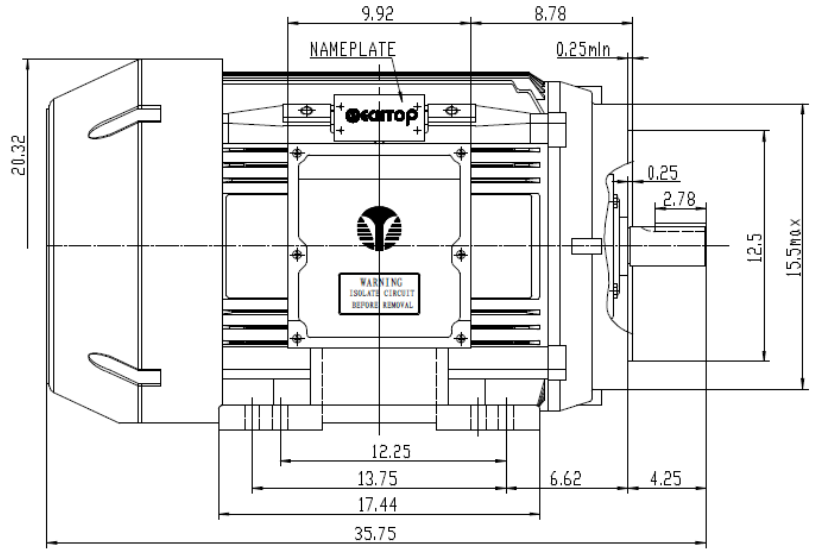
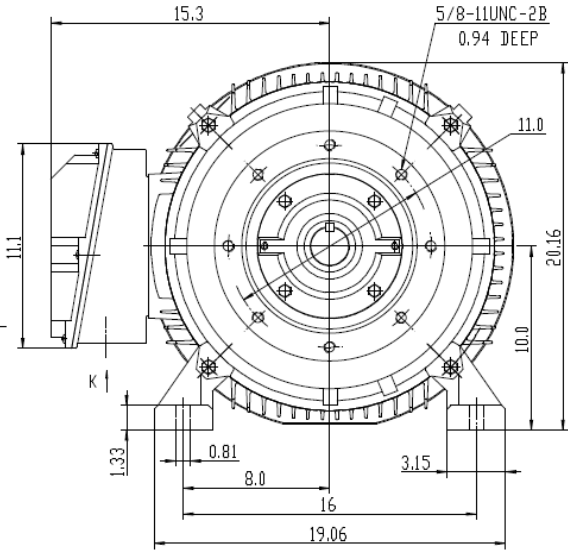
Certifications	UL	CSA	DOE
File Numbers	323353	224693	096A

**Wiring Diagram** 3PH Single Voltage SD3





Model Number	SD3-405TSC-2-BR-E-100-460-60
MFG PN	T405TS100U2B
List Price	--
Base Frame	SD-405TSC-CI-TF



 Shanghai HIMAK Electrical Machinery CO., LTD		NEMA TEFC 404(5)TSC CFC	
Design	Standard	NO.	IHMY.010.C029
Checker	Allow	STEP MARK	1:3.5 SDR1 Cast iron Motor
Auditing	Date		

Techtop Industries -2815 Colonnades Court - Peachtree Corners, GA 30071 - Phone: (678) 436-5540