



Model Number SD3-405TC-4-BR-E-100-460-60

MFG PN T405T100U4B

List Price --

All data shown at HIGH voltage setting

Format STD 3 Phase

Electrical Data		General Data	
Rated Motor Output Power	100 HP	Frame Size	405
Rated Motor Speed	1780 r/min	Enclosure	TEFC
Rated Motor Voltage (3 Phase)	460-60 Volts - HZ	Approximate Weight	1155.9
Rated Motor Current	117 Amps	NEMA Design	B
Service Factor	1.15	IP Rating	56
KVA Code	G	Insulation Class	F
Nominal Efficiency	95.4 %	Tropicalization	YES
Nominal Power Factor	0.84 cosθ	Duty	Cont.
Full Load Torque Ft-Lb	401 Ft-Lb	Cable Entry	1.25
Temp Rise @ Full Load °C	68.4	Feet Removable	YES
Efficiency Level	IE3 - NEMA Premium	Double Drilled	NO

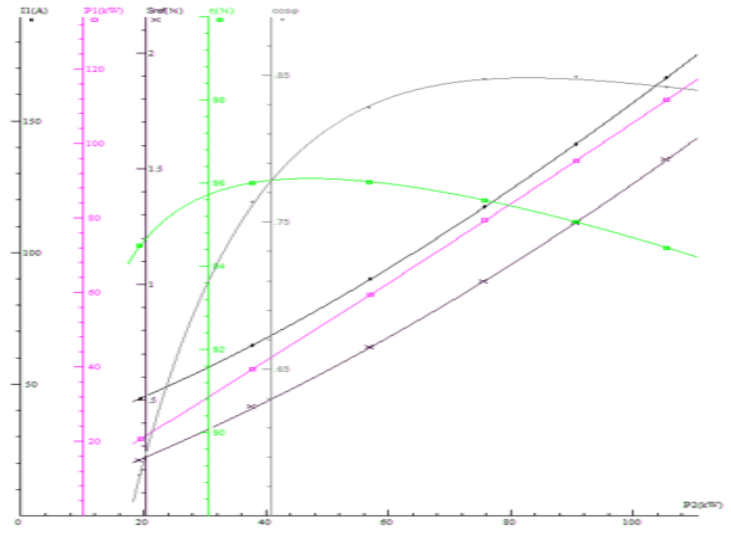
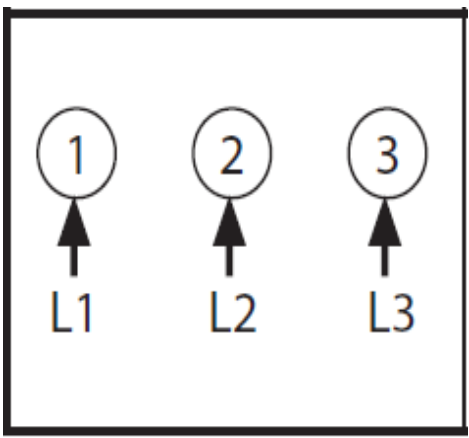
Load Data	RPM	Trq %FL	Current Amps	Mechanical Data	
Locked Rotor	-	243	750	Bearing DE Side	6316 C3
Breakdown	-	227	-	Bearing NDE Side	6314 C3
Pull Up	-	130	-	Moment of Inertia	-- kg.m2
125% of FL	1776	-	146.4	Noise Level	Per NEMA dB (A)
75% of FL	1787	-	88.77		
50% of FL	1792	-	64.51		
No Load	1796	-	33.91		

Hazardous Location	CL1 Div2 Grp A,B,C,D		
--------------------	----------------------	--	--

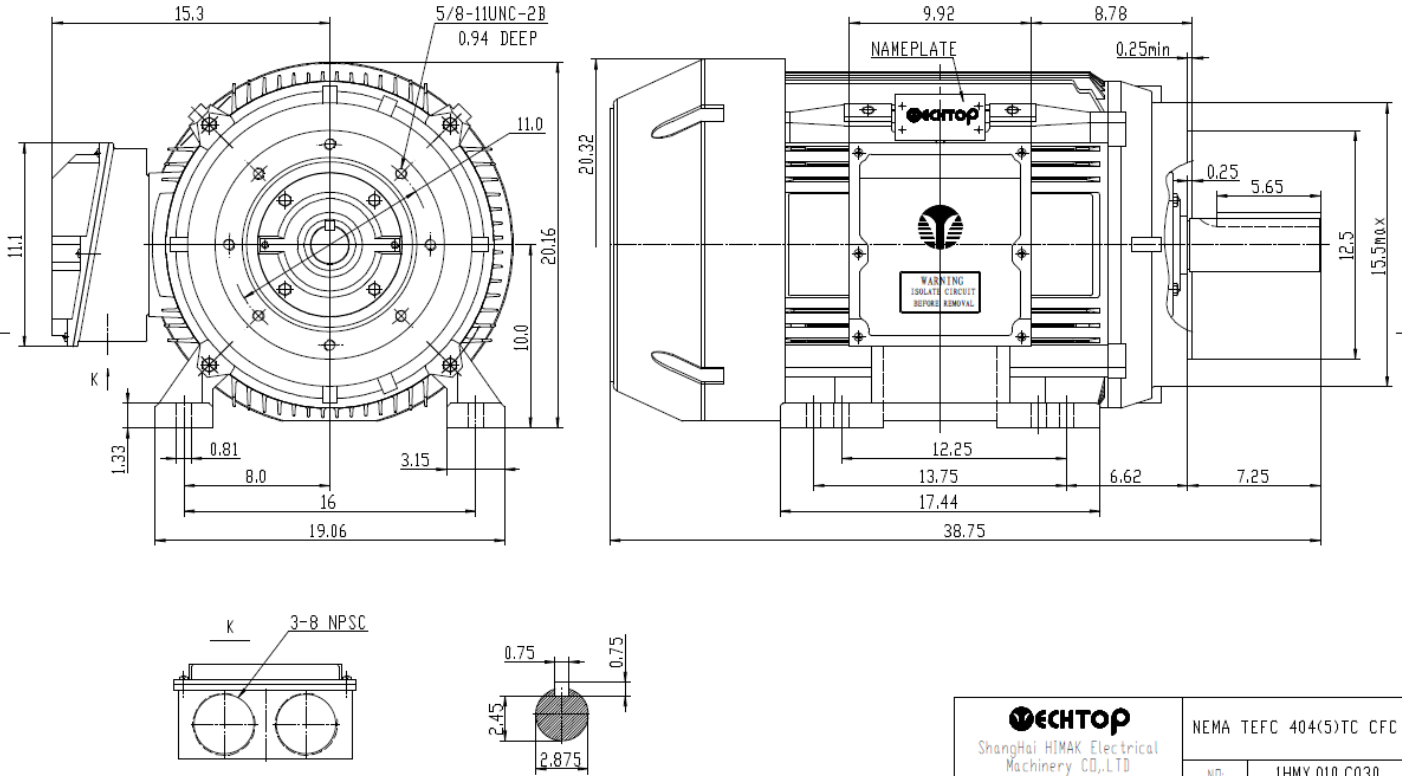
CT VFD Range	--	Loaded Torque Curves	
$P_1 = \text{INPUT POWER (KW)}$, $S = \text{Slip (\% of Sync RPM)}$, $\eta = \text{Efficiency (\%)}$, $\cos\phi = \text{Power Factor}$			


Certifications	UL	CSA	DOE
File Numbers	323353	224693	096A

Wiring Diagram 3PH Single Voltage SD3



Model Number	SD3-405TC-4-BR-E-100-460-60
MFG PN	T405T100U4B
List Price	--
Base Frame	SD-405TC-CI-TF



 Shanghai HIMAK Electrical Machinery CO., LTD		NEMA TEFC 404(5)TC CFC	
Design	Standard	NO:	IHMY.010.C030
Checker	Allow	STEP MARK	1/3.5 SDR1 Cast iron Motor
Auditing	Date		