



Model Number SD3-365TS-2-BR-E-75-460-60

MFG PN T365TS75U2B

List Price --

All data shown at HIGH voltage setting

Format STD 3 Phase

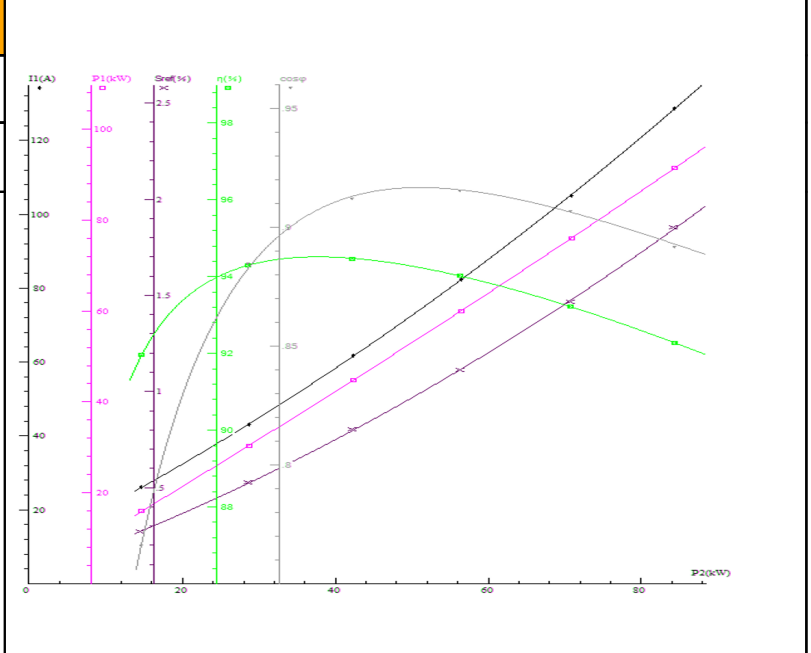
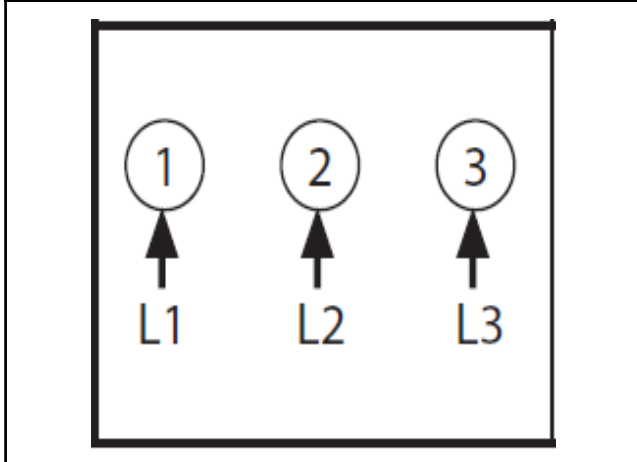
Electrical Data		General Data	
Rated Motor Output Power	75 HP	Frame Size	365
Rated Motor Speed	3560 r/min	Enclosure	TEFC
Rated Motor Voltage (3 Phase)	460-60 Volts - HZ	Approximate Weight	846.1
Rated Motor Current	82.5 Amps	NEMA Design	B
Service Factor	1.15	IP Rating	56
KVA Code	G	Insulation Class	F
Nominal Efficiency	93.6 %	Tropicalization	YES
Nominal Power Factor	0.91 cosθ	Duty	Cont.
Full Load Torque Ft-Lb	149.35 Ft-Lb	Cable Entry	1.25
Temp Rise @ Full Load °C	72.4	Feet Removable	YES
Efficiency Level	IE3 - NEMA Premium	Double Drilled	NO

Load Data	RPM	Trq %FL	Current Amps	Mechanical Data	
Locked Rotor	-	172	545.6	Bearing DE Side	6313 C3
Breakdown	-	222	-	Bearing NDE Side	6313 C3
Pull Up	-	84	-	Moment of Inertia	-- kg.m2
125% of FL	3548	-	103.85	Noise Level	Per NEMA dB (A)
75% of FL	3571	-	61.11		
50% of FL	3581	-	42.35		
No Load	--	-	15.64		

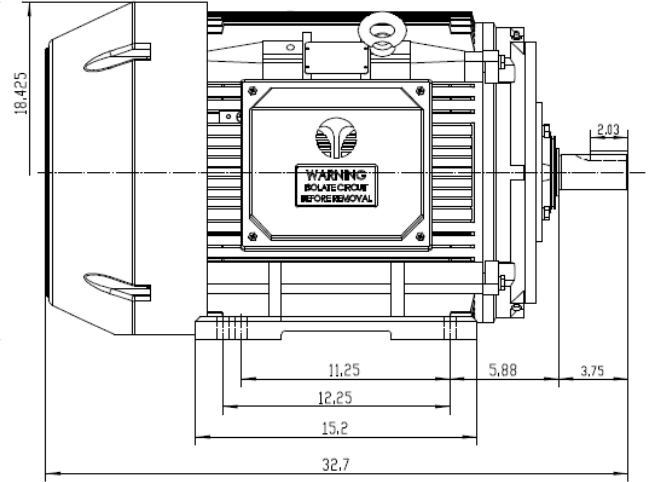
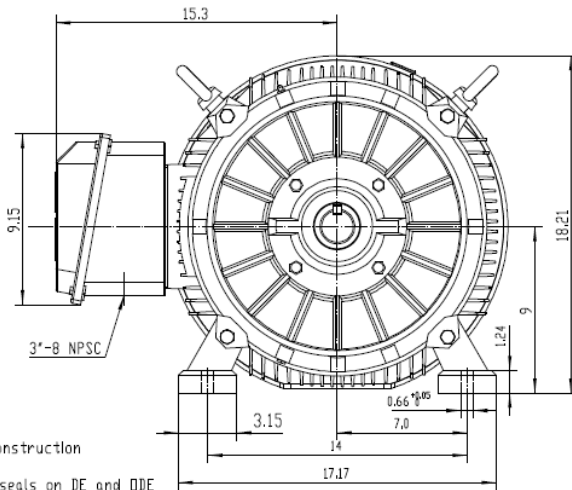
Hazardous Location	CL1 Div2 Grp A,B,C,D		
--------------------	----------------------	--	--

CT VFD Range	--	Loaded Torque Curves	
$P1 = \text{INPUT POWER (KW)}$, $S = \text{Slip (\% of Sync RPM)}$, $\eta = \text{Efficiency (\%)}$, $\cos\phi = \text{Power Factor}$			

Certifications	UL	CSA	DOE
File Numbers	323353	224693	096A
Wiring Diagram	3PH Single Voltage SD3		



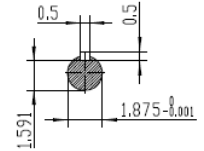
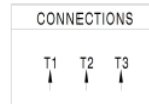
Model Number	SD3-365TS-2-BR-E-75-460-60
MFG PN	T365TS75U2B
List Price	--
Base Frame	SD-365TS-CI-TF



NOTES:

- All Cast Iron Construction
- Design B
- IP55 Labyrinth seals on DE and ODE
- H Class Insulation System
- Max Winding Temperature rise 80°C
- Max bearing temperature rise 45°C for 4 pole and 50°C for 2 pole motors when direct coupled.
- Regreasable bearings
- External Grounding provisions
- Maximum foot flatness deviation .127 mm
- Conductive Polymer Cooling Fan
- Diagonally Split Conduit Box rotatable in 90° Increments
- Lead seals in conduit box
- Maximum no load sound power 85 dBA(2 pole),
Maximum no load sound power 70 dBA(4 pole),
Maximum no load sound power 64 dBA(6 pole).
- No Load Motor Vibration not to exceed
a.Radial 60HZ - 2.03mm/s (2,4 pole) and 1.52mm/s (6 pole)
b.Axial 60HZ - 1.52mm/s
- 300 series Stainless Steel hardware
- Epoxy Coating meeting ASTM B117-97 for 96 h
- All Internal surfaces coated with anti-corrosion coating.
- Internal Shaft Grounding brush installed on drive end.
- No Load test report Included with motor

TECHTOP IEEB 841 SEVERE DUTY Electric Motors		TECHTOP.COM	
MODEL	SD3-365TS-2-BR-E-75	MFG PN	T365TS75U2B
NEMA	75	SER #	160370243
HP	75	DATE	0688002
RPM	3560 2540	DESIGN	B
VOLT(3Ø)	460 380	FRAME	365TS
FLA	82.5 101	ENCL	TEFC
SF	1.15 1	IP	55
KVA CODE	G E	DUTY	Cont.
NOM EFF	0.936	INS CL	H
BEARING SIZE		AMB	40 °C
TE 883-CI		WEIGHT	567.7 lbs
VFD 15.1 CT-1.0 SF		MADE IN CHINA 2008	



 ShangHai HIMAK Electrical Machinery CO., LTD		NEMA TEFC 365TS-75HP-2P	
		IEEE-841 UNITS:INCH	
Design	Standard	NO:	CY258.A20.004
Checker	Allow	STEP MARK	1:5 SORT Cast iron Motor
Auditing	Date		