



Model Number

SD3-365TC-4-BR-E-75-460-60

MFG PN

T365T75U4B

List Price

--

All data shown at HIGH voltage setting

Format STD 3 Phase

Electrical Data

General Data

Rated Motor Output Power	75 HP	Frame Size	365
Rated Motor Speed	1775 r/min	Enclosure	TEFC
Rated Motor Voltage (3 Phase)	460-60 Volts - HZ	Approximate Weight	860.8
Rated Motor Current	84.6 Amps	NEMA Design	B
Service Factor	1.15	IP Rating	56
KVA Code	G	Insulation Class	F
Nominal Efficiency	95.4 %	Tropicalization	YES
Nominal Power Factor	0.87 cosθ	Duty	Cont.
Full Load Torque Ft-Lb	293.07 Ft-Lb	Cable Entry	1.25
Temp Rise @ Full Load °C	74.3	Feet Removable	YES
Efficiency Level	IE3 - NEMA Premium	Double Drilled	NO

Load Data	RPM	Trq %FL	Current Amps	Rated Ambient (°C)	40
Locked Rotor	-	168	484.8	Rated Altitude (M)	1000
Breakdown	-	218	-	Coating	7024 - Graphite Grey
Pull Up	-	114	-	Shaft Grounding	YES
125% of FL	1767	-	106.24	Brake Voltage (DC)	--
75% of FL	1783	-	62.75	Brake Torque (N-M)	--
50% of FL	1789	-	44.51	Mechanical Data	
No Load	1796	-	21.02	Bearing DE Side	6313 C3

Hazardous Location	CL1 Div2 Grp A,B,C,D	Moment of Inertia	-- kg.m2
		Noise Level	Per NEMA dB (A)
		Loaded Torque Curves	
		--	

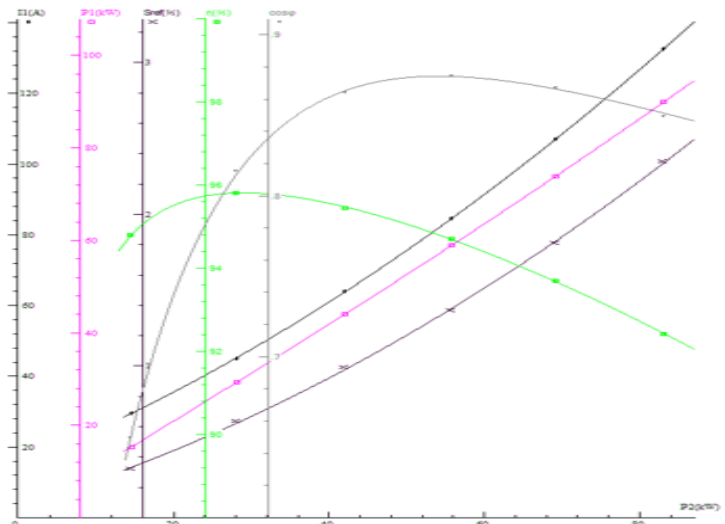
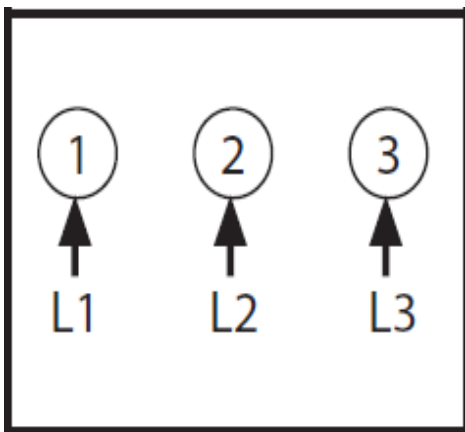
CT VFD Range

--

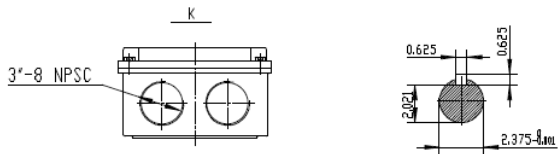
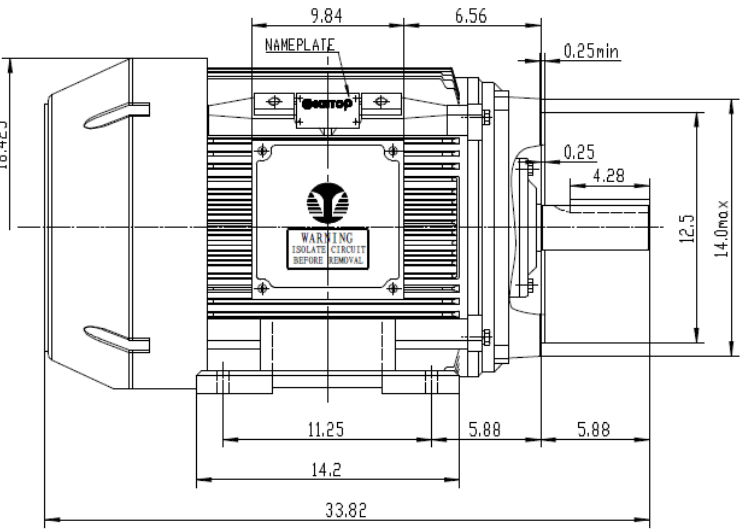
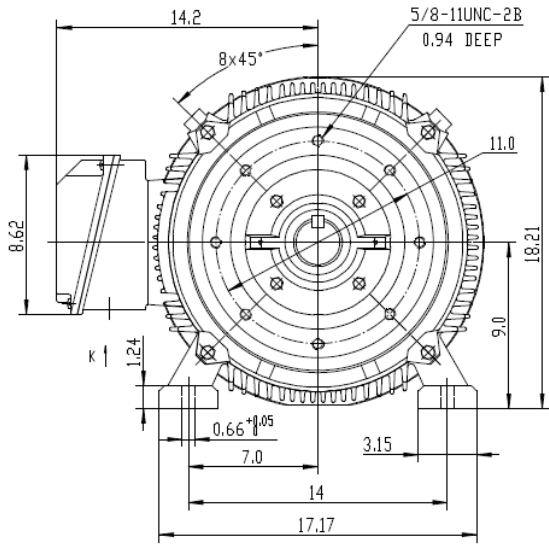
P1 = INPUT POWER (KW), S = Slip (% of Sync RPM), η = Efficiency (%), cosφ = Power Factor


Certifications	UL	CSA	DOE
File Numbers	323353	224693	096A

Wiring Diagram 3PH Single Voltage SD3



Model Number	SD3-365TC-4-BR-E-75-460-60
MFG PN	T365T75U4B
List Price	--
Base Frame	SD-365TC-CI-TF



 ShangHai HIMAX Electrical Machinery CO., LTD		NEMA TEFC 364TC CFC	
		NO:	1HMY.010.027
Design	Standard	STEP MARK	1:5 SORT Cast iron Motor
Checker	Allow		
Auditing	Date		