



Model Number

SD3-365T-4-BR-E-75-460-60

MFG PN

T365T75U4B

List Price

--

All data shown at HIGH voltage setting

Format STD 3 Phase

Electrical Data

General Data

Rated Motor Output Power	75 HP	Frame Size	365
Rated Motor Speed	1775 r/min	Enclosure	TEFC
Rated Motor Voltage (3 Phase)	460-60 Volts - HZ	Approximate Weight	825.8
Rated Motor Current	84.6 Amps	NEMA Design	B
Service Factor	1.15	IP Rating	56
KVA Code	G	Insulation Class	F
Nominal Efficiency	95.4 %	Tropicalization	YES
Nominal Power Factor	0.87 cosθ	Duty	Cont.
Full Load Torque Ft-Lb	293.07 Ft-Lb	Cable Entry	1.25
Temp Rise @ Full Load °C	74.3	Feet Removable	YES
Efficiency Level	IE3 - NEMA Premium	Double Drilled	NO

Load Data	RPM	Trq %FL	Current Amps	Rated Ambient (°C)	40
Locked Rotor	-	168	484.8	Rated Altitude (M)	1000
Breakdown	-	218	-	Coating	7024 - Graphite Grey
Pull Up	-	114	-	Shaft Grounding	YES
125% of FL	1767	-	106.24	Brake Voltage (DC)	--
75% of FL	1783	-	62.75	Brake Torque (N-M)	--
50% of FL	1789	-	44.51	Mechanical Data	
No Load	1796	-	21.02	Bearing DE Side	6313 C3

Hazardous Location	CL1 Div2 Grp A,B,C,D	Moment of Inertia	-- kg.m2
		Noise Level	Per NEMA dB (A)
		Loaded Torque Curves	
		--	

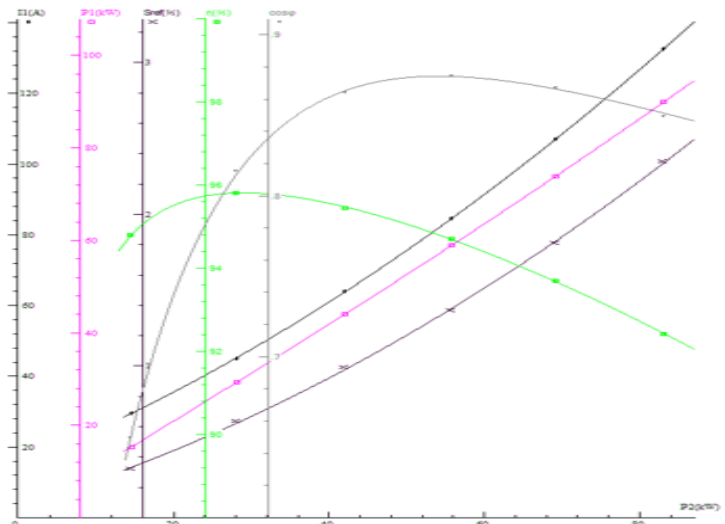
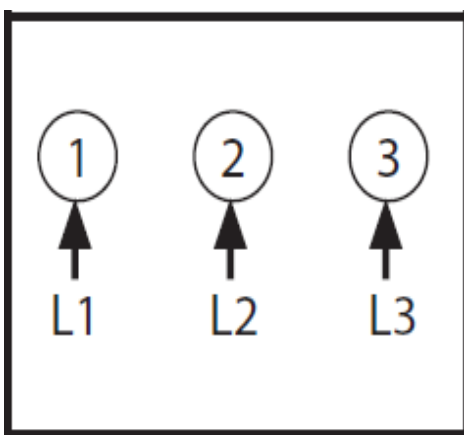
CT VFD Range

--

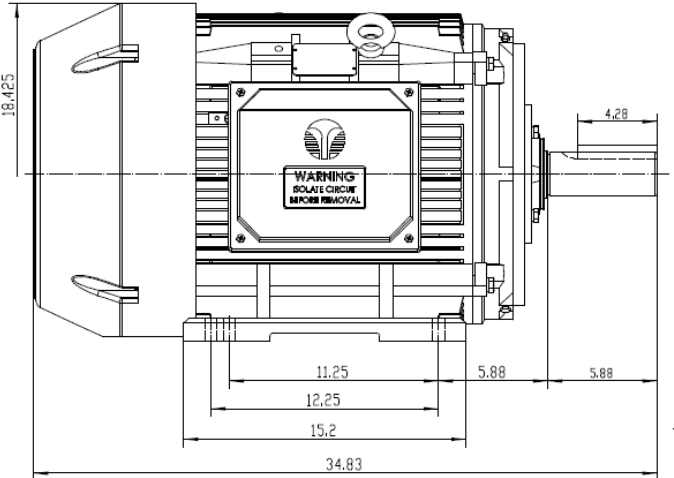
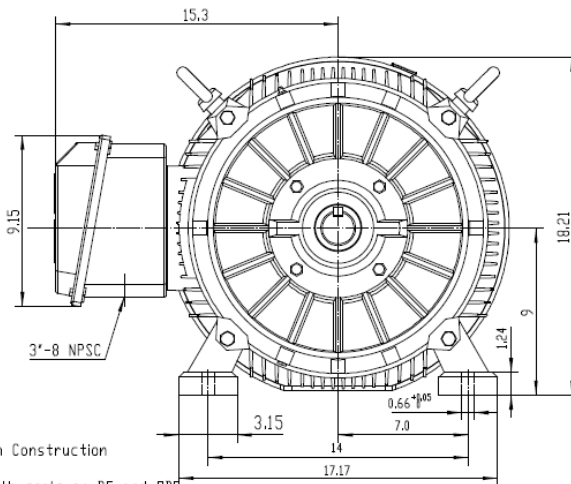
P1 = INPUT POWER (KW), S = Slip (% of Sync RPM), η = Efficiency (%), cosφ = Power Factor

Certifications	UL	CSA	DOE
File Numbers	323353	224693	096A

Wiring Diagram 3PH Single Voltage SD3



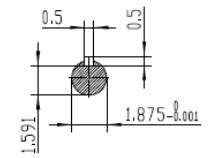
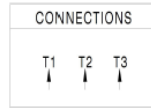
Model Number	SD3-365T-4-BR-E-75-460-60
MFG PN	T365T75U4B
List Price	--
Base Frame	SD-365T-CI-TF



NOTES:

- All Cast Iron Construction
- Design B
- IP55 Labyrinth seals on DE and DDE
- H Class Insulation System
- Max Winding Temperature rise 80°C
- Max bearing temperature rise 45°C for 4 pole and 50°C for 2 pole motors when direct coupled.
- Regreasable bearings
- External Grounding provisions
- Maximum foot flatness deviation .127 mm
- Conductive Polymer Cooling Fan
- Diagonally Split Conduit Box rotatable in 90° Increments
- Lead seals in conduit box
- Maximum no load sound power 85 dBA(2 pole),
Maximum no load sound power 70 dBA(4 pole),
Maximum no load sound power 64 dBA(6 pole).
- No Load Motor Vibration not to exceed
a.Radial 60HZ - 2.03mm/s (2,4 pole) and 1.52mm/s (6 pole)
b.Axial 60HZ - 1.52mm/s
- 300 series Stainless Steel hardware
- Epoxy Coating meeting ASTM B117-97 for 96 h
- All Internal surfaces coated with anti-corrosion coating.
- Internal Shaft Grounding brush Installed on drive end.
- No Load test report included with motor

TECHTOP IEEE 841		SEVERE DUTY ELECTRIC MOTOR	
MODEL	SD3-365T-4-BR-E-50	MFG PN	T365T75U4B
HP	50	SER #	1603102042
RPM	1180	DATE	06/8/002
VOLT(S)	460	DESIGN	B
FLA	60.9	FRAME	365T
SF	1.15	ENCL	TEFC
KVA CODE	G	IP	55
NOM EFF	0.941	DUTY	Cont
INS CL		H	
AMB °C		40	
WEIGHT		524.7 lbs	
MADE IN CHINA 201495			



 ShangHai HIMAK Electrical Machinery CO., LTD		NEMA TEFC 365T-50HP-6P	
		IEEE-841 UNITS:INCH	
Design	Standard	NO:	CY258.A20.006
Checker	Allow	STEP MARK	1:5
Auditing	Date	SORT	Cast iron Motor