



**Model Number** SD3-364TSC-2-BR-E-60-460-60

**MFG PN** T364TS60U2B

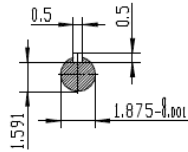
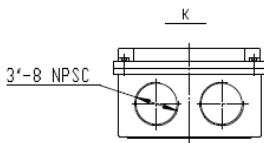
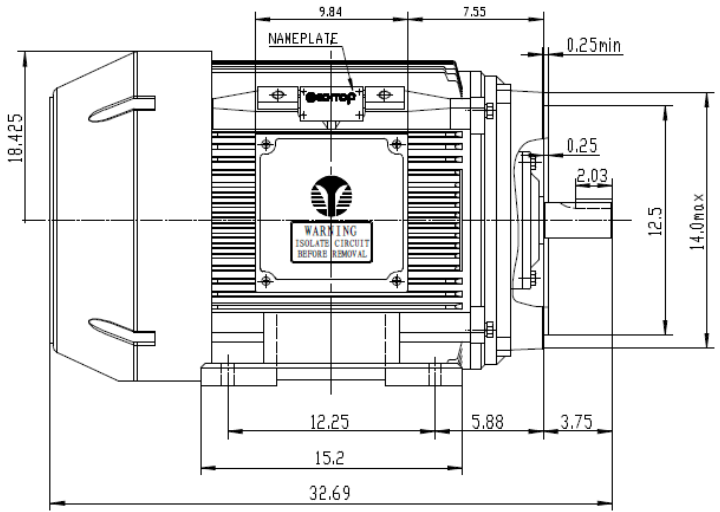
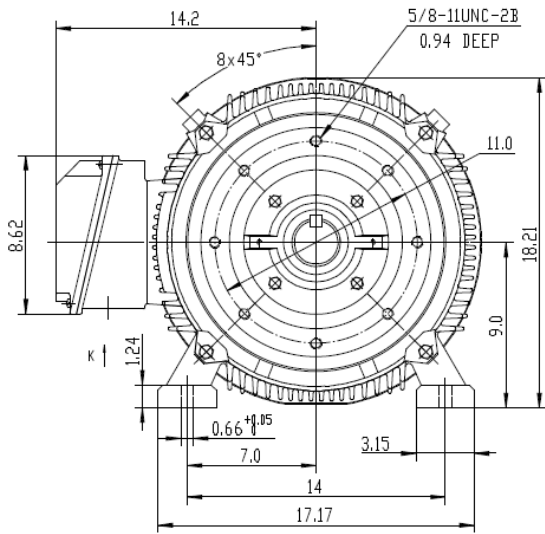
**List Price** --


All data shown at HIGH voltage setting

Format STD 3 Phase

Electrical Data				General Data	
Rated Motor Output Power	60 HP			Frame Size	364
Rated Motor Speed	3560 r/min			Enclosure	TEFC
Rated Motor Voltage (3 Phase)	460-60 Volts - HZ			Approximate Weight	802.5
Rated Motor Current	66 Amps			NEMA Design	B
Service Factor	1.15			IP Rating	56
KVA Code	G			Insulation Class	F
Nominal Efficiency	93.6 %			Tropicalization	YES
Nominal Power Factor	0.91 cosθ			Duty	Cont.
Full Load Torque Ft-Lb	119.73 Ft-Lb			Cable Entry	1.25
Temp Rise @ Full Load °C	62.9			Feet Removable	YES
Efficiency Level	IE3 - NEMA Premium			Double Drilled	NO
Load Data	RPM	Trq %FL	Current Amps	Rated Ambient (°C)	40
Locked Rotor	-	146	404	Rated Altitude (M)	1000
Breakdown	-	226	-	Coating	7024 - Graphite Grey
Pull Up	-	84	-	Shaft Grounding	YES
125% of FL	3548	-	84.01	Brake Voltage (DC)	--
75% of FL	3572	-	49.52	Brake Torque (N-M)	--
50% of FL	3582	-	34.49	Mechanical Data	
No Load	--	-	13.05	Bearing DE Side	6313 C3
Hazardous Location	CL1 Div2 Grp A,B,C,D			Bearing NDE Side	6313 C3
				Moment of Inertia	-- kg.m2
				Noise Level	Per NEMA dB (A)
CT VFD Range		--		Loaded Torque Curves	
				P1 = INPUT POWER (KW), S = Slip (% of Sync RPM), η = Efficiency (%), cosφ = Power Factor	
Certifications	UL	CSA	DOE		
File Numbers	323353	224693	096A		
Wiring Diagram	3PH Single Voltage SD3				

Model Number	SD3-364TSC-2-BR-E-60-460-60
MFG PN	T364TS60U2B
List Price	--
Base Frame	SD-364TSC-CI-TF



 ShangHai HIMAK Electrical Machinery CO., LTD		NEMA TEFC 365TSC CFC		
		NO:	1HMY.010.026	
Design	Standard	STEP MARK	1:5	sort
Checker	Allow			Cast iron Motor
Auditing	Date			