



Model Number

SD3-364TC-4-BR-E-60-460-60

MFG PN

T364T60U4B

List Price

--

All data shown at HIGH voltage setting

Format STD 3 Phase

**Electrical Data**

**General Data**

Rated Motor Output Power	60 HP	Frame Size	364
Rated Motor Speed	1775 r/min	Enclosure	TEFC
Rated Motor Voltage (3 Phase)	460-60 Volts - HZ	Approximate Weight	786.5
Rated Motor Current	68.8 Amps	NEMA Design	B
Service Factor	1.15	IP Rating	56
KVA Code	G	Insulation Class	F
Nominal Efficiency	95 %	Tropicalization	YES
Nominal Power Factor	0.86 cosθ	Duty	Cont.
Full Load Torque Ft-Lb	240.46 Ft-Lb	Cable Entry	1.25
Temp Rise @ Full Load °C	63.7	Feet Removable	YES
Efficiency Level	IE3 - NEMA Premium	Double Drilled	NO

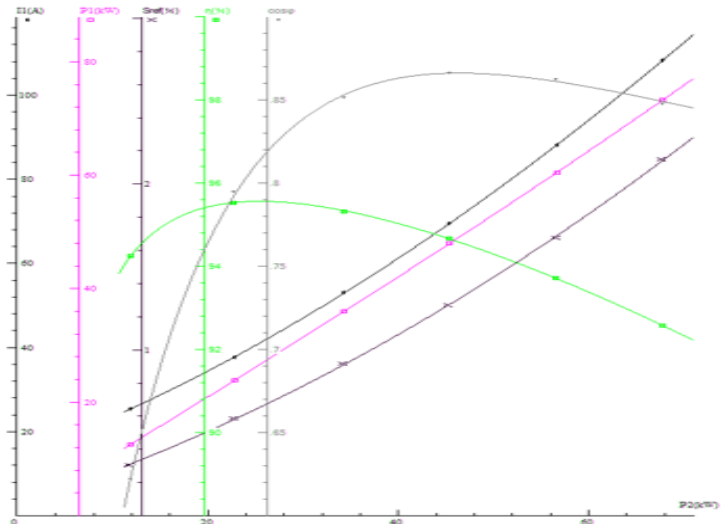
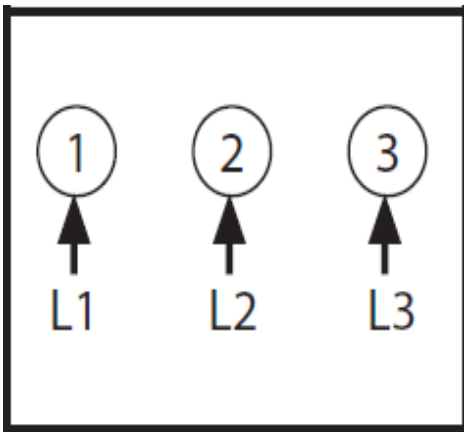
Load Data	RPM	Trq %FL	Current Amps	Rated Ambient (°C)	40
Locked Rotor	-	177	413.2	Rated Altitude (M)	1000
Breakdown	-	259	-	Coating	7024 - Graphite Grey
Pull Up	-	139	-	Shaft Grounding	YES
125% of FL	1770	-	87.43	Brake Voltage (DC)	--
75% of FL	1784	-	52.16	Brake Torque (N-M)	--
50% of FL	1790	-	37.41	<b>Mechanical Data</b>	
No Load	1796	-	18.91	Bearing DE Side	6313 C3

Hazardous Location	CL1 Div2 Grp A,B,C,D			Bearing NDE Side	6313 C3
				Moment of Inertia	-- kg.m2
				Noise Level	Per NEMA dB (A)

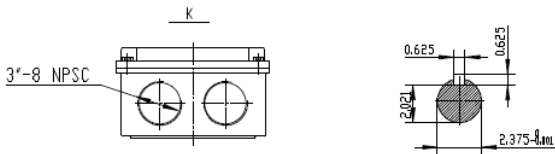
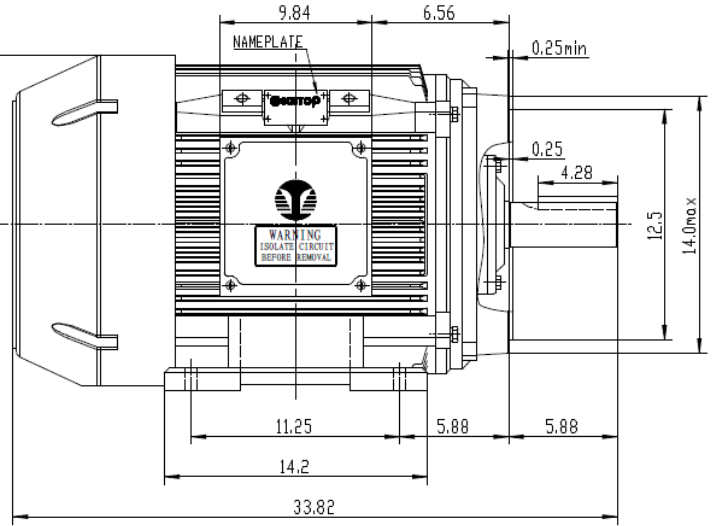
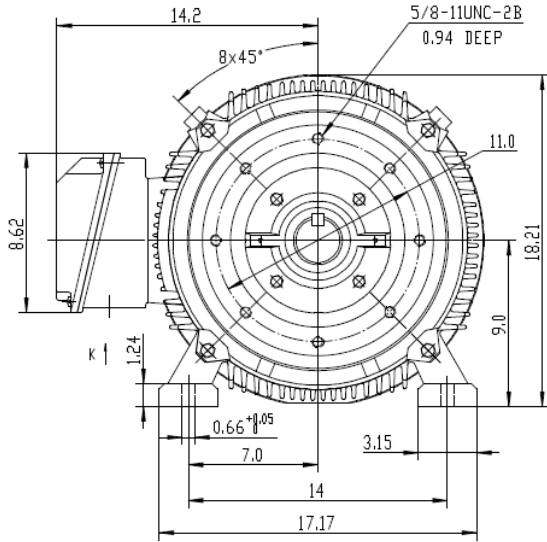
CT VFD Range	--	<b>Loaded Torque Curves</b>		--
<p><b>P1 = INPUT POWER (KW), S = Slip (% of Sync RPM), η = Efficiency (%), cosφ = Power Factor</b></p>				


Certifications	UL	CSA	DOE
File Numbers	323353	224693	096A

Wiring Diagram 3PH Single Voltage SD3



Model Number	SD3-364TC-4-BR-E-60-460-60
MFG PN	T364T60U4B
List Price	--
Base Frame	SD-364TC-CI-TF



 ShangHai HIMAX Electrical Machinery CO., LTD		NEMA TEFC 364TC CFC	
		NO:	1HMY.010.027
Design	Standard	STEP MARK	1:5 SORT Cast iron Motor
Checker	Allow		
Auditing	Date		