



Model Number SD3-326TC-6-BR-E-30-460-60

MFG PN T326T30U6B

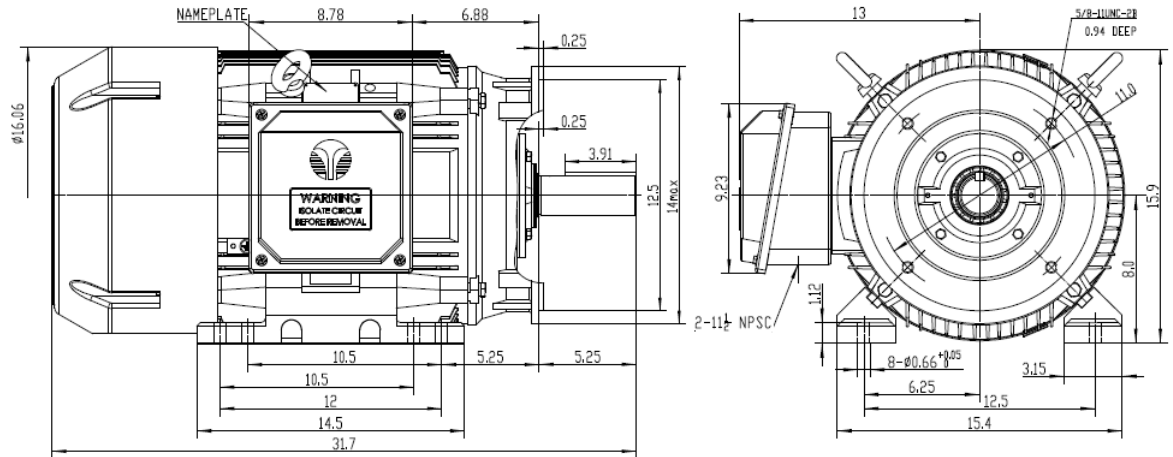
List Price --

All data shown at HIGH voltage setting

Format STD 3 Phase


Electrical Data				General Data	
Rated Motor Output Power	30 HP			Frame Size	326
Rated Motor Speed	1175 r/min			Enclosure	TEFC
Rated Motor Voltage (3 Phase)	460-60 Volts - HZ			Approximate Weight	598.8
Rated Motor Current	38.2 Amps			NEMA Design	B
Service Factor	1.25			IP Rating	56
KVA Code	G			Insulation Class	F
Nominal Efficiency	93 %			Tropicalization	YES
Nominal Power Factor	0.79 cosθ			Duty	Cont.
Full Load Torque Ft-Lb	178.61 Ft-Lb			Cable Entry	1.25
Temp Rise @ Full Load °C	56.3			Feet Removable	YES
Efficiency Level	IE3 - NEMA Premium			Double Drilled	NO
Load Data	RPM	Trq %FL	Current Amps	Rated Ambient (°C)	40
Locked Rotor	-	172	187.7	Rated Altitude (M)	1000
Breakdown	-	200	-	Coating	7024 - Graphite Grey
Pull Up	-	129	-	Shaft Grounding	YES
125% of FL	1171	-	47.87	Brake Voltage (DC)	--
75% of FL	1186	-	28.91	Brake Torque (N-M)	--
50% of FL	1191	-	21.71	Mechanical Data	
No Load	1194	-	13.03	Bearing DE Side	6312 C3
Hazardous Location	CL1 Div2 Grp A,B,C,D			Bearing NDE Side	6312 C3
				Moment of Inertia	-- kg.m2
				Noise Level	Per NEMA dB (A)
CT VFD Range		--		Loaded Torque Curves	
				P1 = INPUT POWER (KW), S = Slip (% of Sync RPM), η = Efficiency (%), cosφ = Power Factor	
Certifications	UL	CSA	DOE		
File Numbers	323353	224693	096A		
Wiring Diagram	3PH Single Voltage SD3				

Model Number	SD3-326TC-6-BR-E-30-460-60
MFG PN	T326T30U6B
List Price	--
Base Frame	SD-326TC-CI-TF



NOTES:

- All Cast Iron Construction
- Design B
- IP55 Labyrinth seals on DE and DDE
- H Class Insulation System
- Max Winding Temperature rise 80°C
- Max bearing temperature rise 45°C for 4 pole and 50°C for 2 pole motors when direct coupled.
- Regreasable bearings
- External Grounding provisions
- Maximum foot flatness deviation .127 mm
- Conductive Polymer Cooling Fan
- Diagonally Split Conduit Box rotatable In 90° Increments
- Lead seals In conduit box
- Maximum no load sound power 85 dBA(2 pole),
Maximum no load sound power 70 dBA(4 pole),
Maximum no load sound power 64 dBA(6 pole).
- No Load Motor Vibration not to exceed
a.Radial 60HZ - 2.03mm/s (2,4 pole) and 1.52mm/s (6 pole)
b.Axial 60HZ - 1.52mm/s
- 300 series Stainless Steel hardware
- Epoxy Coating meeting ASTM B117-97 for 96 h
- All internal surfaces coated with anti-corrosion coating.
- Internal Shaft Grounding brush Installed on drive end.
- No Load test report Included with motor

 ShangHai HIMAK Electrical Machinery CO., LTD		EMA TEFC 326TC	
		IEEE-841 UNITS:INCH	
Design	Standard	NO:	CY257.A21.004
Checker	Allow	STEP MARK	1:5 SORT Cast iron Motor
Auditing	Date		