



Model Number

SD3-326TC-4-BR-E-50-460-60

MFG PN

T326T50U4B

List Price

--

All data shown at HIGH voltage setting

Format STD 3 Phase

Electrical Data

General Data

Rated Motor Output Power	50 HP	Frame Size	326
Rated Motor Speed	1770 r/min	Enclosure	TEFC
Rated Motor Voltage (3 Phase)	460-60 Volts - HZ	Approximate Weight	639.7
Rated Motor Current	56.3 Amps	NEMA Design	B
Service Factor	1.25	IP Rating	56
KVA Code	G	Insulation Class	F
Nominal Efficiency	94.5 %	Tropicalization	YES
Nominal Power Factor	0.88 cosθ	Duty	Cont.
Full Load Torque Ft-Lb	200.7 Ft-Lb	Cable Entry	1.25
Temp Rise @ Full Load °C	60.6	Feet Removable	YES
Efficiency Level	IE3 - NEMA Premium	Double Drilled	NO

Load Data	RPM	Trq %FL	Current Amps	Rated Ambient (°C)	40
Locked Rotor	-	198	340.2	Rated Altitude (M)	1000
Breakdown	-	234	-	Coating	7024 - Graphite Grey
Pull Up	-	134	-	Shaft Grounding	YES
125% of FL	1763	-	70.54	Brake Voltage (DC)	--
75% of FL	1780	-	42.63	Brake Torque (N-M)	--
50% of FL	1787	-	30.99	Mechanical Data	
No Load	--	-	16.38	Bearing DE Side	6312 C3

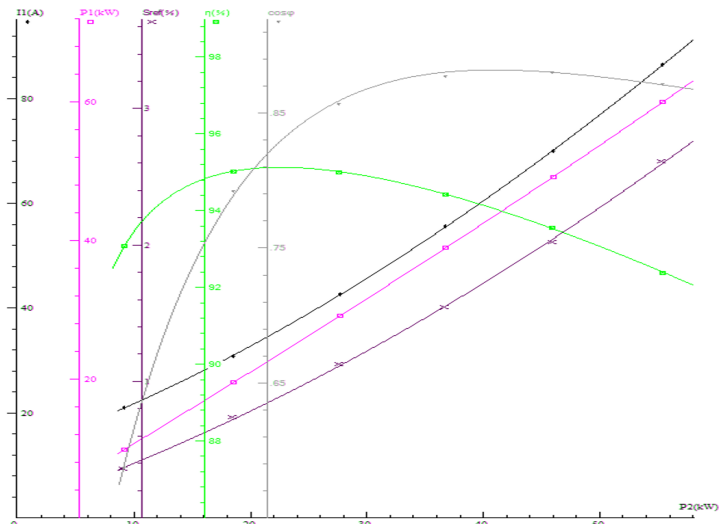
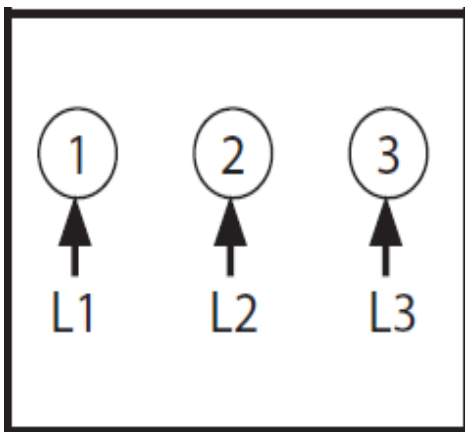
Hazardous Location	CL1 Div2 Grp A,B,C,D			Moment of Inertia	-- kg.m2	
				Noise Level	Per NEMA dB (A)	
				Loaded Torque Curves		--
				P1 = INPUT POWER (KW), S = Slip (% of Sync RPM), η = Efficiency (%), cosφ = Power Factor		

CT VFD Range		--	
--------------	--	----	--

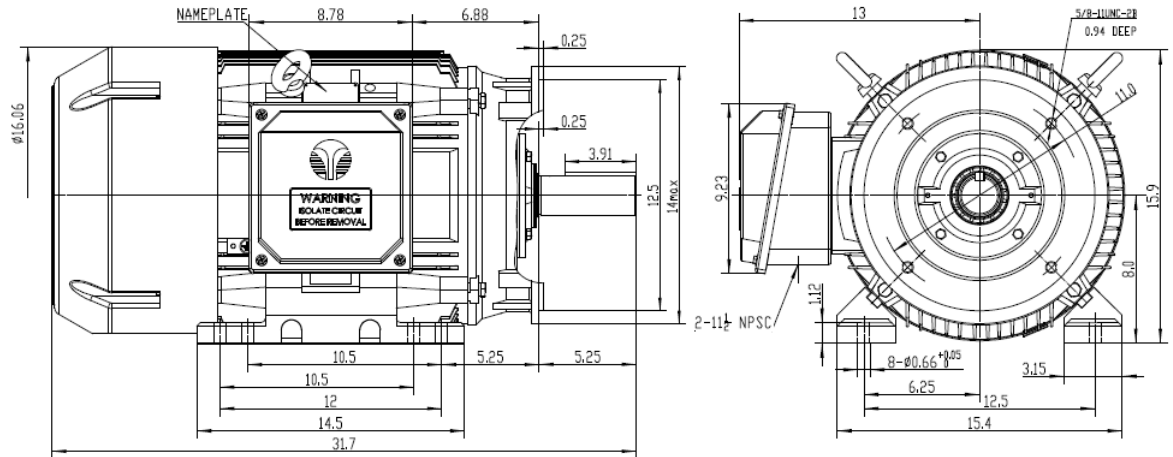
Certifications	UL	CSA	DOE
----------------	----	-----	-----

File Numbers	323353	224693	096A
--------------	--------	--------	------

Wiring Diagram	3PH Single Voltage SD3
----------------	------------------------




Model Number	SD3-326TC-4-BR-E-50-460-60
MFG PN	T326T50U4B
List Price	--
Base Frame	SD-326TC-CI-TF



NOTES:

1. All Cast Iron Construction
2. Design B
3. IP55 Labyrinth seals on DE and DDE
4. H Class Insulation System
5. Max Winding Temperature rise 80°C
6. Max bearing temperature rise 45°C for 4 pole and 50°C for 2 pole motors when direct coupled.
7. Regreasable bearings
8. External Grounding provisions
9. Maximum foot flatness deviation .127 mm
10. Conductive Polymer Cooling Fan
11. Diagonally Split Conduit Box rotatable In 90° Increments
12. Lead seals In conduit box
13. Maximum no load sound power 85 dBA(2 pole),
Maximum no load sound power 70 dBA(4 pole),
Maximum no load sound power 64 dBA(6 pole).
14. No Load Motor Vibration not to exceed
a.Radial 60HZ - 2.03mm/s (2,4 pole) and 1.52mm/s (6 pole)
b.Axial 60HZ - 1.52mm/s
15. 300 series Stainless Steel hardware
16. Epoxy Coating meeting ASTM B117-97 for 96 h
17. All internal surfaces coated with anti-corrosion coating.
18. Internal Shaft Grounding brush Installed on drive end.
19. No Load test report Included with motor

 ShangHai HIMAK Electrical Machinery CO., LTD		EMA TEFC 326TC	
		IEEE-841 UNITS:INCH	
Design	Standard	NO:	CY257.A21.004
Checker	Allow	STEP MARK	1:5 SORT Cast iron Motor
Auditing	Date		