



**Model Number** SD3-286TSC-2-BR-E-30-460-60

**MFG PN** T284TS30U2B

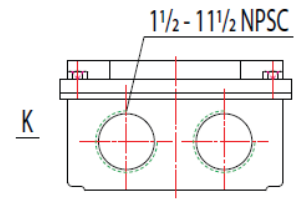
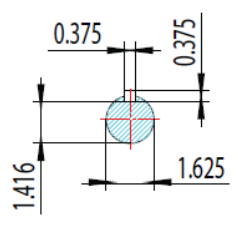
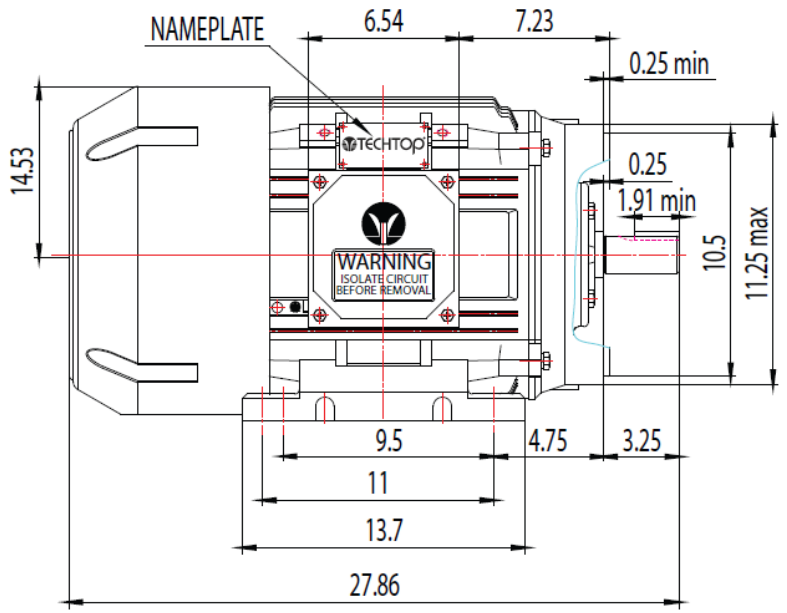
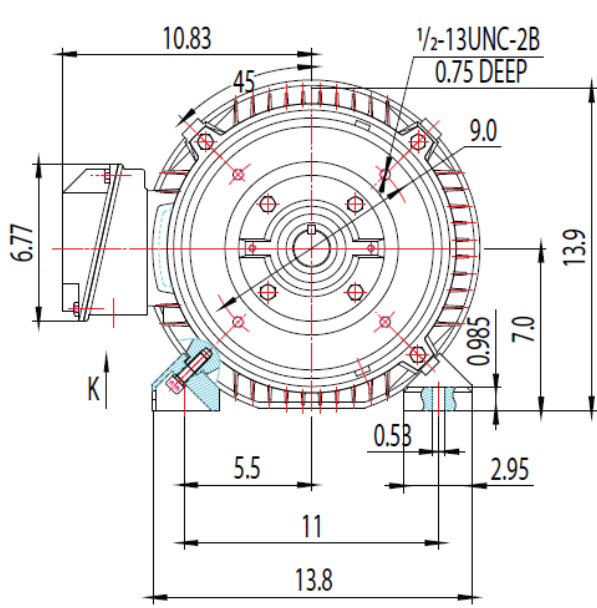
**List Price** --

All data shown at HIGH voltage setting

Format STD 3 Phase

Electrical Data				General Data	
Rated Motor Output Power	30 HP			Frame Size	286
Rated Motor Speed	3530 r/min			Enclosure	TEFC
Rated Motor Voltage (3 Phase)	460-60 Volts - HZ			Approximate Weight	388.7
Rated Motor Current	33.7 Amps			NEMA Design	B
Service Factor	1.25			IP Rating	56
KVA Code	G			Insulation Class	F
Nominal Efficiency	91.7 %			Tropicalization	YES
Nominal Power Factor	0.91 cosθ			Duty	Cont.
Full Load Torque Ft-Lb	-- Ft-Lb			Cable Entry	1.25
Temp Rise @ Full Load °C	--			Feet Removable	YES
Efficiency Level	IE3 - NEMA Premium			Double Drilled	NO
Load Data	RPM	Trq %FL	Current Amps	Rated Ambient (°C)	40
Locked Rotor	-	--	--	Rated Altitude (M)	1000
Breakdown	-	--	-	Coating	7024 - Graphite Grey
Pull Up	-	--	-	Shaft Grounding	YES
125% of FL	--	-	--	Brake Voltage (DC)	--
75% of FL	--	-	--	Brake Torque (N-M)	--
50% of FL	--	-	--	Mechanical Data	
No Load	--	-	--	Bearing DE Side	6311 C3
Hazardous Location	CL1 Div2 Grp A,B,C,D			Bearing NDE Side	6311 C3
				Moment of Inertia	-- kg.m2
				Noise Level	Per NEMA dB (A)
CT VFD Range		--		Loaded Torque Curves	
				P1 = INPUT POWER (KW), S = Slip (% of Sync RPM), η = Efficiency (%), cosφ = Power Factor	
Certifications	UL	CSA	DOE		
File Numbers	323353	224693	096A		
Wiring Diagram	3PH Single Voltage SD3				

FRAME: 286TSC | HP: | RPM: | PHASE: 3 | VOLT: 208 - 230/460V | ENCL: TEFC | FREQ: 60 Hz | FLA: | LRA:



**TECHTOP**  
 MATERIAL:  
 UNITS: INCH | BY: SSEE  
 DRAWN: 10/1/2018  
 WWW.TECHTOP.COM

MODEL NUMBER:	REV	BY	DATE	CHANGES
GR3-CI-TF-286TSC	1			
MFG PN:	2			
	3			
	4			
	5			
	6			
	7			