



Model Number SD3-286TS-2-BR-E-30-460-60

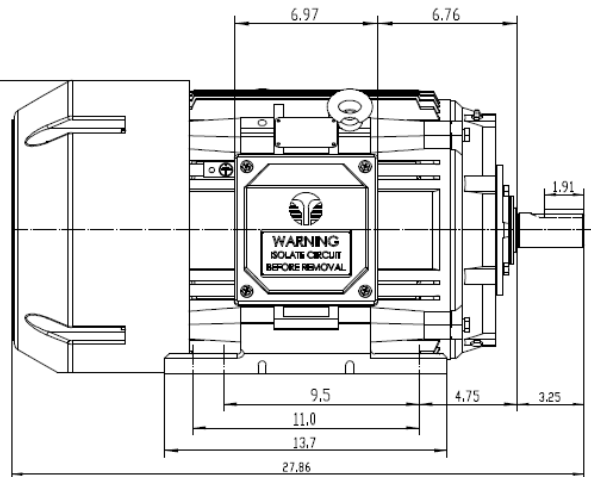
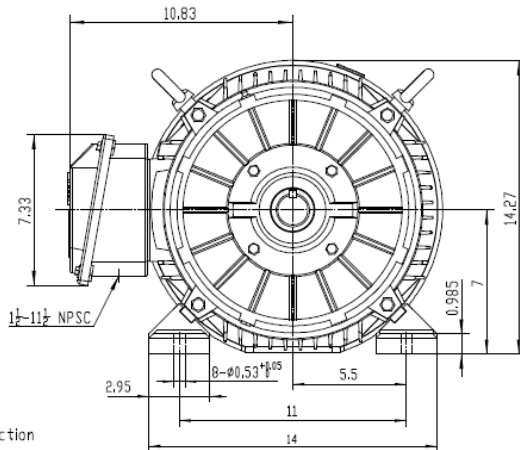
MFG PN T284TS30U2B

List Price --

All data shown at HIGH voltage setting

Format STD 3 Phase

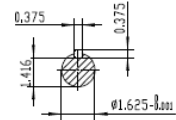
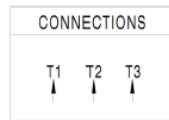
Electrical Data				General Data	
Rated Motor Output Power	30 HP			Frame Size	286
Rated Motor Speed	3530 r/min			Enclosure	TEFC
Rated Motor Voltage (3 Phase)	460-60 Volts - HZ			Approximate Weight	373.1
Rated Motor Current	33.7 Amps			NEMA Design	B
Service Factor	1.25			IP Rating	56
KVA Code	G			Insulation Class	F
Nominal Efficiency	91.7 %			Tropicalization	YES
Nominal Power Factor	0.91 cosθ			Duty	Cont.
Full Load Torque Ft-Lb	-- Ft-Lb			Cable Entry	1.25
Temp Rise @ Full Load °C	--			Feet Removable	YES
Efficiency Level	IE3 - NEMA Premium			Double Drilled	NO
Load Data	RPM	Trq %FL	Current Amps	Rated Ambient (°C)	40
Locked Rotor	-	--	--	Rated Altitude (M)	1000
Breakdown	-	--	-	Coating	7024 - Graphite Grey
Pull Up	-	--	-	Shaft Grounding	YES
125% of FL	--	-	--	Brake Voltage (DC)	--
75% of FL	--	-	--	Brake Torque (N-M)	--
50% of FL	--	-	--	Mechanical Data	
No Load	--	-	--	Bearing DE Side	6311 C3
Hazardous Location	CL1 Div2 Grp A,B,C,D			Bearing NDE Side	6311 C3
				Moment of Inertia	-- kg.m2
				Noise Level	Per NEMA dB (A)
CT VFD Range		--		Loaded Torque Curves	
				P1 = INPUT POWER (KW), S = Slip (% of Sync RPM), η = Efficiency (%), cosφ = Power Factor	
Certifications	UL	CSA	DOE		
File Numbers	323353	224693	096A		
Wiring Diagram	3PH Single Voltage SD3				



NOTES:

1. All Cast Iron Construction
2. Design B
3. IP55 Labyrinth seals on DE and ODE
4. H Class Insulation System
5. Max Winding Temperature rise 80°C
6. Max bearing temperature rise 45°C for 4 pole and 50°C for 2 pole motors when direct coupled.
7. Regreasable bearings
8. External Grounding provisions
9. Maximum foot flatness deviation .127 mm
10. Conductive Polymer Cooling Fan
11. Diagonally Split Conduit Box rotatable in 90° Increments
12. Lead seals in conduit box
13. Maximum no load sound power 85 dBA(2 pole),
Maximum no load sound power 70 dBA(4 pole),
Maximum no load sound power 64 dBA(6 pole).
14. No Load Motor Vibration not to exceed
a. Radial 60HZ - 2.03mm/s (2,4 pole) and 1.52mm/s (6 pole)
b. Axial 60HZ - 1.52mm/s
15. 300 series Stainless Steel hardware
16. Epoxy Coating meeting ASTM B117-97 for 96 h
17. All internal surfaces coated with anti-corrosion coating.
18. Internal Shaft Grounding brush installed on drive end.
19. No Load test report included with motor

TECHTOP IEEE 841		SEVERE DUTY ELECTRIC MOTOR	
MODEL	SD3-286TS-2-BR-E-30	TECHTOP COM	T 286TS30U2B
NEMA	30	MFG PN	1603102031
HP	30	SER #	0688002
RPM	3530	DATE	
VOLT(3Ø)	460	DESIGN	B
FLA	33.7	FRAME	286T
SF	1.25	ENCL	TEFC
KVA CODE	G	IP	55
NOM.EFF	0.917	DUTY	Cont.
BEARING SIZE		INS CL	H
ARC ARRESTOR		AMB	40 °C
VFD 15:1 CT-1.0 SF		WEIGHT	404 lbs
		MADE IN CHINA	



 ShangHai HIMAK Electrical Machinery CO., LTD		NEMA TEFC 286TS-30HP-2P	
		IEEE-841 UNITS:INCH	
Design	Standard	NO:	CY256.A20.004
Checker	Allow	STEP MARK	1:4.5
Auditing	Date	SORT	Cast iron Motor