



Model Number

SD3-286TC-6-BR-E-20-460-60

MFG PN

T286T20U6B

List Price

--

All data shown at HIGH voltage setting

Format STD 3 Phase

**Electrical Data**

**General Data**

Rated Motor Output Power	20 HP	Frame Size	286
Rated Motor Speed	1180 r/min	Enclosure	TEFC
Rated Motor Voltage (3 Phase)	460-60 Volts - HZ	Approximate Weight	430
Rated Motor Current	26.9 Amps	NEMA Design	B
Service Factor	1.25	IP Rating	56
KVA Code	G	Insulation Class	F
Nominal Efficiency	91.7 %	Tropicalization	YES
Nominal Power Factor	0.76 cosθ	Duty	Cont.
Full Load Torque Ft-Lb	121.22 Ft-Lb	Cable Entry	1.25
Temp Rise @ Full Load °C	56.2	Feet Removable	YES
Efficiency Level	IE3 - NEMA Premium	Double Drilled	NO

Load Data	RPM	Trq %FL	Current Amps	Rated Ambient (°C)	40
Locked Rotor	-	217	144.4	Rated Altitude (M)	1000
Breakdown	-	213	-	Coating	7024 - Graphite Grey
Pull Up	-	209	-	Shaft Grounding	YES
125% of FL	1174	-	33.53	Brake Voltage (DC)	--
75% of FL	1187	-	21.02	Brake Torque (N-M)	--
50% of FL	1192	-	16.34	<b>Mechanical Data</b>	
No Load	1194	-	11.26	Bearing DE Side	6311 C3

Hazardous Location	CL1 Div2 Grp A,B,C,D	Moment of Inertia	-- kg.m2
		Noise Level	Per NEMA dB (A)
		<b>Loaded Torque Curves</b>	
		--	

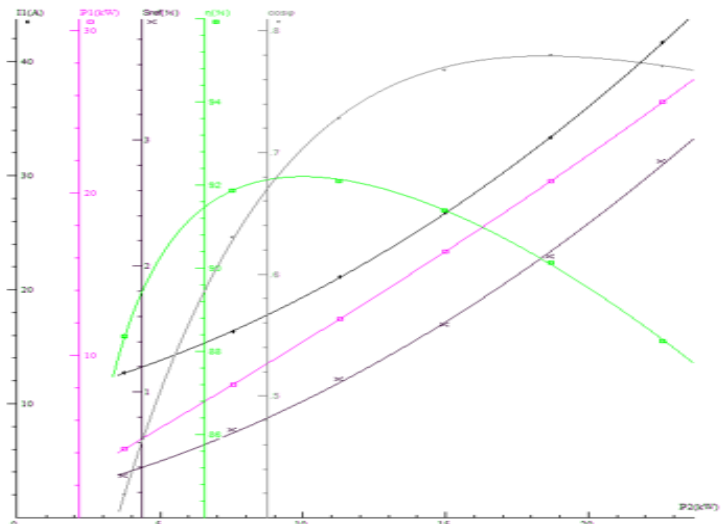
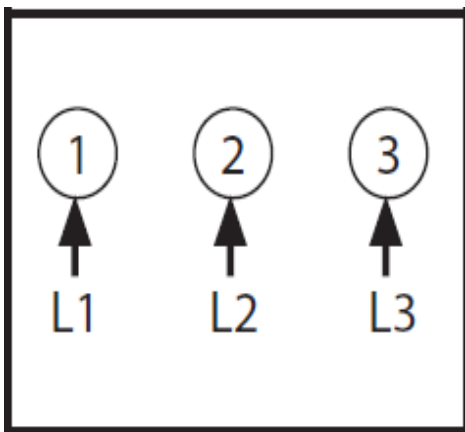
CT VFD Range

--

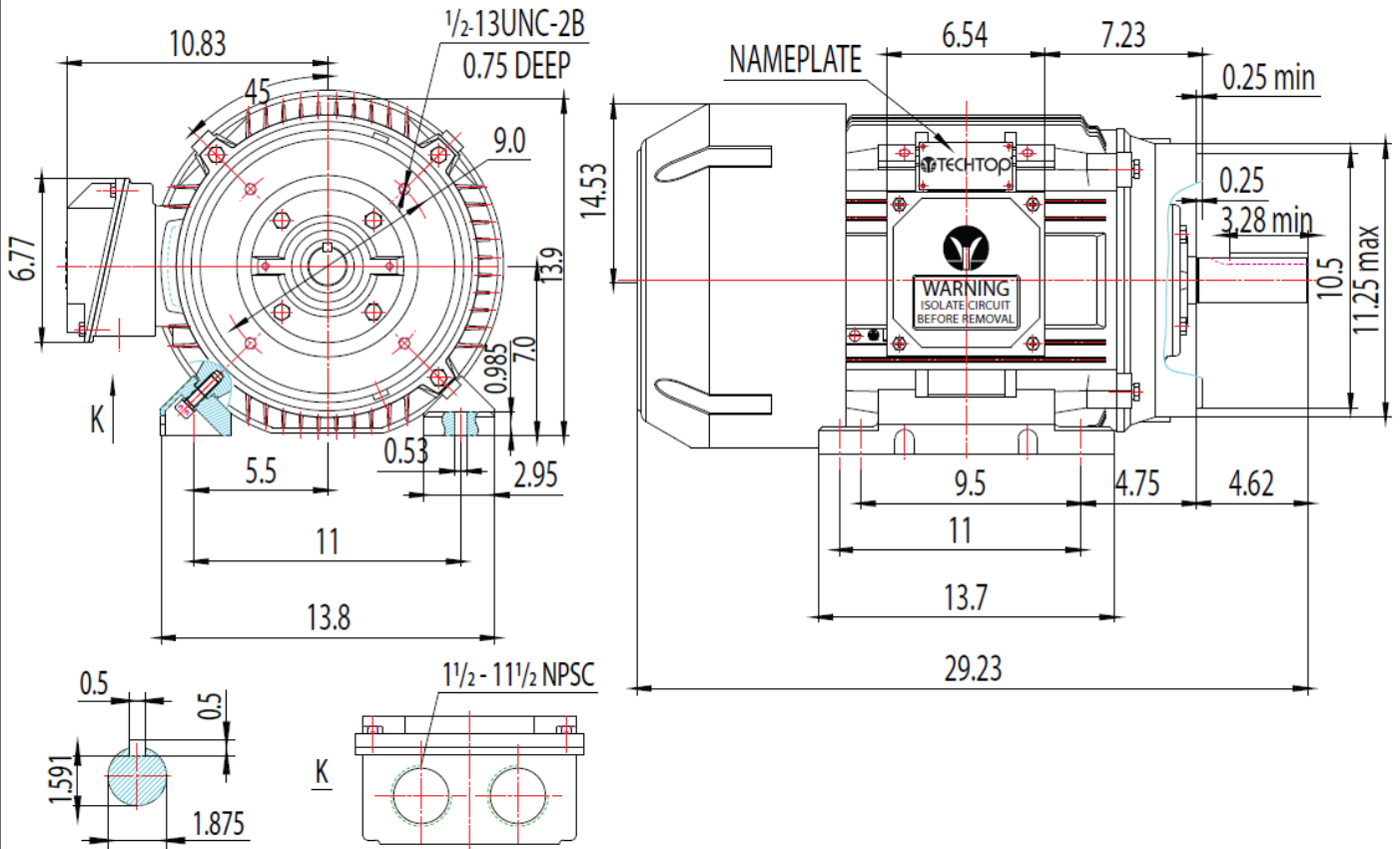
P1 = INPUT POWER (KW), S = Slip (% of Sync RPM), η = Efficiency (%), cosφ = Power Factor

Certifications	UL	CSA	DOE
File Numbers	323353	224693	096A

Wiring Diagram 3PH Single Voltage SD3



FRAME: 286TC | HP: | RPM: | PHASE: 3 | VOLT: 208 - 230/460V | ENCL: TEFC | FREQ: 60 Hz | FLA: | LRA:



MODEL NUMBER:  
GR3-CI-TF-286TC

REV.	BY	DATE
1		
2		
3		
4		
5		
6		
7		

CHANGES

MATERIAL:  
UNITS: INCH | BY: SSEE  
DRAWN: 7/25/2018  
WWW.TECHTOP.COM