



Model Number

SD3-286TC-4-BR-E-30-460-60

MFG PN

T286T30U4B

List Price

--

All data shown at HIGH voltage setting

Format STD 3 Phase

Electrical Data

General Data

Rated Motor Output Power	30 HP	Frame Size	286
Rated Motor Speed	1770 r/min	Enclosure	TEFC
Rated Motor Voltage (3 Phase)	460-60 Volts - HZ	Approximate Weight	418
Rated Motor Current	35.3 Amps	NEMA Design	B
Service Factor	1.25	IP Rating	56
KVA Code	G	Insulation Class	F
Nominal Efficiency	93.6 %	Tropicalization	YES
Nominal Power Factor	0.85 cosθ	Duty	Cont.
Full Load Torque Ft-Lb	119.17 Ft-Lb	Cable Entry	1.25
Temp Rise @ Full Load °C	62	Feet Removable	YES
Efficiency Level	IE3 - NEMA Premium	Double Drilled	NO

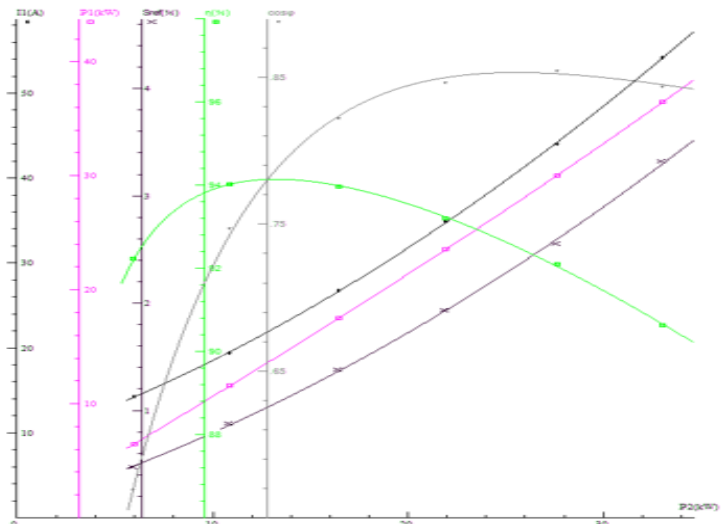
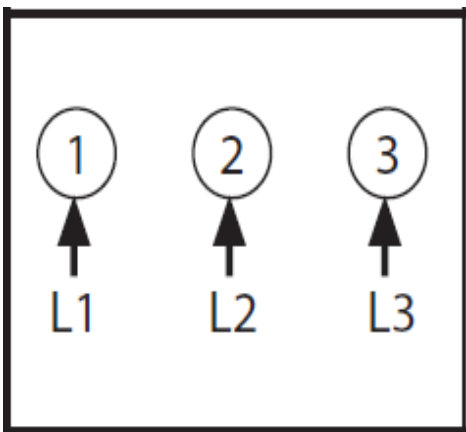
Load Data	RPM	Trq %FL	Current Amps		
Locked Rotor	-	182	203.6	Rated Ambient (°C)	40
Breakdown	-	226	-	Rated Altitude (M)	1000
Pull Up	-	143	-	Coating	7024 - Graphite Grey
125% of FL	1754	-	43.96	Shaft Grounding	YES
75% of FL	1775	-	26.73	Brake Voltage (DC)	--
50% of FL	1784	-	19.69	Brake Torque (N-M)	--
No Load	1798	-	11.33	Mechanical Data	

Hazardous Location	CL1 Div2 Grp A,B,C,D	Bearing DE Side	6311 C3
		Bearing NDE Side	6311 C3
		Moment of Inertia	-- kg.m2
		Noise Level	Per NEMA dB (A)

CT VFD Range	--	Loaded Torque Curves	--
<p>P1 = INPUT POWER (KW), S = Slip (% of Sync RPM), η = Efficiency (%), cosφ = Power Factor</p>			

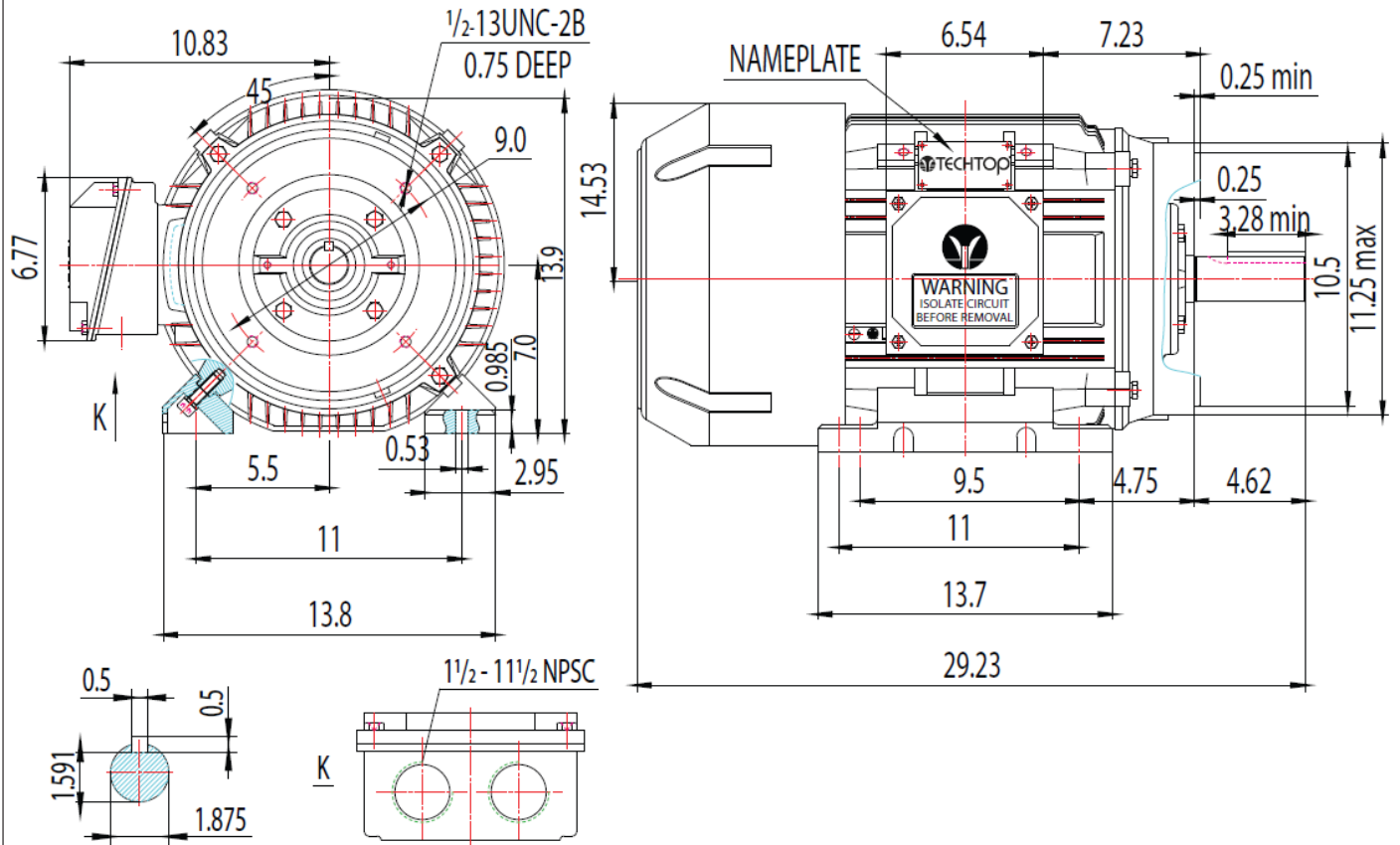
Certifications	UL	CSA	DOE
File Numbers	323353	224693	096A

Wiring Diagram 3PH Single Voltage SD3



Model Number	SD3-286TC-4-BR-E-30-460-60
MFG PN	T286T30U4B
List Price	--
Base Frame	SD-286TC-CI-TF

FRAME: 286TC | HP: | RPM: | PHASE: 3 | VOLT: 208 - 230/460V | ENCL: TEFC | FREQ: 60 Hz | FLA: | LRA:



TECHTOP
 MATERIAL:
 UNITS: INCH | BY: SSEE
 DRAWN: 7/25/2018
 WWW.TECHTOP.COM

MODEL NUMBER:	REV.	BY	DATE	CHANGES
GR3-CI-TF-286TC	1			
MFG PN:	2			
	3			
	4			
	5			
	6			
	7			