



Model Number SD3-284TSC-2-BR-E-25-460-60

MFG PN T284TS25U2B

List Price --

All data shown at HIGH voltage setting

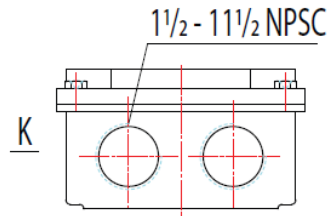
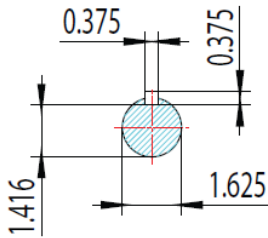
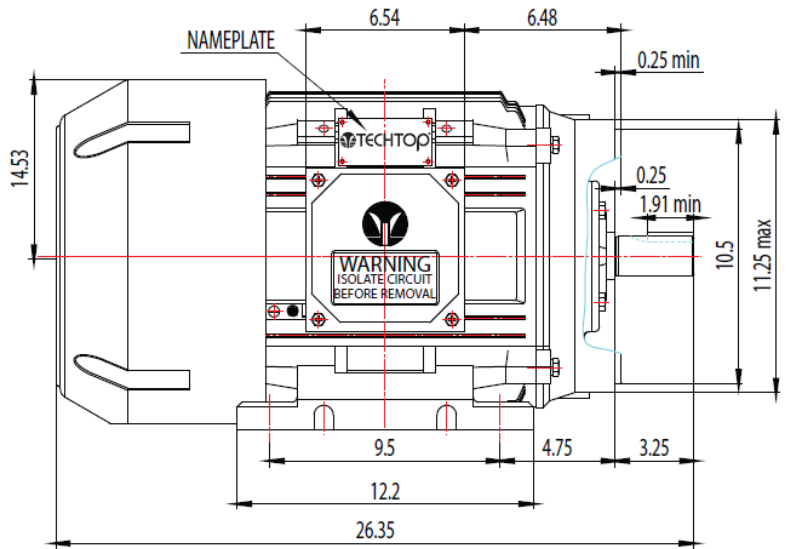
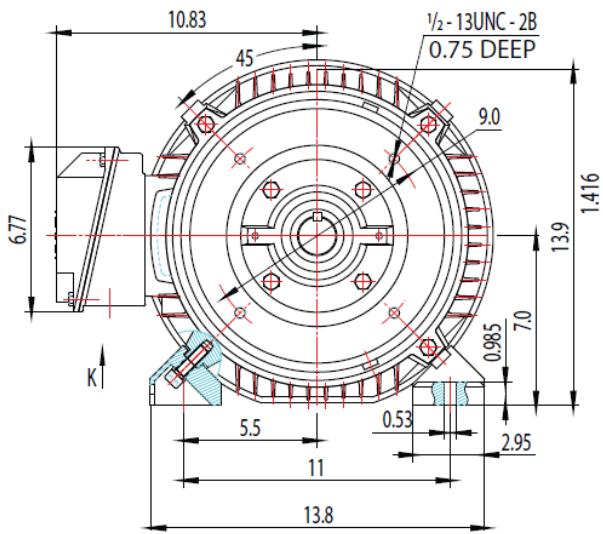
Format STD 3 Phase

Electrical Data				General Data	
Rated Motor Output Power	25 HP			Frame Size	284
Rated Motor Speed	1180 r/min			Enclosure	TEFC
Rated Motor Voltage (3 Phase)	460-60 Volts - HZ			Approximate Weight	363
Rated Motor Current	28.1 Amps			NEMA Design	B
Service Factor	1.25			IP Rating	56
KVA Code	E			Insulation Class	F
Nominal Efficiency	90.1 %			Tropicalization	YES
Nominal Power Factor	0.78 cosθ			Duty	Cont.
Full Load Torque Ft-Lb	49.31 Ft-Lb			Cable Entry	1.25
Temp Rise @ Full Load °C	64.4			Feet Removable	YES
Efficiency Level	IE3 - NEMA Premium			Double Drilled	NO
Load Data	RPM	Trq %FL	Current Amps	Rated Ambient (°C)	40
Locked Rotor	-	181	188.2	Rated Altitude (M)	1000
Breakdown	-	252	-	Coating	7024 - Graphite Grey
Pull Up	-	103	-	Shaft Grounding	YES
125% of FL	3526	-	32.12	Brake Voltage (DC)	--
75% of FL	3555	-	20.82	Brake Torque (N-M)	--
50% of FL	3571	-	14.54	Mechanical Data	
No Load	--	-	5.78	Bearing DE Side	6311 C3
Hazardous Location	CL1 Div2 Grp A,B,C,D			Bearing NDE Side	6311 C3
				Moment of Inertia	-- kg.m2
				Noise Level	Per NEMA dB (A)
CT VFD Range		--		Loaded Torque Curves	
				P1 = INPUT POWER (KW), S = Slip (% of Sync RPM), η = Efficiency (%), cosφ = Power Factor	
Certifications	UL	CSA	DOE		
File Numbers	323353	224693	096A		
Wiring Diagram	3PH Single Voltage SD3				



Model Number	SD3-284TSC-2-BR-E-25-460-60
MFG PN	T284TS25U2B
List Price	--
Base Frame	SD-284TSC-CI-TF

FRAME: 284TSC | HP: | RPM: | PHASE: 3 | VOLT: 208 - 230/460V | ENCL: TEFC | FREQ: 60 Hz | FLA: | LRA:



MODEL NUMBER:
GR3-CI-TF-284TSC
MFG PN:

REV.	BY	DATE
1		
2		
3		
4		
5		
6		
7		

CHANGES

MATERIAL:
UNITS: INCH | BY: SSEE
DRAWN: 7/25/2018
WWW.TECHTOP.COM