



Model Number SD3-256TC-6-BR-E-10-460-60

MFG PN T256T10U6B

List Price --

All data shown at HIGH voltage setting

Format STD 3 Phase

Electrical Data		General Data	
Rated Motor Output Power	10 HP	Frame Size	256
Rated Motor Speed	1175 r/min	Enclosure	TEFC
Rated Motor Voltage (3 Phase)	460-60 Volts - HZ	Approximate Weight	286.8
Rated Motor Current	13.5 Amps	NEMA Design	B
Service Factor	1.25	IP Rating	56
KVA Code	H	Insulation Class	F
Nominal Efficiency	91 %	Tropicalization	YES
Nominal Power Factor	0.76 cosθ	Duty	Cont.
Full Load Torque Ft-Lb	61.1 Ft-Lb	Cable Entry	1.25
Temp Rise @ Full Load °C	48.3	Feet Removable	YES
Efficiency Level	IE3 - NEMA Premium	Double Drilled	NO

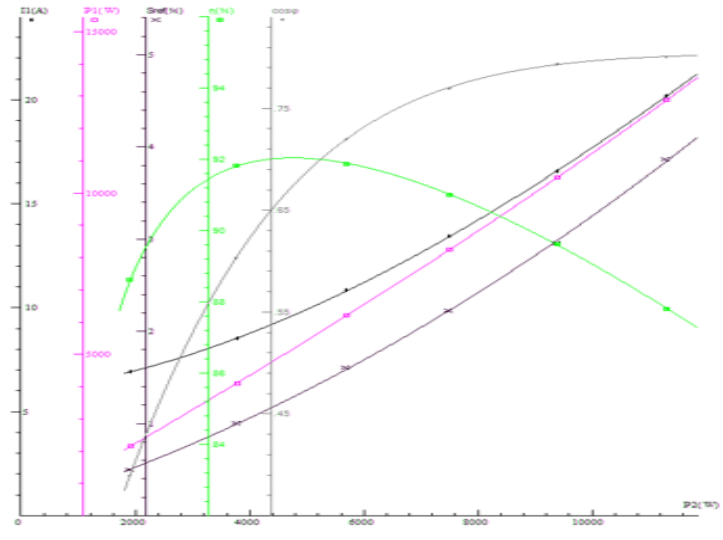
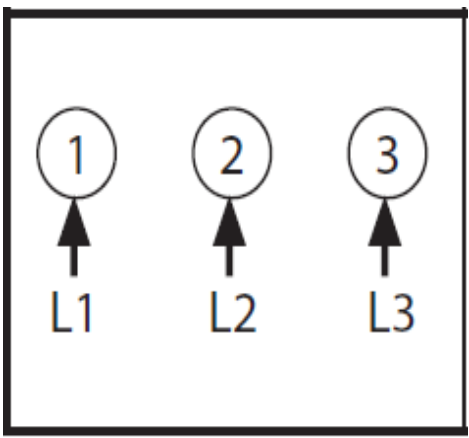
Load Data	RPM	Trq %FL	Current Amps	Mechanical Data	
Locked Rotor	-	190	88.15	Bearing DE Side	6309 C3
Breakdown	-	260	-	Bearing NDE Side	6309 C3
Pull Up	-	122	-	Moment of Inertia	-- kg.m2
125% of FL	1164	-	16.56	Noise Level	Per NEMA dB (A)
75% of FL	1181	-	10.71		
50% of FL	1188	-	8.51		
No Load	1197	-	6.34		

Hazardous Location	CL1 Div2 Grp A,B,C,D		
--------------------	----------------------	--	--

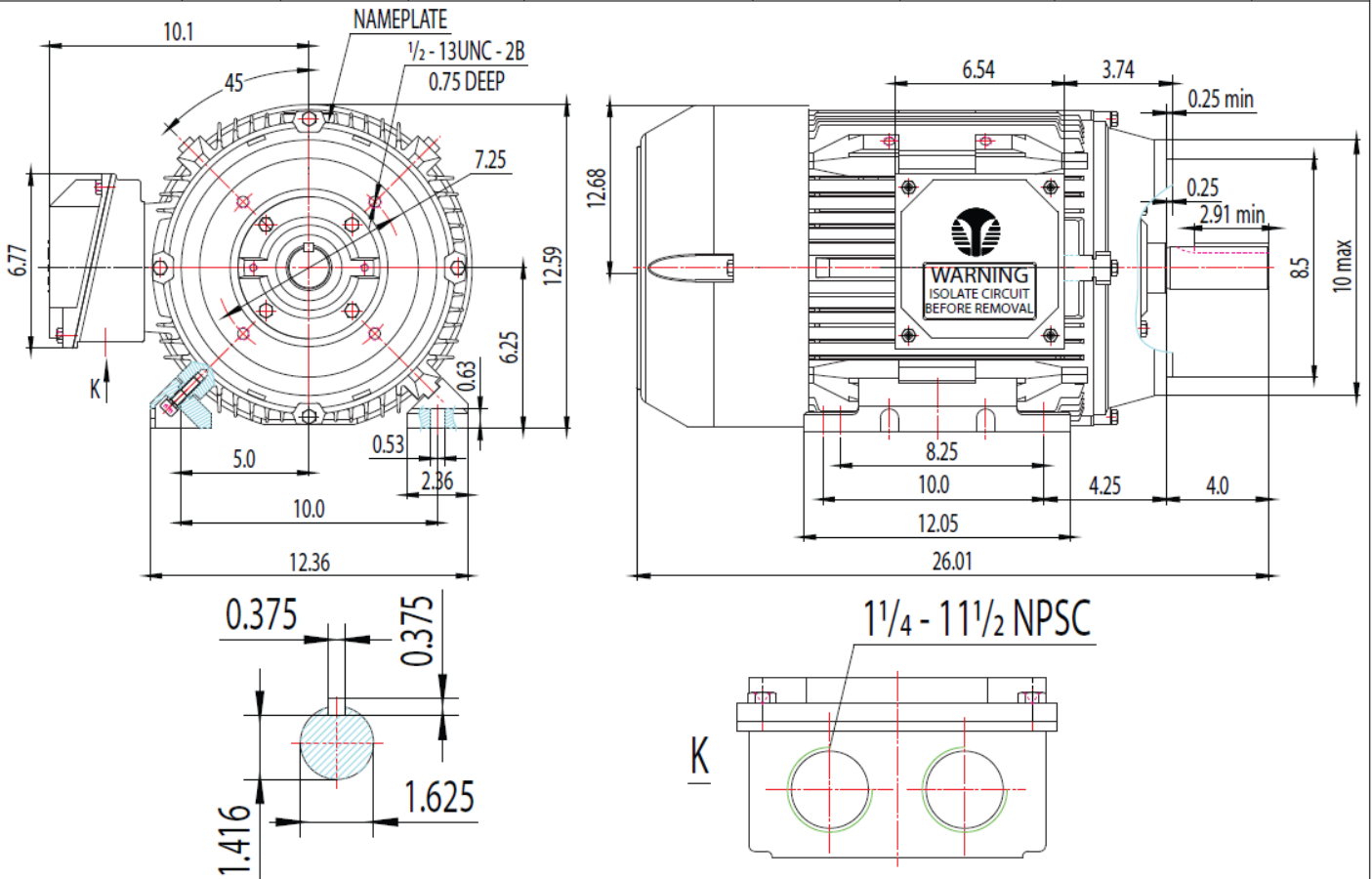
CT VFD Range	--	Loaded Torque Curves	
P1 = INPUT POWER (KW), S = Slip (% of Sync RPM), η = Efficiency (%), cosφ = Power Factor			

Certifications	UL	CSA	DOE
File Numbers	323353	224693	096A

Wiring Diagram 3PH Single Voltage SD3



FRAME: 256TC | HP: | RPM: | PHASE: 3 | VOLT: 208 - 230/460V | ENCL: TEFC | FREQ: 60 Hz | FLA: | LRA:



MODEL NUMBER:
GR3-CI-TF-256TC
MFG PN:

REV.	BY	DATE
1		
2		
3		
4		
5		
6		
7		

CHANGES

MATERIAL:
UNITS: INCH | BY: SSEE
DRAWN: 6/26/2018
WWW.TECHTOP.COM