



Model Number

SD3-256T-4-BR-E-20-460-60

MFG PN

T256T20U4B

List Price

--

All data shown at HIGH voltage setting

Format STD 3 Phase

**Electrical Data**

**General Data**

Rated Motor Output Power	20 HP	Frame Size	256
Rated Motor Speed	1770 r/min	Enclosure	TEFC
Rated Motor Voltage (3 Phase)	460-60 Volts - HZ	Approximate Weight	302.9
Rated Motor Current	22.9 Amps	NEMA Design	B
Service Factor	1.25	IP Rating	56
KVA Code	G	Insulation Class	F
Nominal Efficiency	93 %	Tropicalization	YES
Nominal Power Factor	0.88 cosθ	Duty	Cont.
Full Load Torque Ft-Lb	80.83 Ft-Lb	Cable Entry	1.25
Temp Rise @ Full Load °C	47.8	Feet Removable	YES
Efficiency Level	IE3 - NEMA Premium	Double Drilled	NO

Load Data	RPM	Trq %FL	Current Amps	Rated Ambient (°C)	40
Locked Rotor	-	185	146.7	Rated Altitude (M)	1000
Breakdown	-	260	-	Coating	7024 - Graphite Grey
Pull Up	-	127	-	Shaft Grounding	YES
125% of FL	1757	-	28.91	Brake Voltage (DC)	--
75% of FL	1777	-	17.38	Brake Torque (N-M)	--
50% of FL	1785	-	12.53	<b>Mechanical Data</b>	
No Load	1794	-	6.58	Bearing DE Side	6309 C3

Hazardous Location	CL1 Div2 Grp A,B,C,D	Moment of Inertia	-- kg.m2
		Noise Level	Per NEMA dB (A)
		<b>Loaded Torque Curves</b>	
		--	

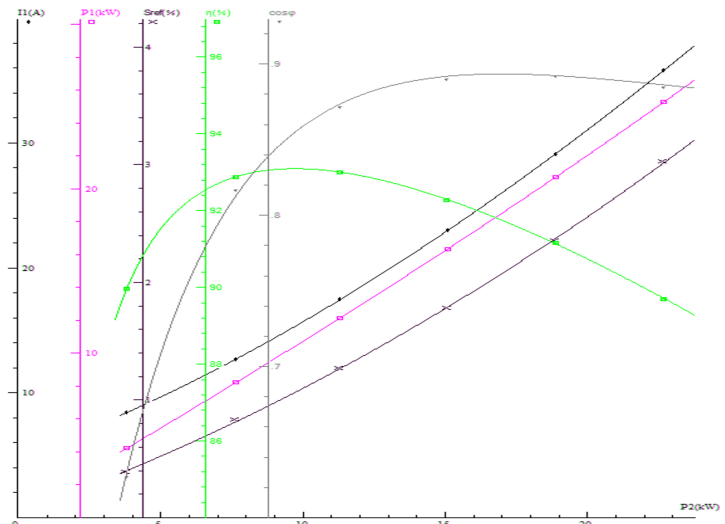
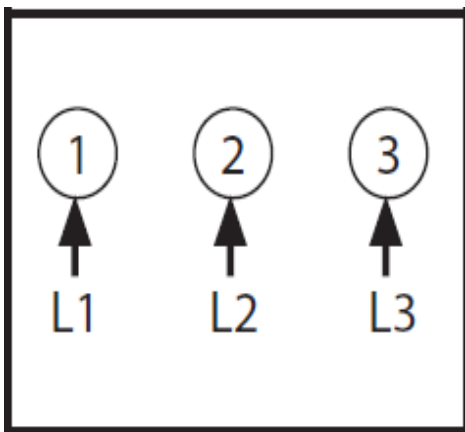
CT VFD Range

--

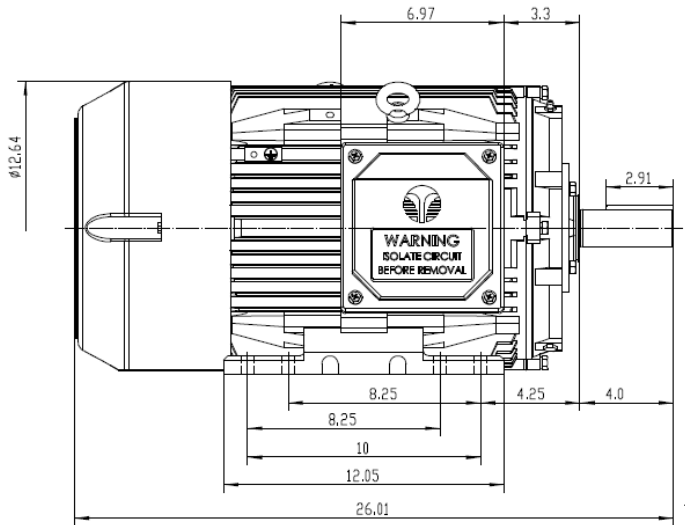
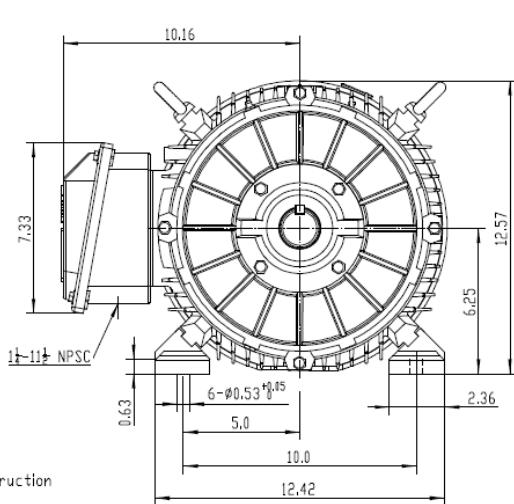
**P1 = INPUT POWER (KW), S = Slip (% of Sync RPM), η = Efficiency (%), cosφ = Power Factor**

Certifications	UL	CSA	DOE
File Numbers	323353	224693	096A

Wiring Diagram 3PH Single Voltage SD3



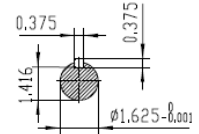
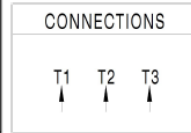
Model Number	SD3-256T-4-BR-E-20-460-60
MFG PN	T256T20U4B
List Price	--
Base Frame	SD-256T-CI-TF



**NOTES:**

- All Cast Iron Construction
- Design B
- IP55 Labyrinth seals on DE and ODE
- H Class Insulation System
- Max Winding Temperature rise 80°C
- Max bearing temperature rise 45°C for 4 pole and 50°C for 2 pole motors when direct coupled.
- Regreasable bearings
- External Grounding provisions
- Maximum foot flatness deviation .127 mm
- Conductive Polymer Cooling Fan
- Diagonally Split Conduit Box rotatable In 90° Increments
- Lead seals in conduit box
- Maximum no load sound power 85 dBA(2 pole), Maximum no load sound power 70 dBA(4 pole), Maximum no load sound power 64 dBA(6 pole).
- No Load Motor Vibration not to exceed
  - Radial 60HZ - 2.03mm/s (2,4 pole) and 1.52mm/s (6 pole)
  - Axial 60HZ - 1.52mm/s
- 300 series Stainless Steel hardware
- Epoxy Coating meeting ASTM B117-97 for 96 h
- All Internal surfaces coated with anti-corrosion coating.
- Internal Shaft Grounding brush installed on drive end.
- No Load test report Included with motor

<b>TECHTOP IEEE 841 SEVERE DUTY ELECTRIC MOTOR</b>	
MODEL SD3-256T-4-BR-E-10	TECHTOP.COM
NEMA 10 HP 10 50 Hz	MFG PN T256T10U6B
RPM 1175 960	SER # 1603102025
VOLT(3Ø) 460 380	DATE 0688002
FLA 13.5 16.5	DESIGN B
SF 1.25 1	FRAME 256T
KVA CODE H F	ENCL TEFC
NOM EFF 0.910	IP 55
BEARING SIZE TE 1608-03	INS CL H
ARC ARRESTOR	AMB 40 °C
VFD 15:1 CT-1.0 SF	WEIGHT 294.8 lbs
	MADE IN CHINA



 ShangHai HIMAK Electrical Machinery CO., LTD		NEMA TEFC 256T-10HP-6P	
		IEEE-841 UNITS:INCH	
Design	Standard	NO:	CY255.A20.006
Checker	Allow	STEP MARK	1:4 SORT Cast iron Motor
Auditing	Date		